



DOMO Series

Submersible pumps for solid-laden wastewater. Made in stainless steel, with mechanical seal and versions with twin-channel impeller, Vortex impeller, and grinder impeller.

Supplied with or without float switch.

SPECIFICATIONS

Delivery: up to 40 m³/h

Head: up to 14.5 m

Power supply: three-phase and single-phase 50 and 60 Hz
Power: 0.55 kW to 1.5 kW

Maximum immersion depth:
5 m

Temperature of pumped liquid:
0°C to +35°C (with pump totally immersed)

Shaft extension: Stainless steel

Liquids with suspended solids:
up to 35 mm (Domo 7-Domo 7VX)
up to 50 mm (Domo 10-15-20 and Domo10-15-20VX)

Version with grinder impeller (DOMO GRI)

Insulation class: F (motor dry)

Protection: IP68

Length of cable: 10 m
(except Domo 7, 5 m)

MATERIALS

Pump body, motor casing:
Stainless steel

DOMO 7 (VX) impeller: Reinforced nylon

DOMO 10-15-20 (VX) impeller:
Stainless steel

DOMO GRI impeller: Technopolymer PBT, stainless steel and high resistance Grinder.

Inner mechanical seal:



Silicon-carbide/Silicon-carbide
Lubricated by the DRIVELUB System.

Upper lip seal: NBR

Shaft extension: Stainless steel

Handle: Nylon

APPLICATIONS

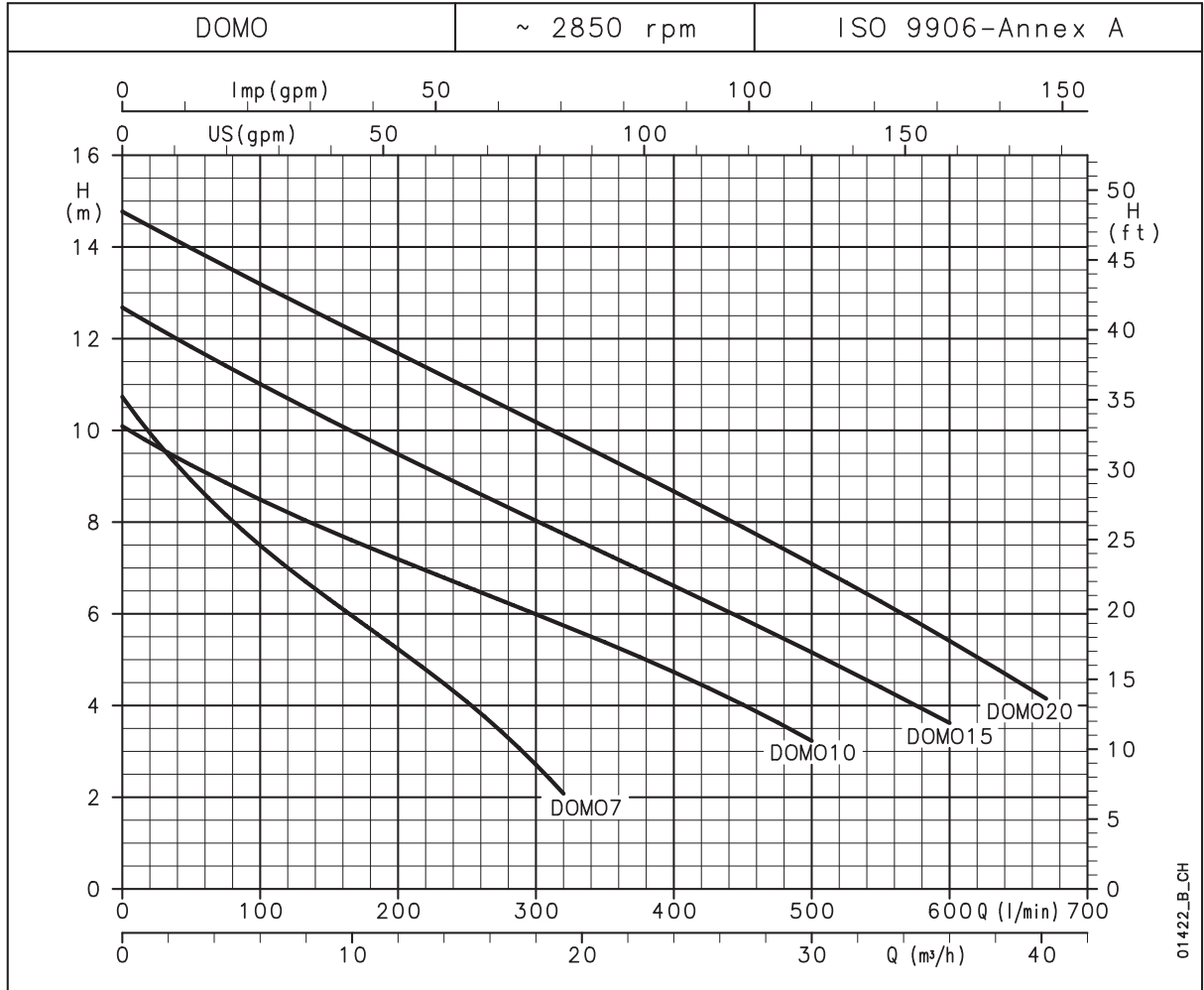
- Emptying of septic tanks and residential sumps
- Pumping of effluent (the VX version also pumps suspended filaments)
- Emptying of wells and tanks in industrial and ecological applications
- Emptying of tanks or reservoirs
- Emergency draining in flooded areas

For a complete list of technical information, consult www.lowara.com

Engineered for life



DOMO SERIES OPERATING CHARACTERISTICS AT 50 Hz



3



DOMO SERIES HYDRAULIC PERFORMANCE TABLE

PUMP TYPE	RATED POWER		Q = DELIVERY											
			l/min	0	100	150	200	250	300	320	400	500	600	670
	kW	HP	m ³ /h	0	6	9	12	15	18	19,2	24	30	36	40,2
H = TOTAL HEAD IN COLUMN OF WATER (METRES)														
DOMO 7(T)	0,55	0,75	10,7	7,5	6,3	5,2	4,1	2,7	2,1					
DOMO 10(T)	0,75	1	10,1	8,5	7,8	7,2	6,6	6,0	5,8	4,7	3,2			
DOMO 15(T)	1,1	1,5	12,7	11,0	10,2	9,5	8,8	8,0	7,8	6,6	5,2	3,6		
DOMO 20T	1,5	2	14,8	13,2	12,4	11,7	10,9	10,2	9,9	8,7	7,1	5,4	4,2	

These performances are valid for liquids with density $\rho = 1.0 \text{ kg/dm}^3$ and kinematic viscosity $\nu = 1 \text{ mm}^2/\text{s}$.

domo-2p50_a_th

ELECTRICAL DATA

PUMP TYPE	INPUT POWER*	INPUT CURRENT*	CAPACITOR
SINGLE-PHASE		220-240 V	
	kW	A	$\mu\text{F} / 450 \text{ V}$
DOMO 7	0,80	3,94	16
DOMO 10	1,14	5,84	22
DOMO 15	1,58	7,02	30
-	-	-	-

*Maximum value in specified range

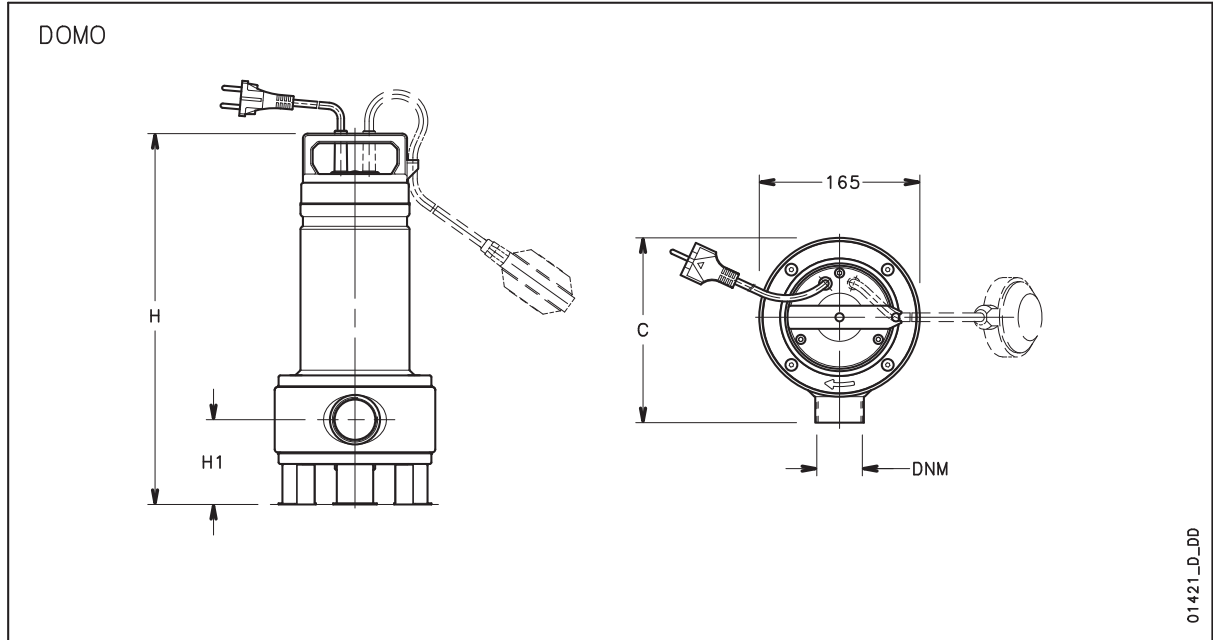
PUMP TYPE	INPUT POWER*	INPUT CURRENT*	INPUT CURRENT*
THREE-PHASE		220-240 V	380-415 V
	kW	A	A
DOMO 7T	0,73	2,58	1,49
DOMO 10T	1,09	4,09	2,36
DOMO 15T	1,49	4,73	2,73
DOMO 20T	1,96	6,6	3,81

domo-2p50_a_te



General Catalogue

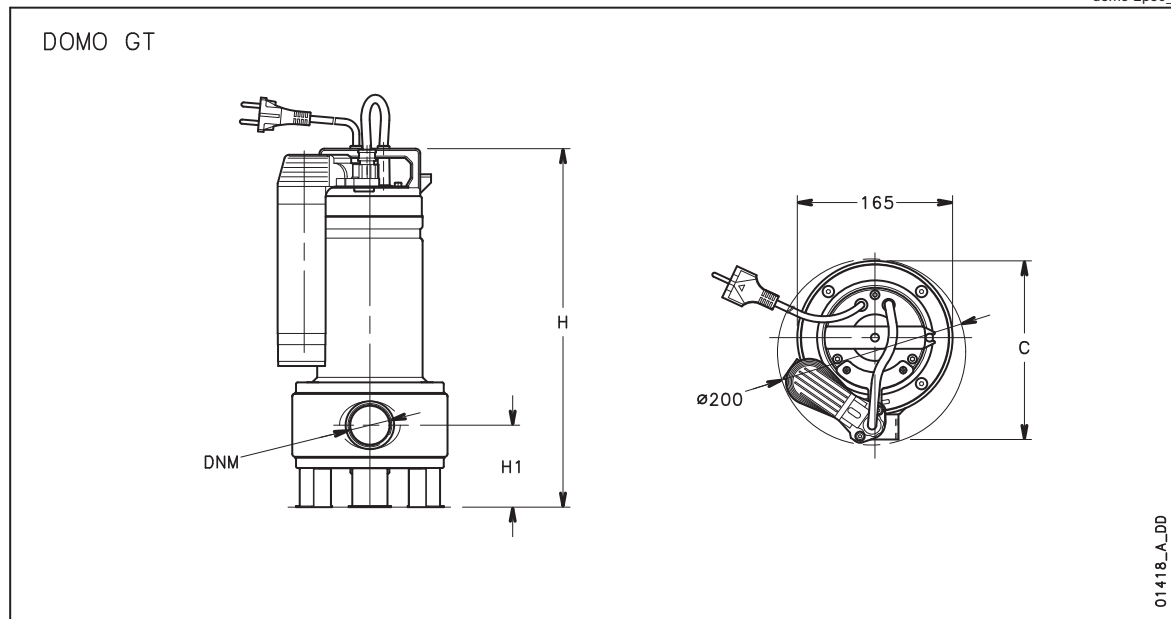
DOMO SERIES - DIMENSIONS AND WEIGHTS



PUMP TYPE SINGLE-PHASE		DIMENSIONS (mm)			DNM	WEIGHT kg
		H	H1	C		
DOMO 7	DOMO 7 GT	391	88	193	Rp1½	10,2
DOMO 7VX	DOMO 7VX GT	391	88	193	Rp1½	10,2
DOMO10	DOMO10 GT	468	111,5	198	Rp2	13,6
DOMO10VX	DOMO10VX GT	468	111,5	198	Rp2	13,6
DOMO15	DOMO15 GT	468	111,5	198	Rp2	15,3
DOMO15VX	DOMO15VX GT	468	111,5	198	Rp2	15,3
-	-	-	-	-	-	-

PUMP TYPE THREE-PHASE		DIMENSIONS (mm)			DNM	WEIGHT kg
		H	H1	C		
DOMO 7T	DOMO 7VXT	391	88	193	Rp1½	8,9
DOMO10T	DOMO10VXT	438	111,5	198	Rp2	11,6
DOMO15T	DOMO15VXT	468	111,5	198	Rp2	13,6
DOMO20T	DOMO20VXT	468	111,5	198	Rp2	14,6

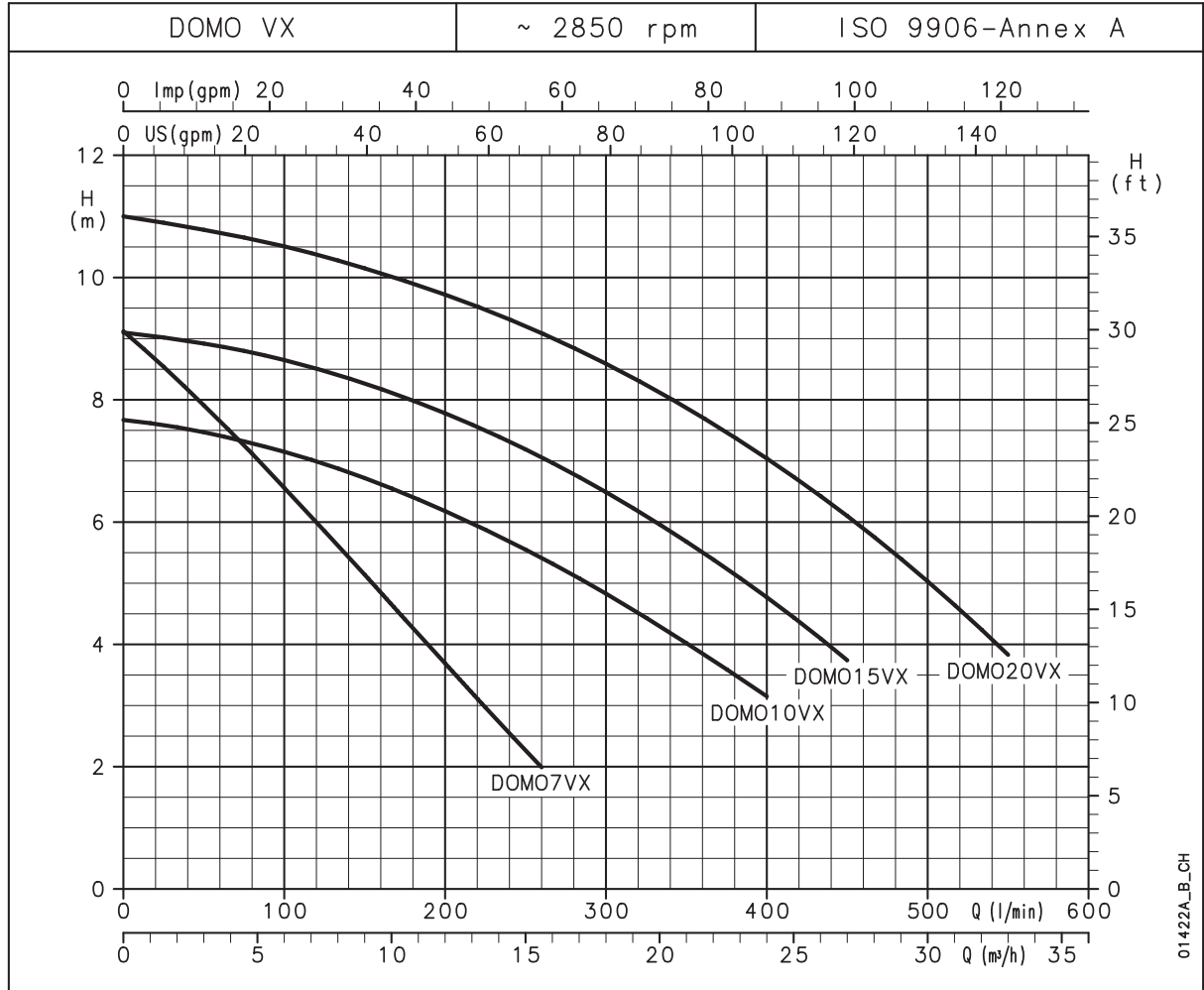
domo-2p50_c_td



Engineered for life



DOMO VX SERIES OPERATING CHARACTERISTICS AT 50 Hz





General Catalogue

DOMO VX SERIES HYDRAULIC PERFORMANCE TABLE

PUMP TYPE	RATED POWER		Q = DELIVERY											
			l/min	80	100	150	175	200	225	260	300	400	450	550
	kW	HP	m ³ /h	4,8	6	9	10,5	12	13,5	15,6	18	24	27	33
H = TOTAL HEAD IN COLUMN OF WATER (METRES)														
DOMO 7VX(T)	0,55	0,75	9,1	7,1	6,6	5,1	4,4	3,7	3,0	2,0				
DOMO 10VX(T)	0,75	1	7,7	7,3	7,1	6,7	6,5	6,2	5,9	5,4	4,8	3,1		
DOMO 15VX(T)	1,1	1,5	9,1	8,8	8,6	8,3	8,0	7,8	7,5	7,1	6,5	4,8	3,7	
DOMO 20VXT	1,5	2	11,0	10,6	10,5	10,2	9,9	9,7	9,5	9,1	8,6	7,0	6,1	3,8

These performances are valid for liquids with density $\rho = 1.0 \text{ kg/dm}^3$ and kinematic viscosity $\nu = 1 \text{ mm}^2/\text{s}$.

domovx-2p50_a_th

3

ELECTRICAL DATA

PUMP TYPE	INPUT POWER*	INPUT CURRENT*	CAPACITOR
SINGLE-PHASE		220-240 V	
	kW	A	$\mu\text{F} / 450 \text{ V}$
DOMO 7VX	0,79	3,91	16
DOMO 10VX	1,15	5,88	22
DOMO 15VX	1,36	6,11	30
-	-	-	-

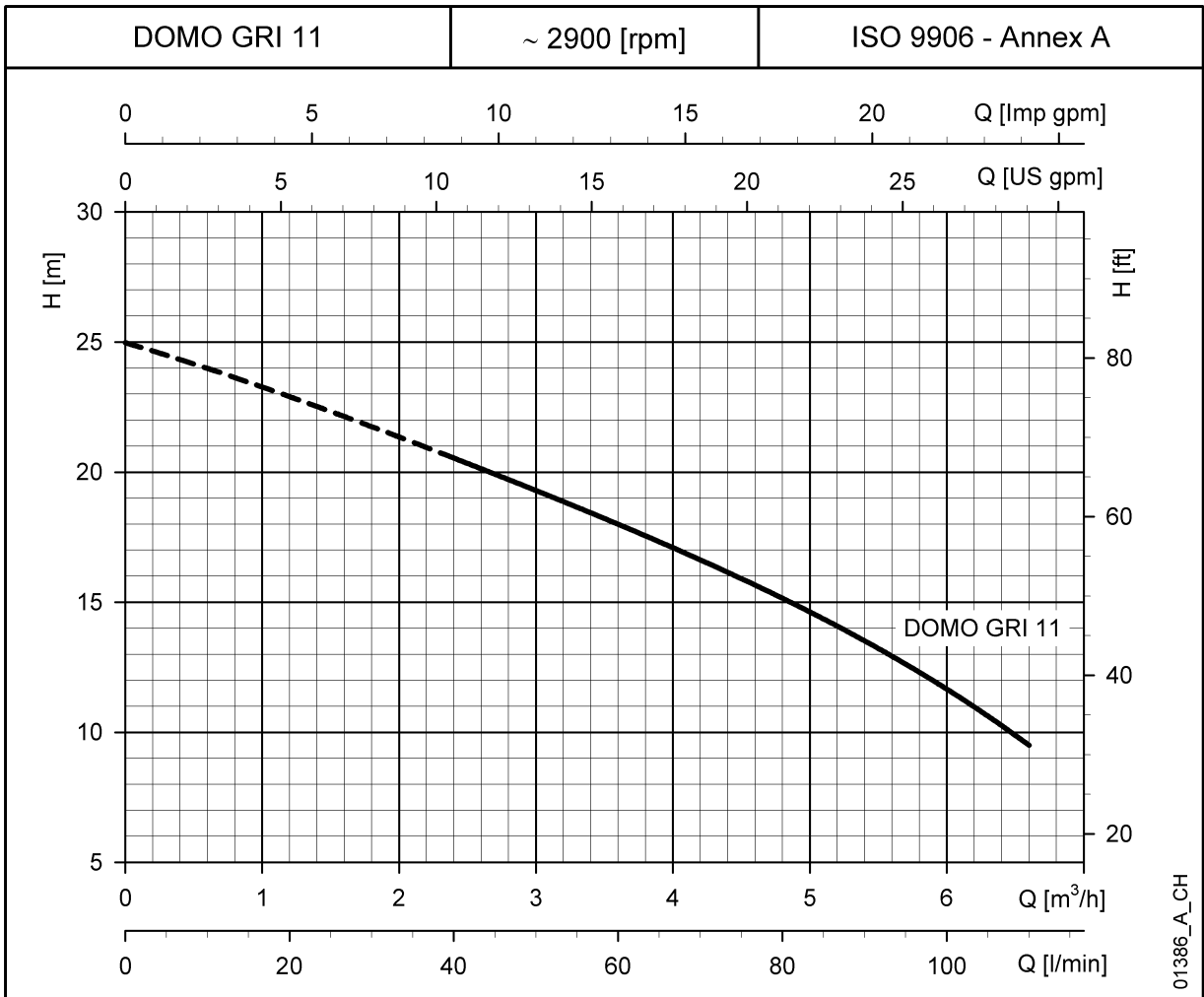
*Maximum value in specified range

PUMP TYPE	INPUT POWER*	INPUT CURRENT*	INPUT CURRENT*
THREE-PHASE		220-240 V	380-415 V
	kW	A	A
DOMO 7VXT	0,71	2,56	1,48
DOMO 10VXT	1,10	4,09	2,36
DOMO 15VXT	1,26	4,31	2,49
DOMO 20VXT	1,74	6,22	3,59

domovx-2p50_a_te



DOMO GRI SERIES OPERATING CHARACTERISTICS AT 50 Hz





General Catalogue

DOMO GRI SERIES HYDRAULIC PERFORMANCE TABLE

PUMP TYPE	RATED POWER		Q = DELIVERY											
			l/min	0	15	30	40	50	60	70	80	90	100	110
	kW	HP	m ³ /h	0	0,9	1,8	2,4	3	3,6	4,2	4,8	5,4	6	6,6
H = TOTAL HEAD METRES COLUMN OF WATER														
DOMO GRI 11 (SG)	1,1	1,5	25,0	23,5	21,7	20,5	19,3	18,0	16,6	15,2	13,5	11,7	9,5	
DOMO GRI 11 T														

These performances are valid for liquids with density $\rho = 1,0 \text{ kg/dm}^3$ and kinematic viscosity $\nu = 1 \text{ mm}^2/\text{s}$.

domo-gri-2p50-en_a_th

3

ELECTRICAL DATA

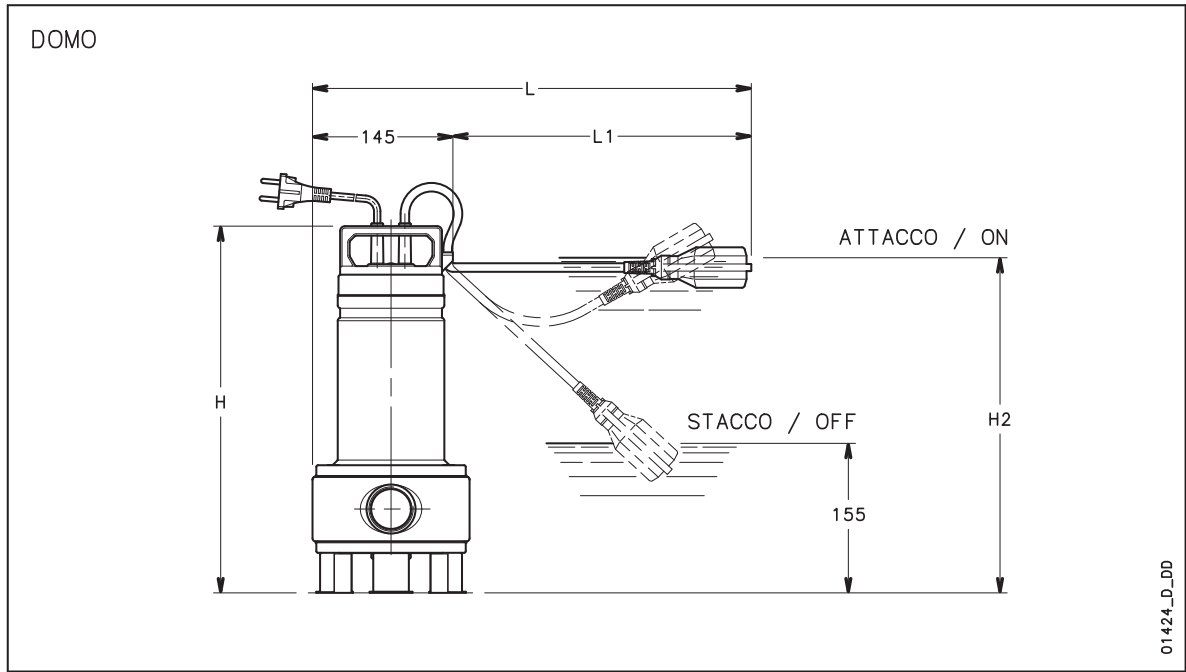
PUMP TYPE	RATED POWER*	ABSORBED CURRENT*	CAPACITOR	PUMP TYPE	RATED POWER*	ABSORBED CURRENT*	ABSORBED CURRENT*
SINGLE-PHASE	kW	220-240 V A	$\mu\text{F} / 450 \text{ V}$	THREE-PHASE	kW	220-240 V A	380-415 V A
DOMO GRI 11 (SG)	1,50	6,84	30	DOMO GRI 11 T	1,39	4,55	2,63

* Maximum value in specified range

domo-gri-2p50-en_b_te

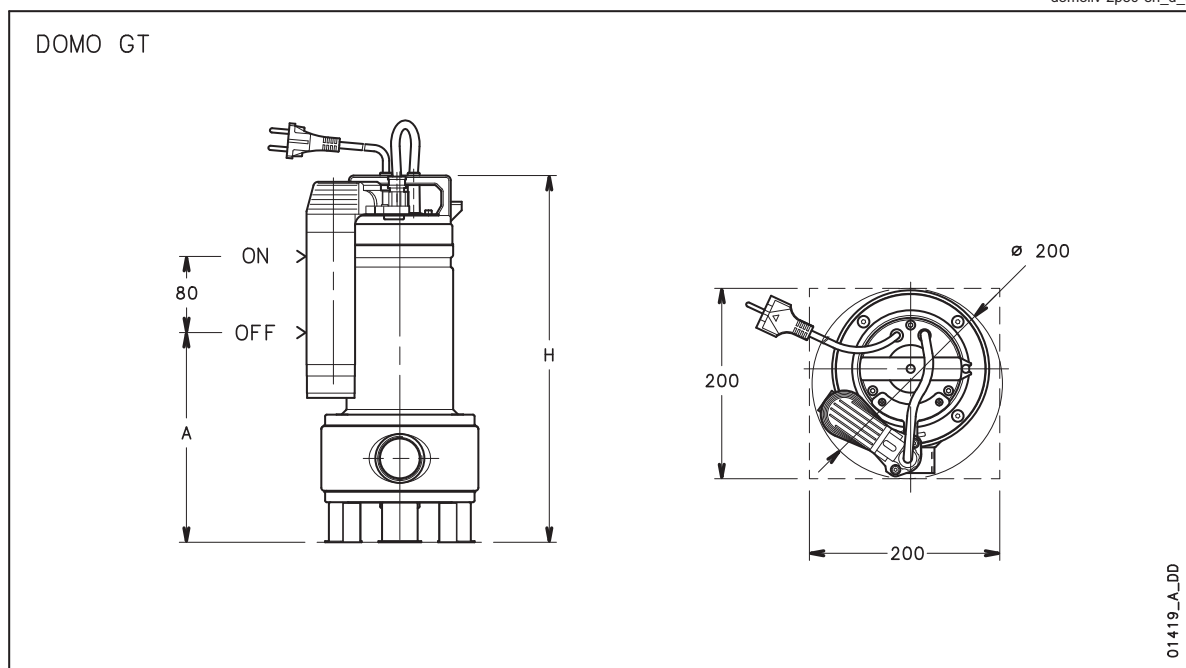


DOMO SERIES – INSTALLATION EXAMPLES



PUMP TYPE		DIMENSIONS (mm)						
		H	H2	H3	L	L1	L2	A
DOMO 7 - DOMO 7 GT	DOMO 7VX - DOMO 7VX GT	391	375	155	420	275	145	225
DOMO10 - DOMO10 GT	DOMO10VX - DOMO10VX GT	468	420	155	495	350	145	255
DOMO15 - DOMO15 GT	DOMO15VX - DOMO15VX GT	468	420	155	495	350	145	255
DOMO GRI 11	-	446	400	135	508	350	158	-

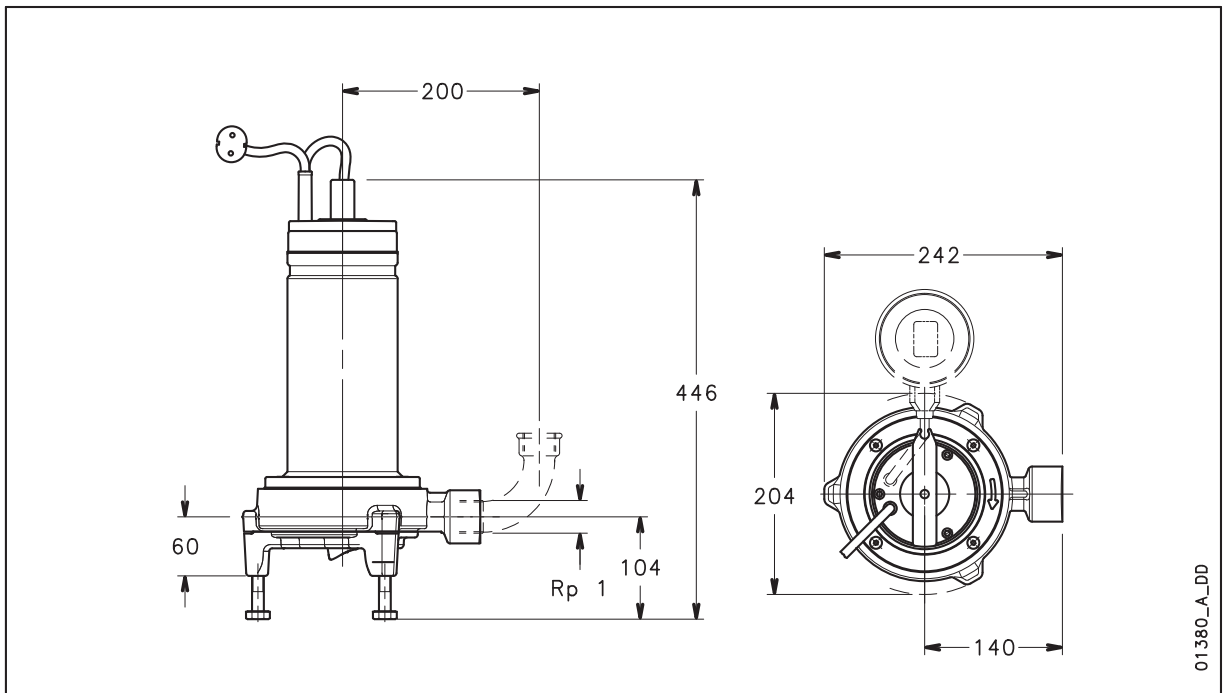
domoliv-2p50-en_d_td



Engineered for life



DOMO GRI SERIES DIMENSIONS AND WEIGHTS



3

PUMP TYPE	WEIGHT kg
DOMO GRI 11 (SG)	19 (18,8)
DOMO GRI 11 T	18,3

domo-gri-en_a_td



INSTALLATIONS EXAMPLES

