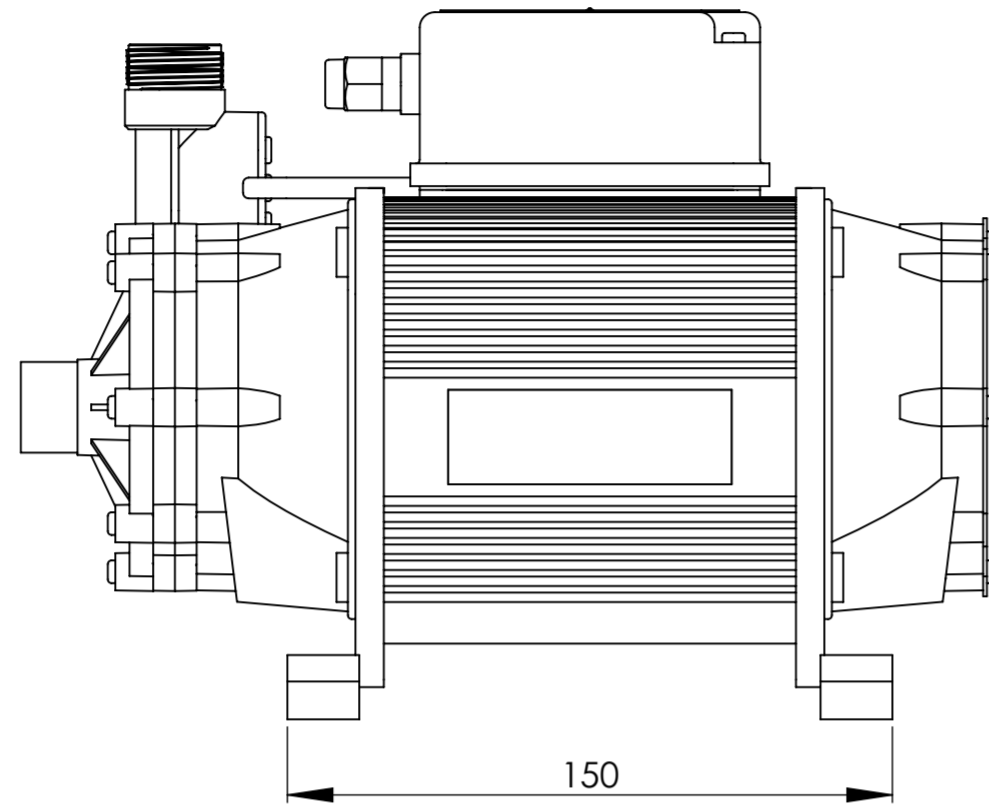
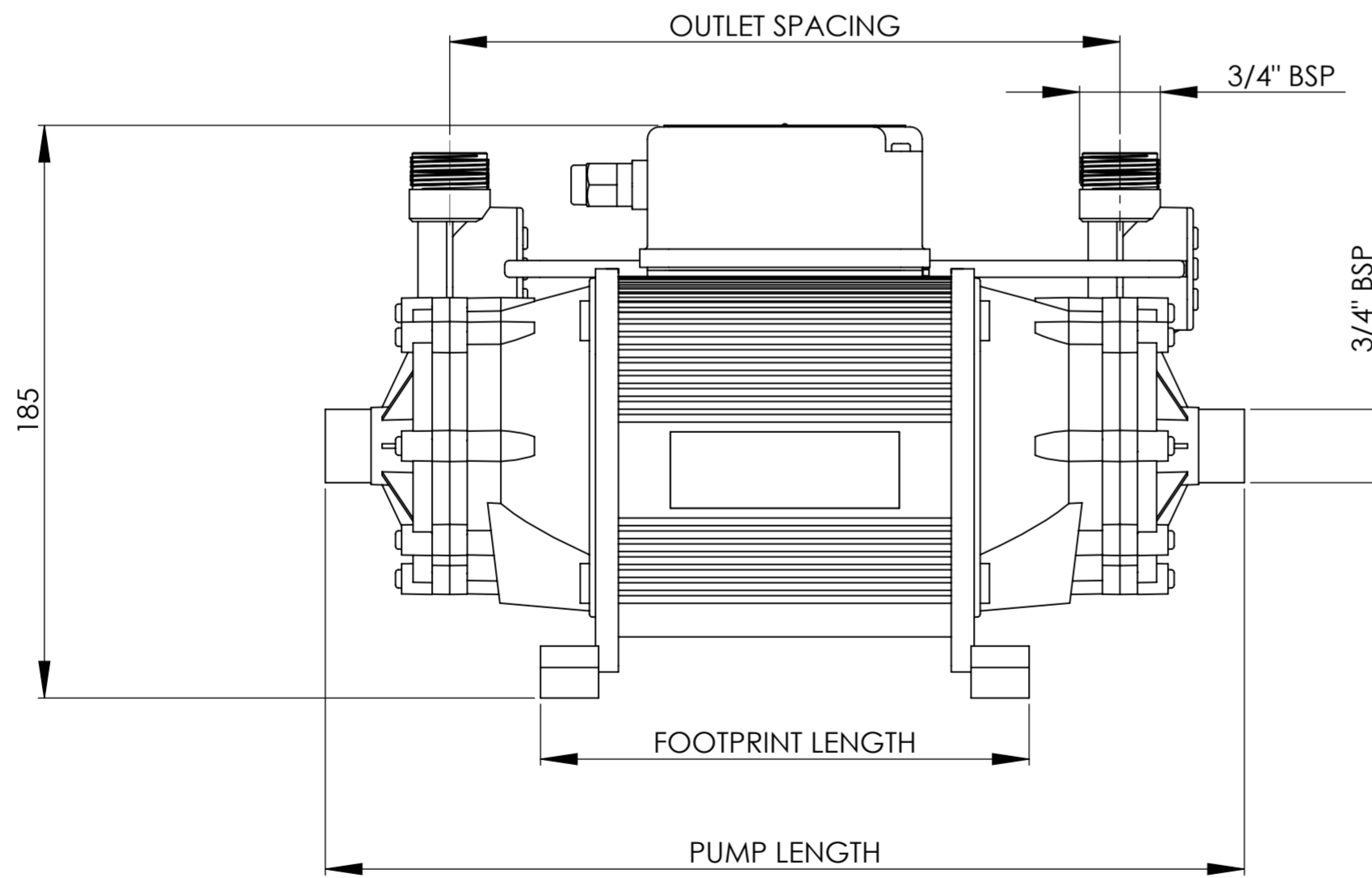
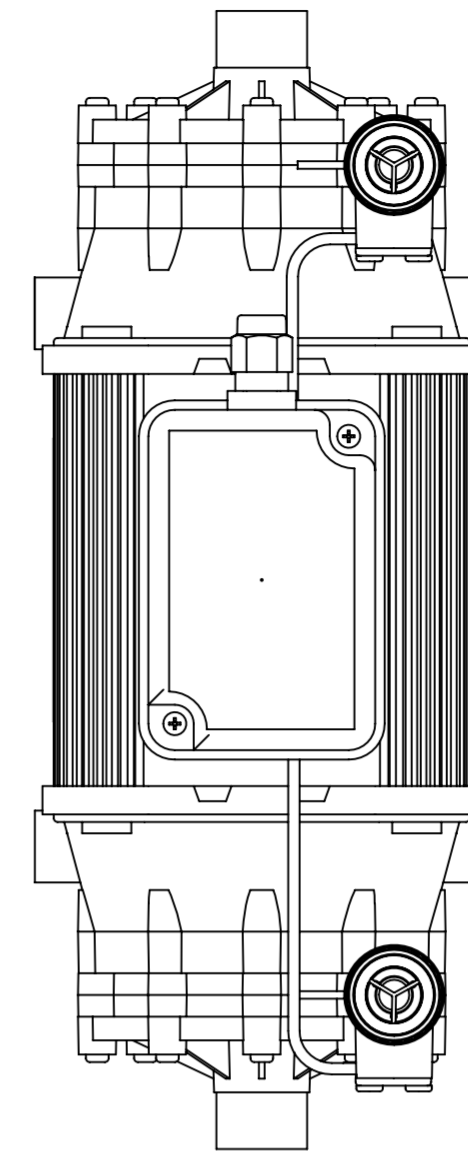


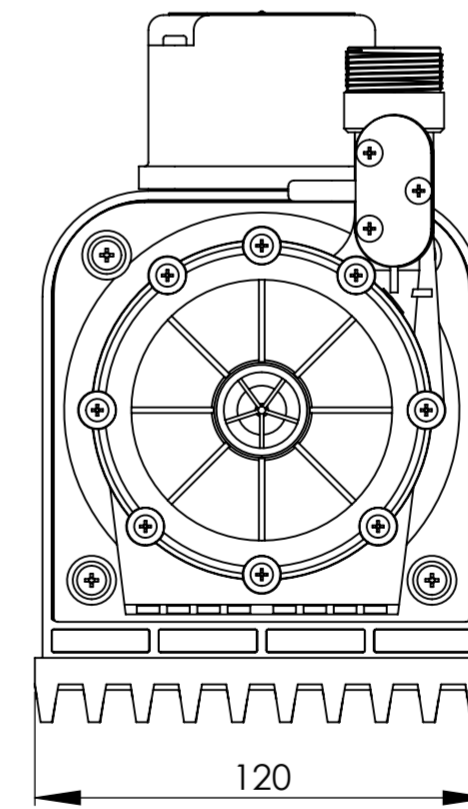
THIRD ANGLE PROJECTION



**SINGLE IMPELLER PUMP -  
SSL-1.4 C**



**TWIN IMPELLER PUMPS -  
STL-1.0 C  
STL-1.5 C  
STL-2.0 C**



MODEL	FOOTPRINT LENGTH	PUMP LENGTH	OUTLET SPACING
STL-1.0 C	150	275	193
STL-1.5 C	150	275	193
STL-2.0 C	162	287	205

UNLESS OTHERWISE SPECIFIED: DIMENSIONS ARE IN MILLIMETERS SURFACE FINISH: TOLERANCES: LINEAR: X= ±0.3; 0.X ±0.2; 0.XX=±0.1 ANGULAR: ±0.5 DEG				DO NOT SCALE DRAWING		<b>WATERMILL</b> A GRUNDFOS COMPANY Gemini House, Enterprise Way, Edenbridge. Kent. TN8 6HF.	
DRAWN: R.P.		SIGNATURE:		DATE: 12/12/07		MATERIAL:	
CHK'D:		WEIGHT:		SCALE:		TITLE: LOW VOLTAGE CENTRIFUGAL PUMP - LINE DRAWING - WITHOUT HOSES DWG NO. 9020 SHEET 1 OF 1	

01	ORIGINAL ISSUE	12/12/07	
ISSUE	MODIFICATION	DATE	ECR No.