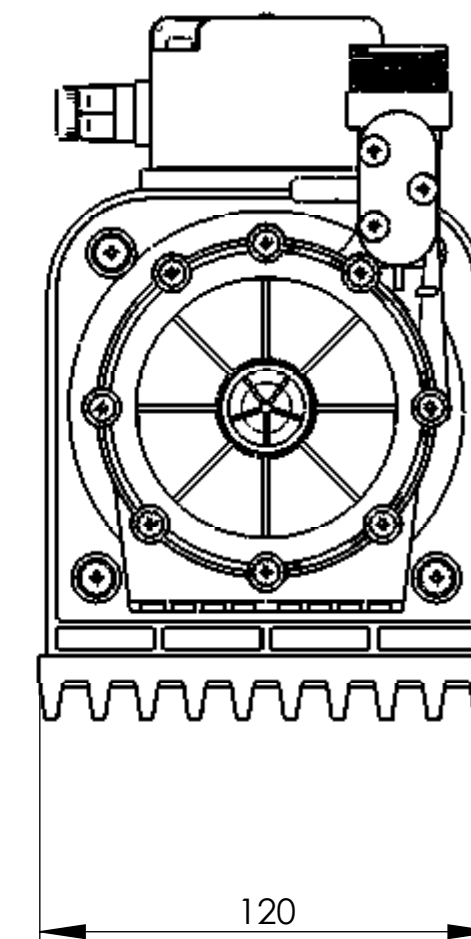
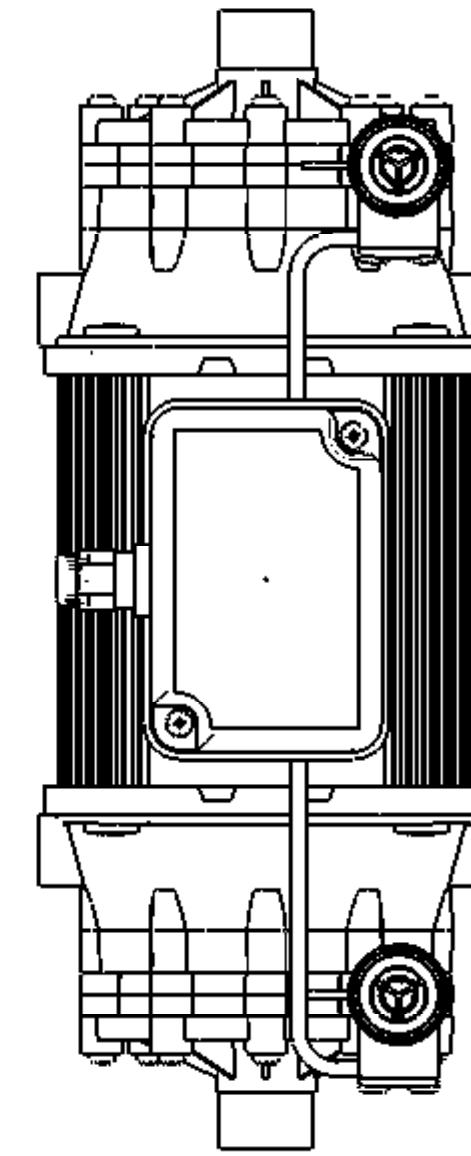
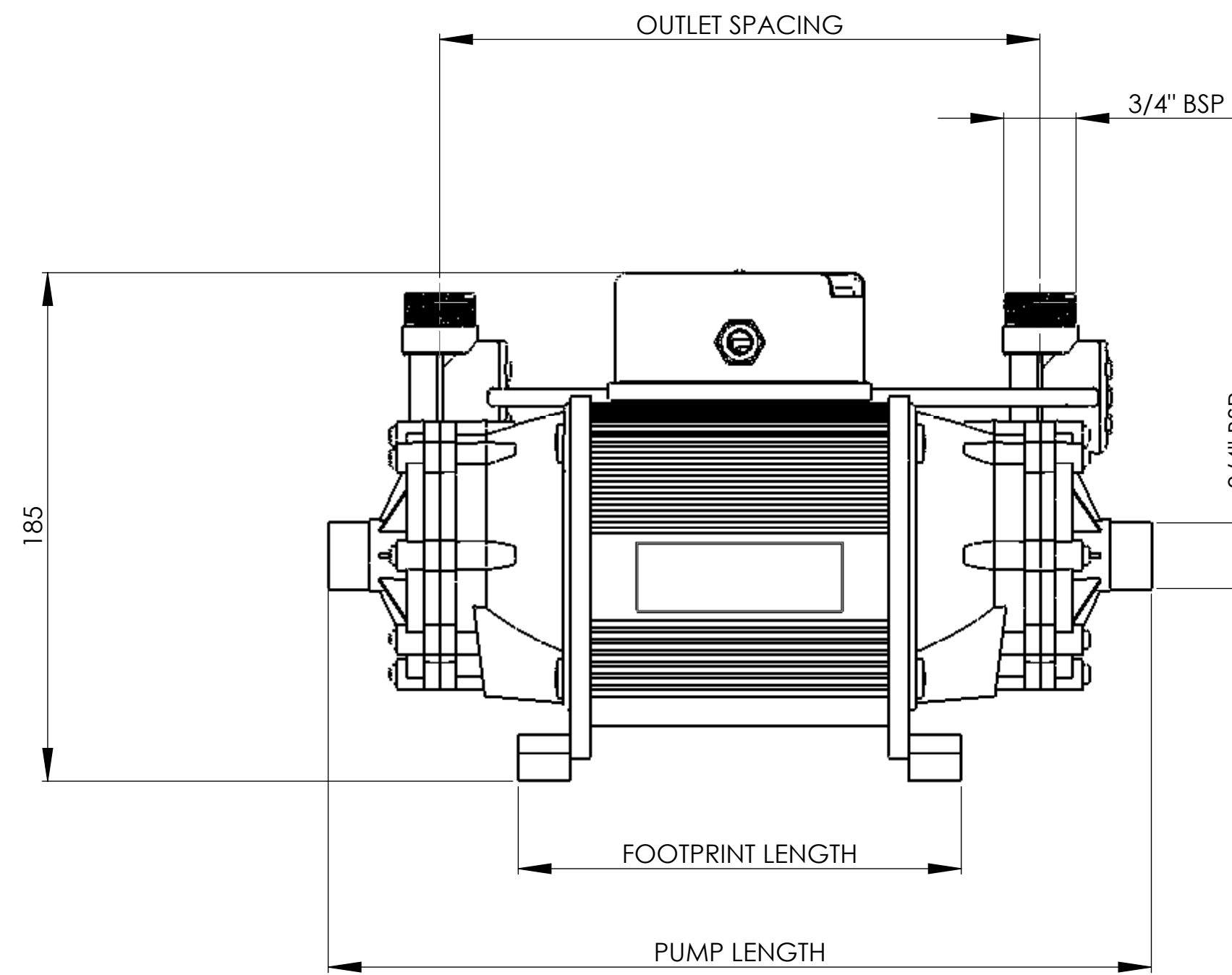


THIRD ANGLE PROJECTION



MODEL	FOOTPRINT LENGTH	PUMP LENGTH	OUTLET SPACING
STC-1.5 C	172	300	215
STC-2.0 C	177	305	220

UNLESS OTHERWISE SPECIFIED: DIMENSIONS ARE IN MILLIMETERS SURFACE FINISH: TOLERANCES: LINEAR: X= ±0.3; 0.X ±0.2; 0.XX±0.1 ANGULAR: ±0.5 DEG		DO NOT SCALE DRAWING		WATERMILL A GRUNDFOS COMPANY Gemini House, Enterprise Way, Edenbridge, Kent. TN8 6HF.	
DRAWN: R.P.		SIGNATURE:		TITLE: MAINS CENTRIFUGAL PUMP - LINE DRAWING - WITHOUT HOSES	
DATE: 12/12/07		MATERIAL:		DWG NO. 9019	
WEIGHT:		SCALE:		SHEET 1 OF 1	

01	ORIGINAL ISSUE	12/12/07	
ISSUE	MODIFICATION	DATE	ECR No.