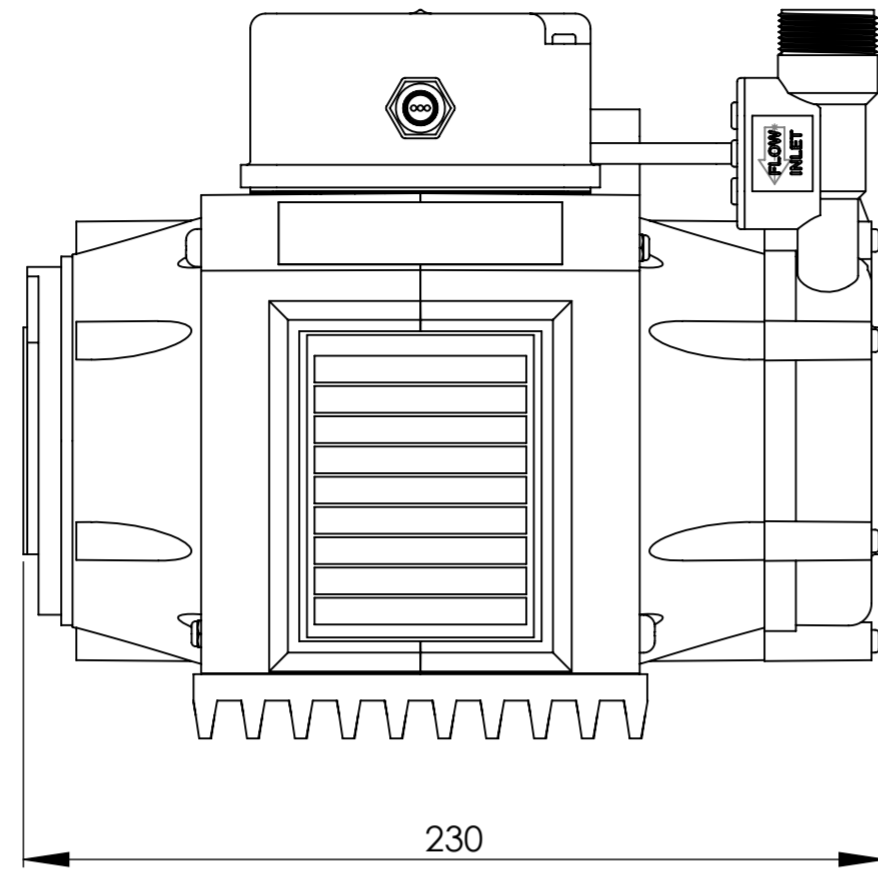
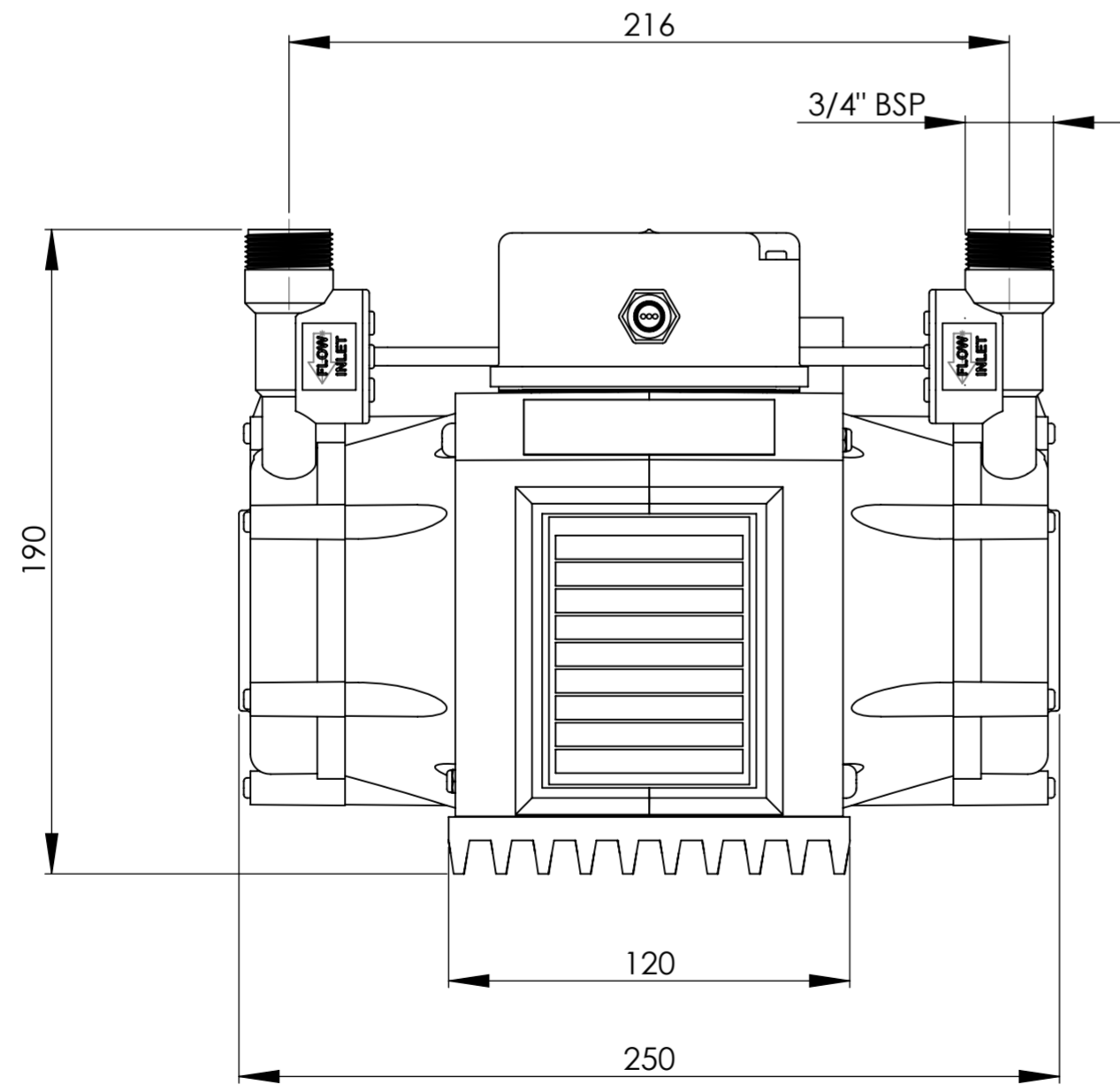
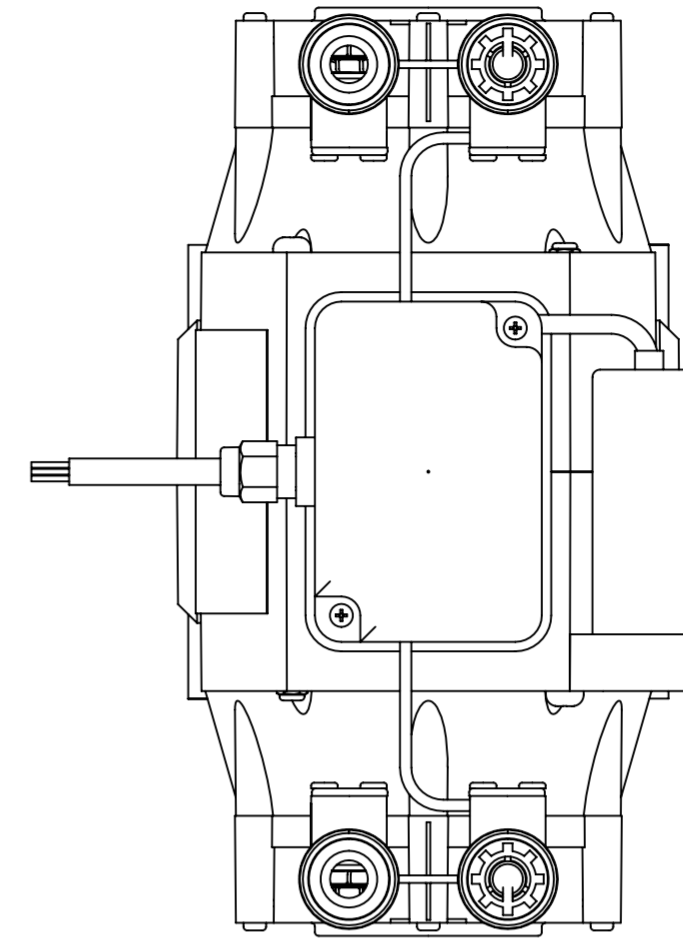


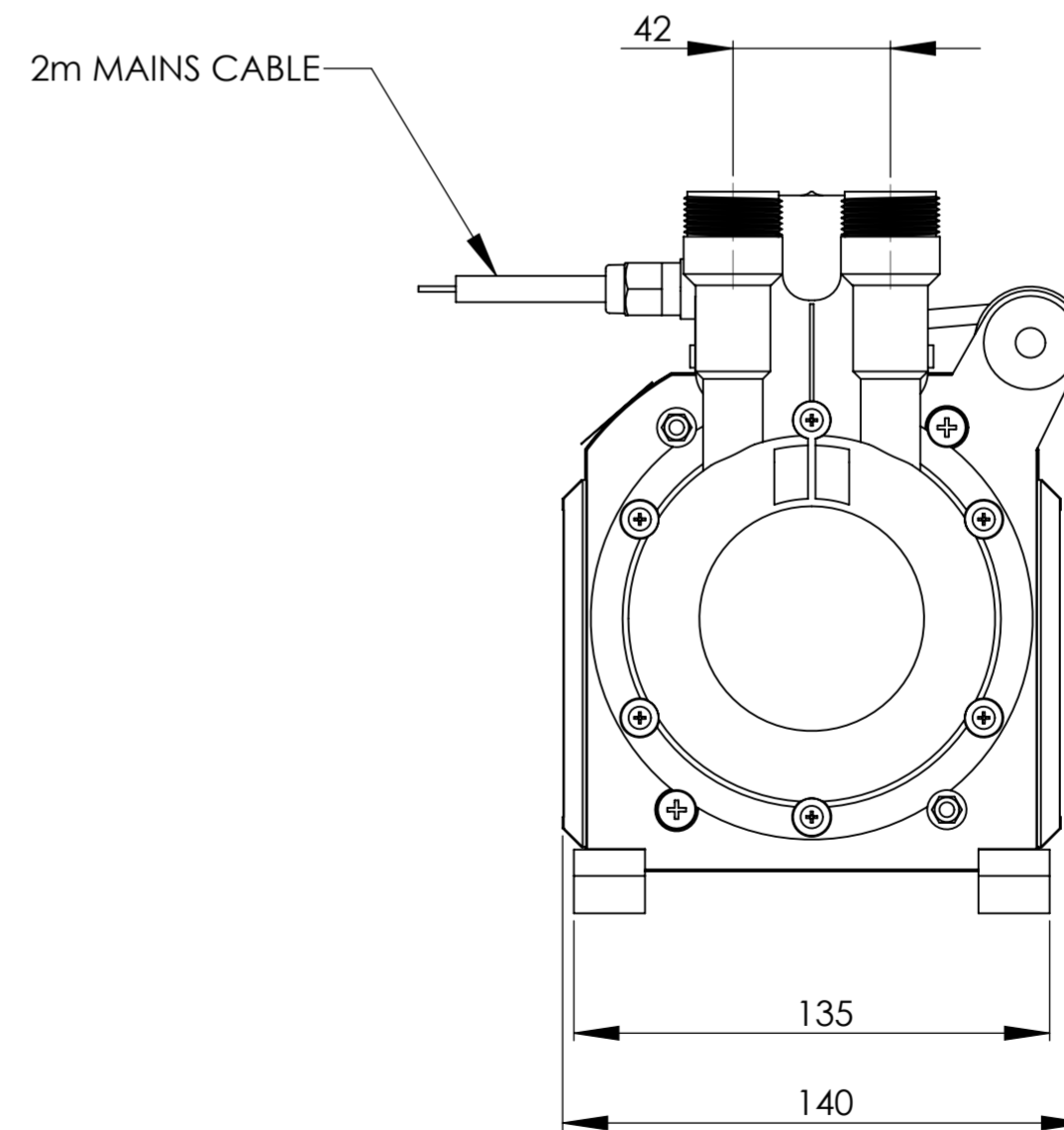
THIRD ANGLE PROJECTION



**SINGLE IMPELLER PUMP -  
SSR-1.5 C**



**TWIN IMPELLER PUMPS -  
STR-1.2 C  
STR-1.5 C**



UNLESS OTHERWISE SPECIFIED:  
DIMENSIONS ARE IN MILLIMETERS  
SURFACE FINISH:  
TOLERANCES:  
LINEAR: X= ±0.3; 0.X ±0.2; 0.XX= ±0.1  
ANGULAR: ±0.5 DEG

DO NOT SCALE DRAWING

**WATERMILL** A GRUNDFOS COMPANY

Gemini House, Enterprise Way,  
Edenbridge. Kent. TN8 6HF.

TITLE:  
**REGEN PUMP - LINE DRAWING  
- WITHOUT HOSES**

01	ORIGINAL ISSUE	12/12/07	
ISSUE	MODIFICATION	DATE	ECR No.

NAME	SIGNATURE	DATE	MATERIAL:
R.P.		12/12/07	

DWG NO. 9018

A2

SCALE: SHEET 1 OF 1