

Customer	Date	2014-07-15
Contact	Project	
Phone number	Project no.	
Email		



## 1HM03P03T5RVBE

### 104600020

#### Operating data

Pump type	Single head pump	Fluid	Water, pure
No. of pumps / Reserve	1 / 0	Operating temperature t A	K 277
Nominal flow	l/s 0.6511	pH-value at t A	7
Nominal head	m 34	Density at t A	kg/m <sup>3</sup> 1000
Static head	m 0	Kin. viscosity at t A	mm <sup>2</sup> /s 1.569
Inlet pressure	kPa 0	Vapor pressure at t A	kPa 100
Environmental temperature	K 293	Solids	0
Available system NPSH	m 0	Altitude	m 1000

#### Pump data

Make	Lowara	Nominal	l/s .5 ( .5 )
Speed	1/min 2900	Flow	Max- l/s .7
Number of stages	3		Min- l/s
Max. casing pressure	kPa	Nominal	m 20
Max. working pressure	kPa 317.9	Head	at Qmax m 13.8
Head H(Q=0)	m 32		at Qmin m 32.4
Weight	kg 6	Shaft power	kW .3 ( .3 )
	Max. mm 73	Max. shaft power	kW .3
Impeller R	designed mm 73	Efficiency	% 33.95
	Min. mm 73	NPSH 3%	m 1.9

#### Pump Materials

Adapter	Aluminium
Bolts and screws	Stainless steel
Diffuser	Stainless steel
Fill / drain plugs	Nickel-plated brass
impeller	Technopolymer (Noryl™)
Pump body	Stainless steel
Shaft	Stainless steel
Wear ring	Technopolymer (PPS)

#### Shaft Seal

Mechanical Seal	Roten
HM - uniten	
Rotating Assembly	V-Ceramic Alumina
Fixed Assembly	B-Carbon
Elastomers	E-EPDM
Springs	G-AISI 316
Other Components	G-AISI 316

Seal casing	Stainless steel
-------------	-----------------

#### Motor data

Manufacturer	Lowara	Electric voltage	400 V	Speed	2745 1/min	Insulation class	F
Specific design	Three phase surface motor - e-HM			Frame size	56	Colour	RAL 5010
Type	SM63HM../303	Electric current	0.98 A	Weight	0 kg		
Rated power	0.3 kW	Degree of protection	IP 55				

#### Remarks:



Customer	Date	2014-07-15
Contact	Project	
Phone number	Project no.	
Email		

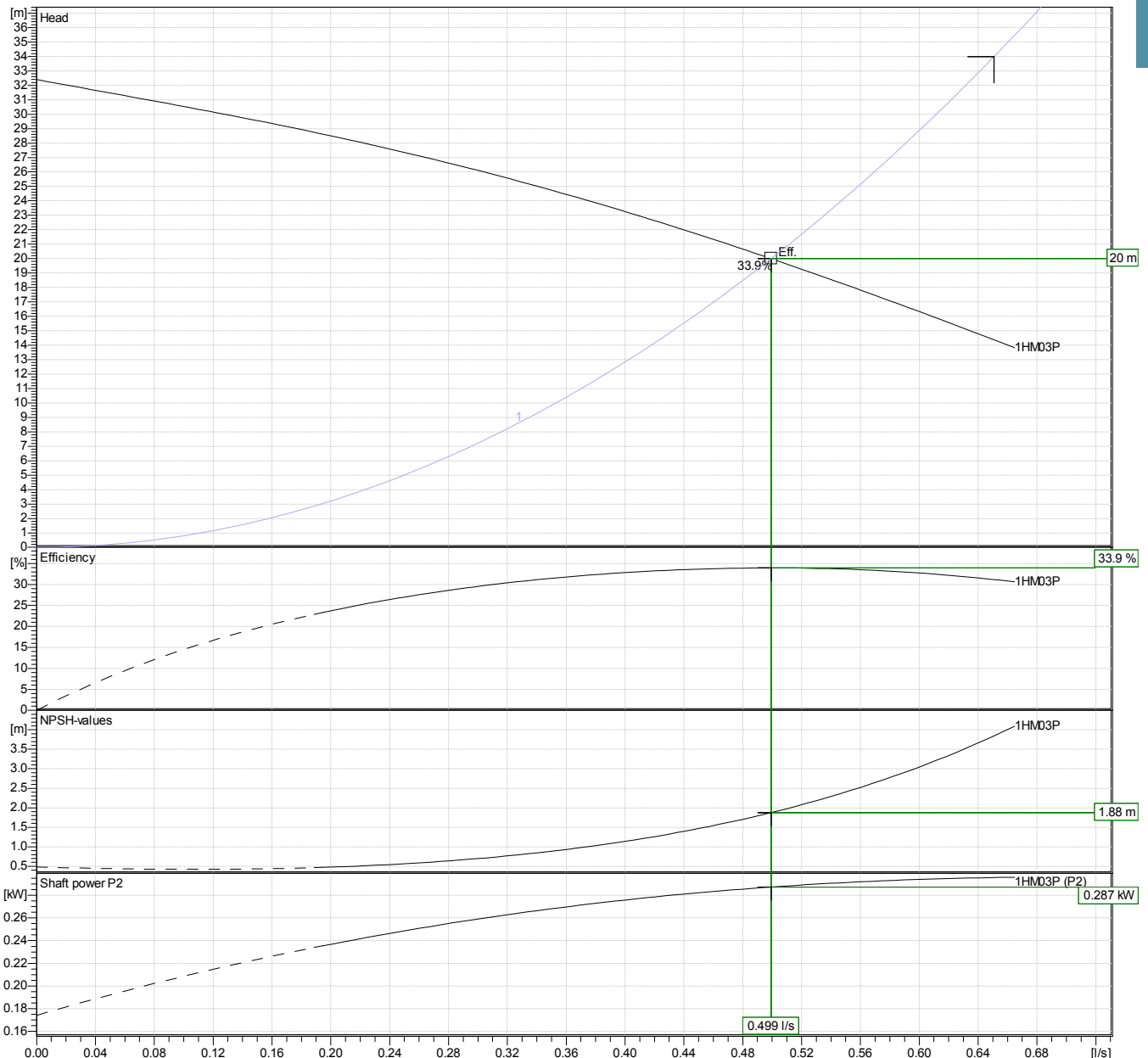
## 1HM03P03T5RVBE

104600020

### Hydraulic Data

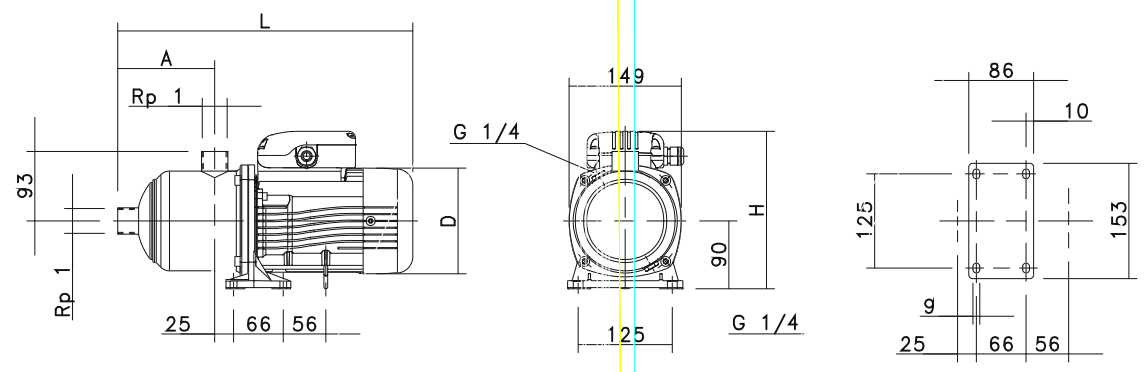
Operating Data Specification		Hydraulic data (duty point)		Impeller design	
Flow	0.651 l/s	Flow	0.499 l/s	Impeller R	73 mm
Head	34 m	Head	20 m	Frequency	50 Hz
Static head	0 m			Speed	2900 1/min

Power data referred to:  
Water, pure [100%] ; 277K; 1000kg/m<sup>3</sup>; 1.57mm<sup>2</sup>/s  
Performance according to ISO 9906 - Annex A

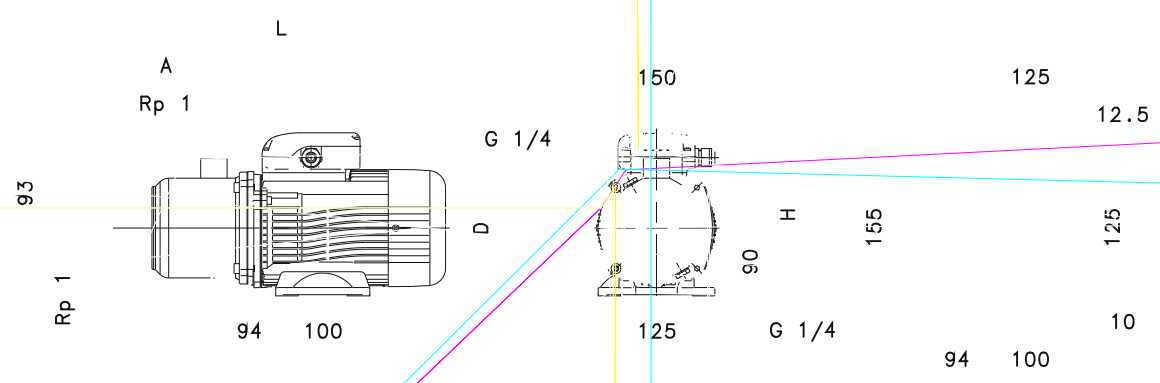


1HM-P

X



Y



Dimensions

06410\_A\_DD

Weight  
kg