

Customer	Date	2014-07-15
Contact	Project	
Phone number	Project no.	
Email		



10HM03P15M5HVBE

104600880

Operating data

Pump type	Single head pump	Fluid	Water
No. of pumps / Reserve	1 / 0	Operating temperature t A	K 277
Nominal flow	l/s 3.869	pH-v value at t A	7
Nominal head	m 28	Density at t A	kg/m ³ 1000
Static head	m 0	Kin. viscosity at t A	mm ² /s 1.569
Inlet pressure	kPa 0	Vapor pressure at t A	kPa 100
Environmental temperature	K 293	Solids	0
Available system NPSH	m 0	Altitude	m 1000

Pump data

Make	Lowara	Nominal	l/s 3.5 (3.5)
Speed	1/min 2900	Max-	l/s 3.9
Number of stages	3	Min-	l/s
Max. casing pressure	kPa	Nominal	m 23.2
Max. working pressure	kPa 447	Head	at Qmax m 18.7
Head H(Q=0)	m 46	at Qmin	m 45.6
Weight	kg 17	Shaft power	kW 1.4 (1.4)
	Max. mm 73	Max. shaft power	kW 1.4
Impeller R	designed mm 73	Efficiency	% 56.65
	Min. mm 73	NPSH 3%	m 2

Pump Materials

Adapter	Aluminium
Diffuser	Stainless steel
Fill / drain plugs	Stainless steel
Head	Stainless steel
impeller	Technopolymer (Noryl™)
Outer sleeve	Stainless steel
Seal casing	Stainless steel
Shaft	Stainless steel
Tie rods	Stainless steel
Wear ring	Technopolymer (PPS)

Shaft Seal

Mechanical Seal	Roten
HM - uniten	
Rotating Assembly	V-Ceramic Alumina
Fixed Assembly	B-Carbon
Elastomers	E-EPDM
Springs	G-AISI 316
Other Components	G-AISI 316

Ring with foot Aluminium

Motor data

Manufacturer	Lowara	Electric voltage	230 V	Speed	2810 1/min	Insulation class	F
Specific design	Single phase motor - e-HM			Frame size	56	Colour	RAL 5010
Type	SM80HM../1155	Electric current	4 A	Weight	0 kg		
Rated power	1.5 kW	Degree of protection	IP 55				

Remarks:



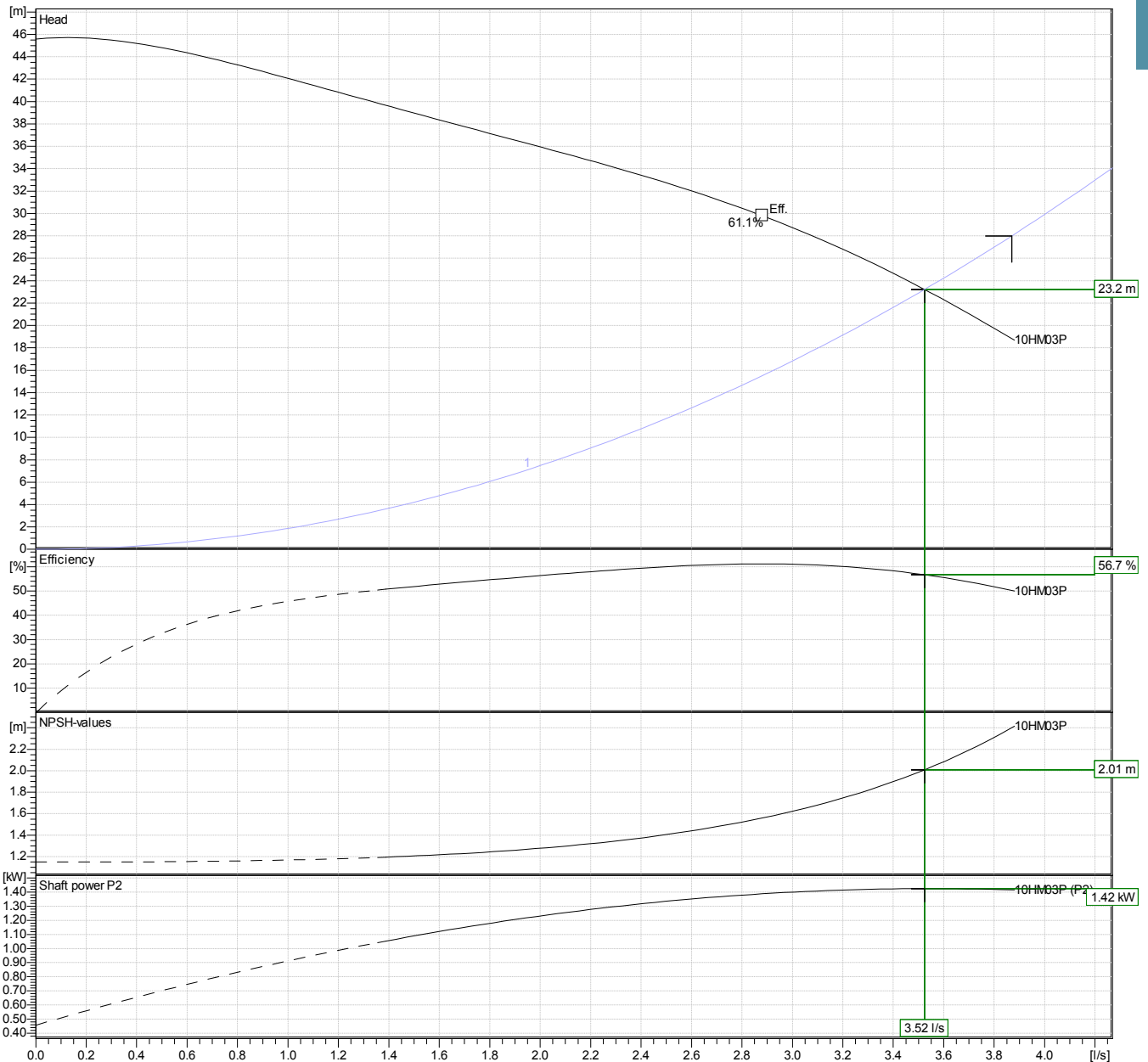
Customer	Date	2014-07-15
Contact	Project	
Phone number	Project no.	
Email		

10HM03P15M5HVBE
104600880

Hydraulic Data

Operating Data Specification		Hydraulic data (duty point)		Impeller design	
Flow	3.87 l/s	Flow	3.52 l/s	Impeller R	73 mm
Head	28 m	Head	23.2 m	Frequency	50 Hz
Static head	0 m			Speed	2900 1/min

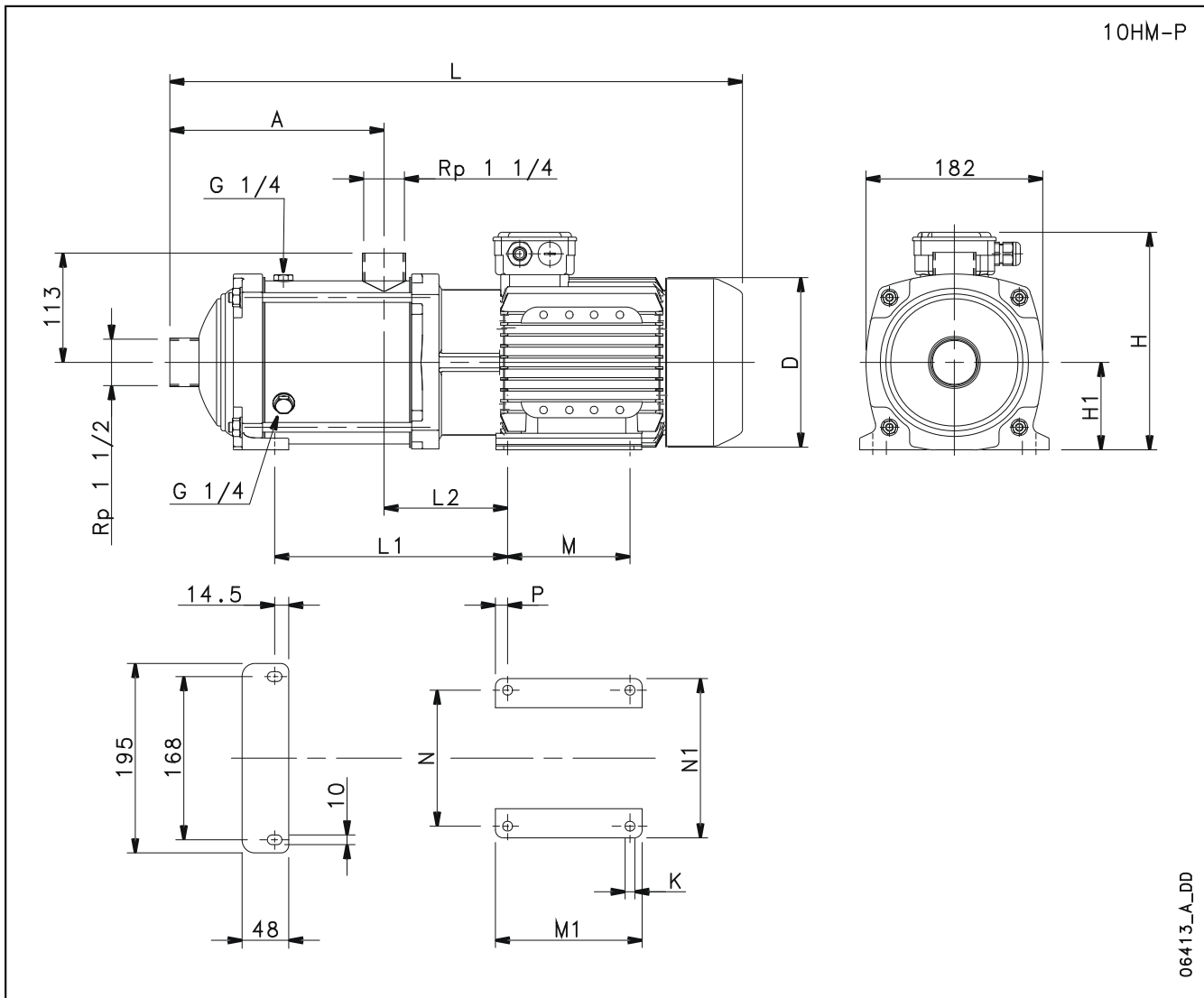
Power data referred to:
Water [100%] ; 277K; 1000kg/m³; 1.57mm²/s
Performance according to ISO 9906 - Annex A



Customer	Date	2014-07-15
Contact	Project	
Phone number	Project no.	
Email		

10HM03P15M5HVBE
104600880

Drawing



06413_A_DD

Dimensions mm

A	125	M1	125			Weight 17 kg
D	155	N	125			
H	227	N1	155			
H1	90	P	12.5			
K	10	PN	10			
L	443					
L1	122					
L2	105					
M	100					