

Customer	Date	2014-10-23
Contact	Project	
Phone number	Project no.	
Email		



22HM02N22M5HVBE

104606284

Operating data

Pump type	Single head pump	Fluid	Water
No. of pumps / Reserve	1 / 0	Operating temperature t A	K 277
Nominal flow	l/s 0	pH-v value at t A	7
Nominal head	m 0	Density at t A	kg/m ³ 1000
Static head	m 0	Kin. viscosity at t A	mm ² /s 1.569
Inlet pressure	kPa 0	Vapor pressure at t A	kPa 100
Environmental temperature	K 293	Solids	0
Available system NPSH	m 0	Altitude	m 1000

Pump data

Make	Lowara	Nominal	l/s ()
Speed	1/min 2900	Flow	Max- l/s 8.1
Number of stages	2		Min- l/s
Max. casing pressure	kPa	Nominal	m
Max. working pressure	kPa 295.8	Head	at Qmax m 12.9
Head H(Q=0)	m 30		at Qmin m 30.2
Weight	kg 26	Shaft power	kW ()
	Max. mm 73	Max. shaft power	kW 1.9
Laufrad O	designed mm 73	Efficiency	%
	Min. mm 73	NPSH 3%	m

Pump Materials

ADAPTER	Aluminium
DIFFUSER	Stainless steel
Fill / drain plugs	Stainless steel
Head	Stainless steel
IMPELLER	Stainless steel 316
Outer sleeve	Stainless steel
SEAL HOUSING	Stainless steel
SHAFT	Stainless steel
Shaft sleeve and bushing	Tungsten carbide
Tie rods	Stainless steel
WEAR RING	Technopolymer (PPS)
Ring with foot	Aluminium

Shaft Seal

Mechanical Seal	Roten
HM - uniten	
Rotating Assembly	V-Ceramic Alumina
Fixed Assembly	B-Carbon
Elastomers	E-EPDM
Springs	G-AISI 316
Other Components	G-AISI 316

Motor data

Manufacturer	Lowara	Electric voltage	230 V	Speed	2825 1/min	Insulation class	F
Specific design	Single phase pump motor			Frame size	56	Colour	RAL 5010
Type	PLM90HM../1225	Electric current	12.5 A	Weight	0 kg		
Rated power	2.2 kW	Degree of protection	IP 55				

Remarks:



Customer	Date	2014-10-23
Contact	Project	
Phone number	Project no.	
Email		

22HM02N22M5HVBE

104606284

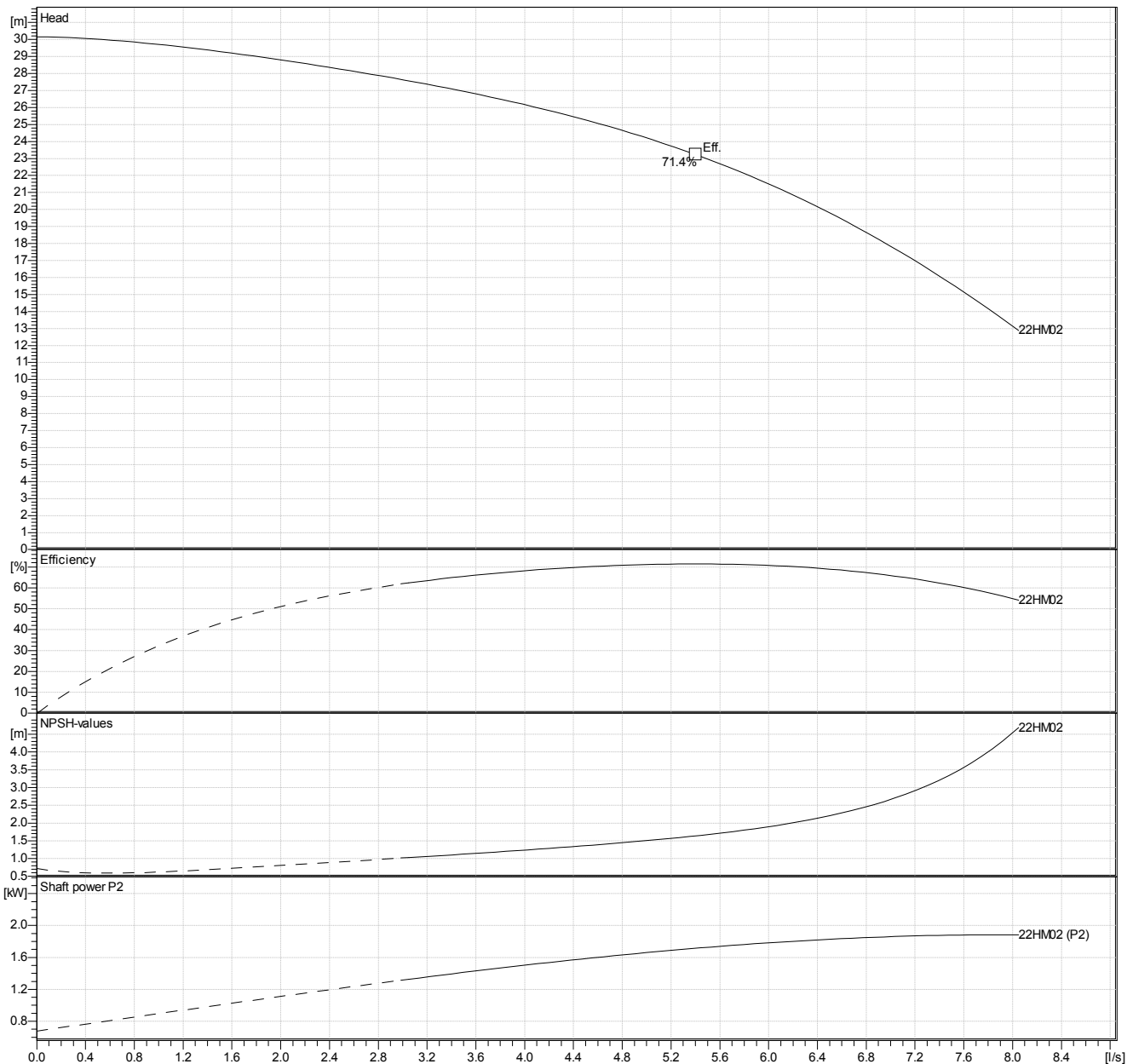
Hydraulic Data

Operating Data Specification		Hydraulic data (duty point)		Impeller design	
Flow	0 l/s	Flow		Laufrad O	73 mm
Head	0 m	Head		Frequency	50 Hz
Static head	0 m			Speed	2900 1/min

Power data referred to:

Water [100%] ; 277K; 1000kg/m³; 1.57mm²/s

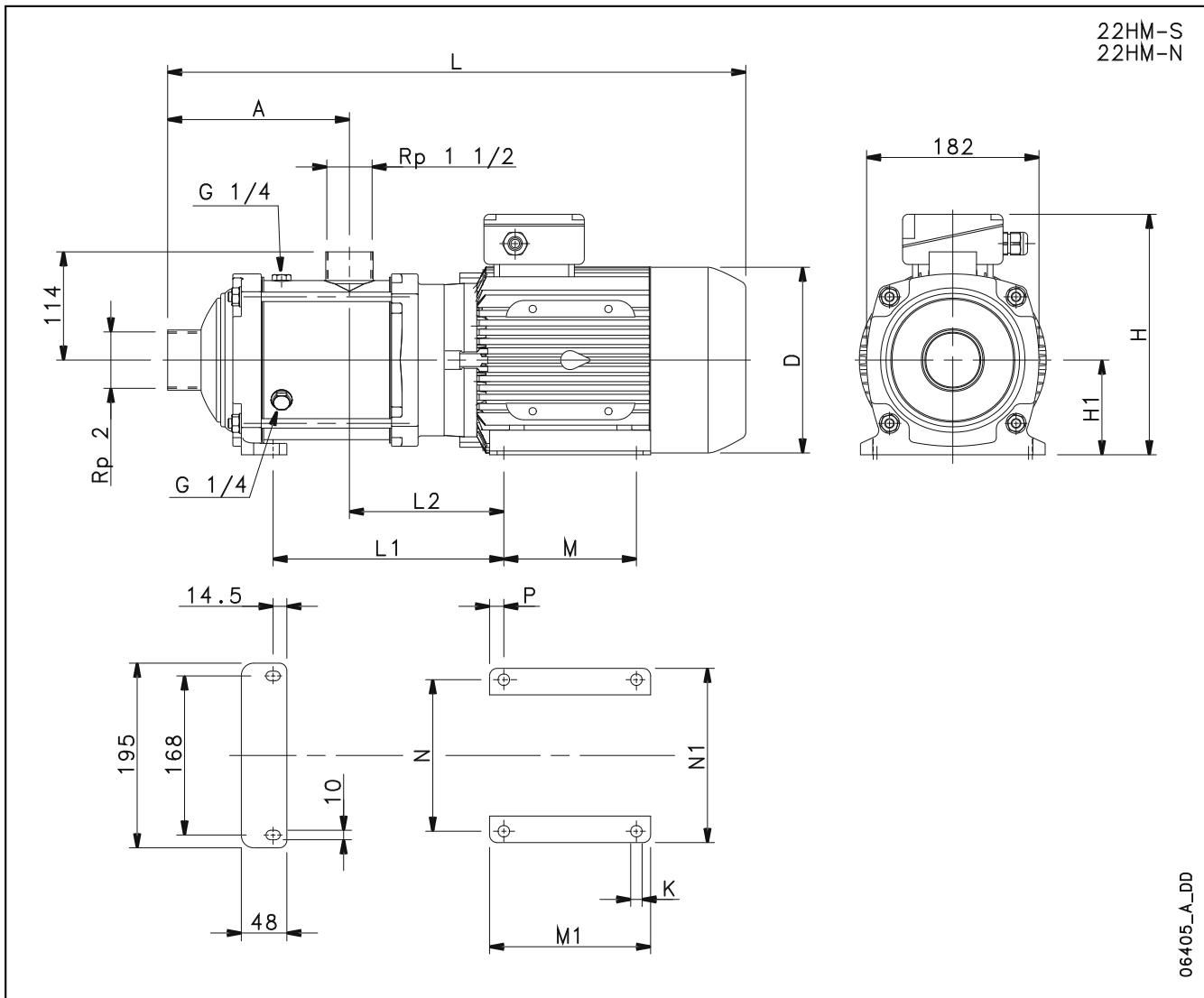
Performance according to ISO 9906 - Annex A



Customer	Date	2014-10-23
Contact	Project	
Phone number	Project no.	
Email		

22HM02N22M5HVBE
104606284

Drawing



Dimensions mm

A	144	M1	150			Weight 26 kg
D	174	N	140			
H	249	N1	164			
H1	90	P	12.5			
K	10	PN	10			
L	534					
L1	176					
L2	144					
M	125					