

# CH Centrifugal horizontal multistage pumps

The CH range of centrifugal multistage pumps are built to provide a high quality and reliable solution for applications that require high flow rates of up to 160 l/min and heads up to 62 metres.

The range includes 4 base pumps suitable for independent switching.

## Application

The CH range of pumps are the ideal base unit for pressure boosting sets or for applications where long pipe runs or high heads may be involved.

The range is suitable for commercial or domestic use, pumping hot or cold water.

## Features

- Self priming up to 5 m
- Quiet operation
- Easy to install

## Materials

Body	Brass/stainless steel
Impeller	Stainless steel
Pump shaft	Stainless steel
Seal	EPDM/carbon/ceramic

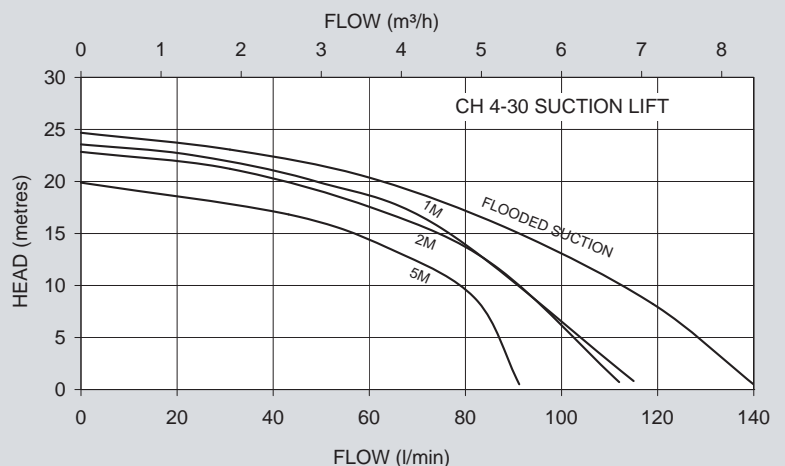
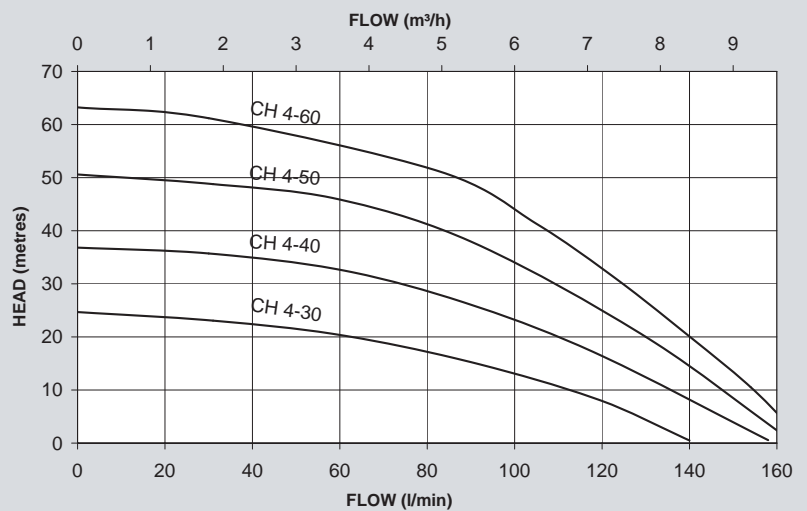
## Operating Conditions

Max. liquid temp.	65°C
Min. liquid temp.	4°C
Max. suction lift	5 m*
Max. ambient air temp.	50°C
Max. inlet head	10 m
Max. working pressure	10 bar

\*With footvalve fitted.

## Pump Connection Sizes

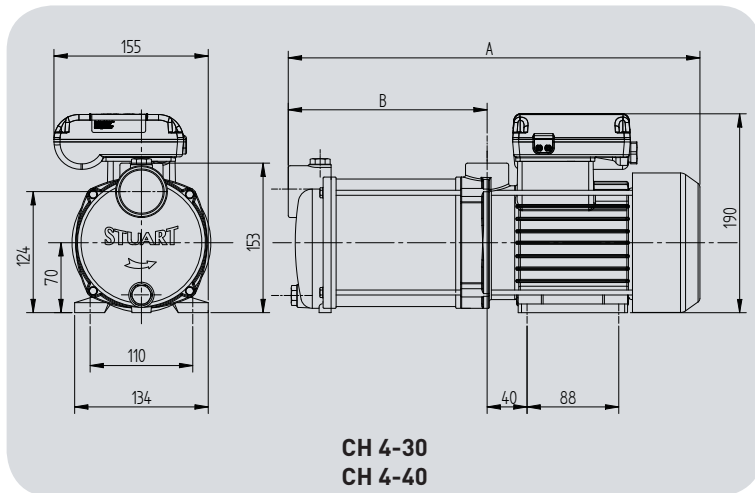
Inlet	G 1 1/4 F
Outlet	G 1 F



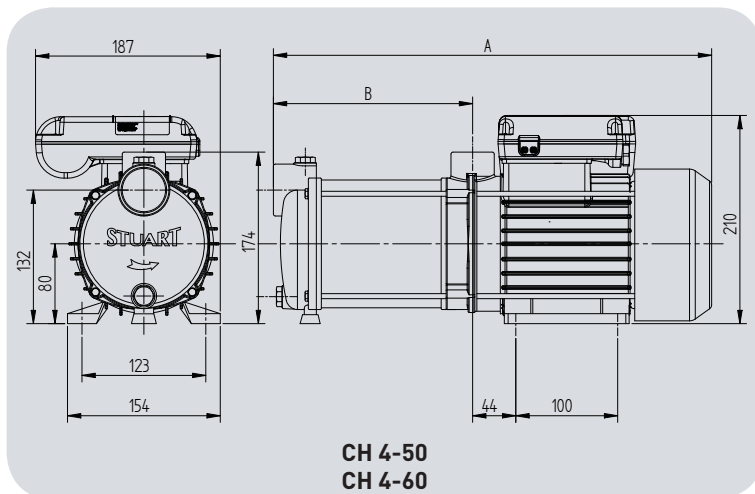
## CH Centrifugal horizontal multistage pumps

Model	Motor	Nominal watts	Max. watts consumed	Amps full load	Seal	Carton dims. mm			Gross weight (packed) kg	Part no.
						L	x W	x H		
CH 4-30	230/1/50	550	850	3.8	EPDM/Car/Cer	410	200	230	11.1	46553
CH 4-40	230/1/50	750	1182	5.3	EPDM/Car/Cer	410	200	230	12.9	46554
CH 4-50	230/1/50	1100	1648	7.4	EPDM/Car/Cer	500	241	250	16.8	46555
CH 4-60	230/1/50	1500	1969	8.8	EPDM/Car/Cer	500	241	250	19.3	46556

All models have an enclosure rating of IPX5 and feature totally enclosed fan ventilated cooling.  
 All models have thermal overload protection and are designed for continuous running for duties of 2.5 l/min and above.  
 Although these pumps are self priming we recommend a footvalve/strainer is used if a suction lift is required.



Pump Description	Dimensions (mm)	
	A	B
CH 4-30	360	146
CH 4-40	384	170



Pump Description	Dimensions (mm)	
	A	B
CH 4-50	431	198
CH 4-60	456	222

All dimensions shown are in mm.

Stuart Turner Ltd  
 Henley-on-Thames  
 Oxfordshire RG9 2AD  
 England  
 Telephone: +44 (0)1491 572655  
 Fax: +44 (0)1491 573704

info@stpumps.co.uk  
 www.stuart-turner.co.uk

V.A.T. REG. No. 199 0987 92.  
 Registered in England No. 88368.  
 Registered Office:  
 Market Place, Henley-on-Thames

