

ECN No.	DATE	DETAILS	REVISION
3010	04/11/2011	FIRST ISSUE	1
3356	23/08/2013	UPDATE FOR WEB SITE IMAGES	2
*	*	*	*
*	*	*	*

# STUART TURNER LTD HENLEY-ON-THAMES.

REVISION	DRG No.
2	41474

THIRD ANGLE PROJECTION

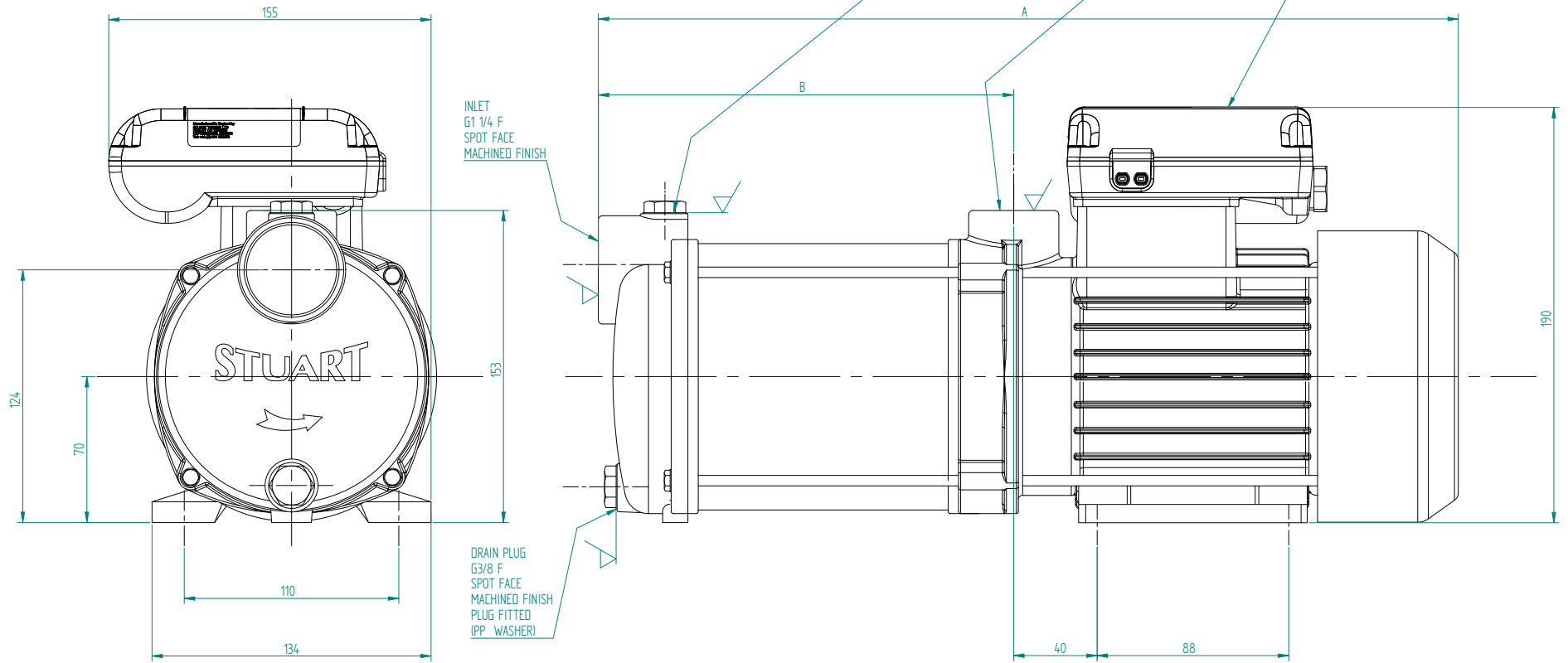
DIMENSIONS IN MILLIMETRES

MACHINING SYMBOLS TO BS 8888

REMOVE ALL BURRS AND SHARP EDGES

Stuart Turner Ltd own the copyright within this document.  
The document may be printed for personal use only. The document  
must not be altered, reproduced or utilized in any way without  
written permission from Stuart Turner Ltd, Henley-on-Thames, Oxon, UK.

PUMP	DIMENSIONS (MM)	
	A	B
CH 4-30 SERIES	360	146
CH 4-40 SERIES	384	170



If drawing is to be used for constructional purposes please contact Stuart Turner Ltd and request a certified document.

Stuart Turner Ltd reserves the right to amend specifications without notice.

DRAWN	AJW
CHECKED	
DATE	04/11/2011

## OUTLINE ARRANGEMENT MULTISTAGE 30 / 40 RANGE

SUPERSEDES *	GENERAL LIMIT $\pm 2.0$
FILE SOLIDEDGE FILES\DRAWING\PUMPS\CAI41474-2	MATL.
ALL COMPONENTS SUPPLIED IN RELATION TO THIS DRAWING MUST BE IN FULL COMPLIANCE WITH THE RoHS DIRECTIVE (2002/95/EC)	

SCALE	1:2	A1
DRG.No.	41474	