

ECN No.	DATE	DETAILS	REVISION
3051	17/11/2011	FIRST ISSUE	1
3356	23/08/2013	UPDATE FOR WEB SITE IMAGES	2
3439	27/01/2014	PRESSURE SWITCH UPDATED	3
*	*	*	*

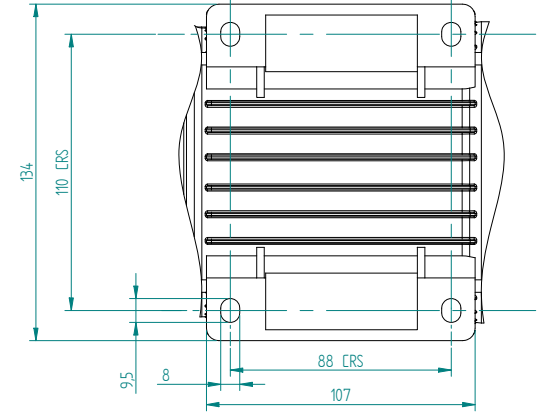
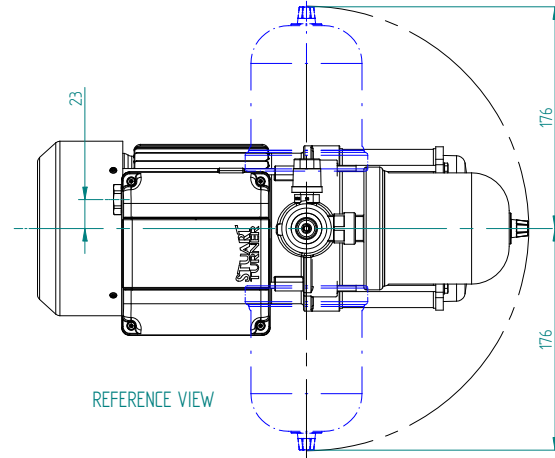
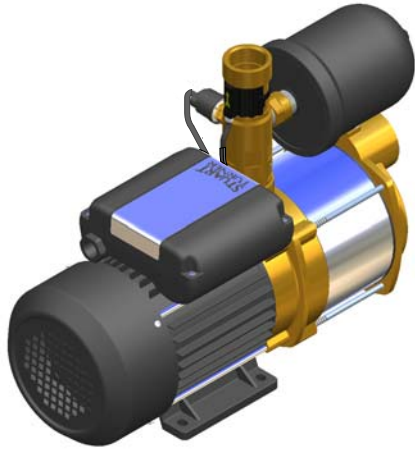
STUART TURNER LTD HENLEY-ON-THAMES.

REVISION	DRG No.
3	41488

REMOVE ALL BURRS AND SHARP EDGES
MACHINING SYMBOLS TO BS 308

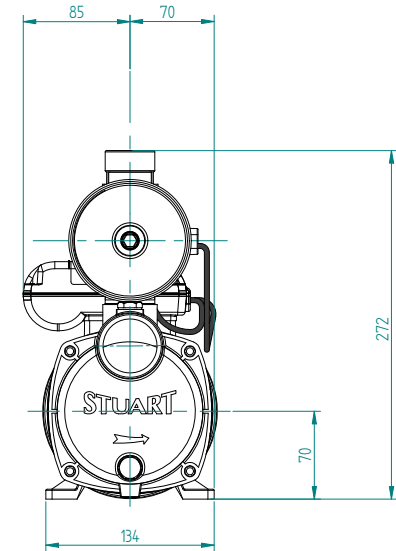
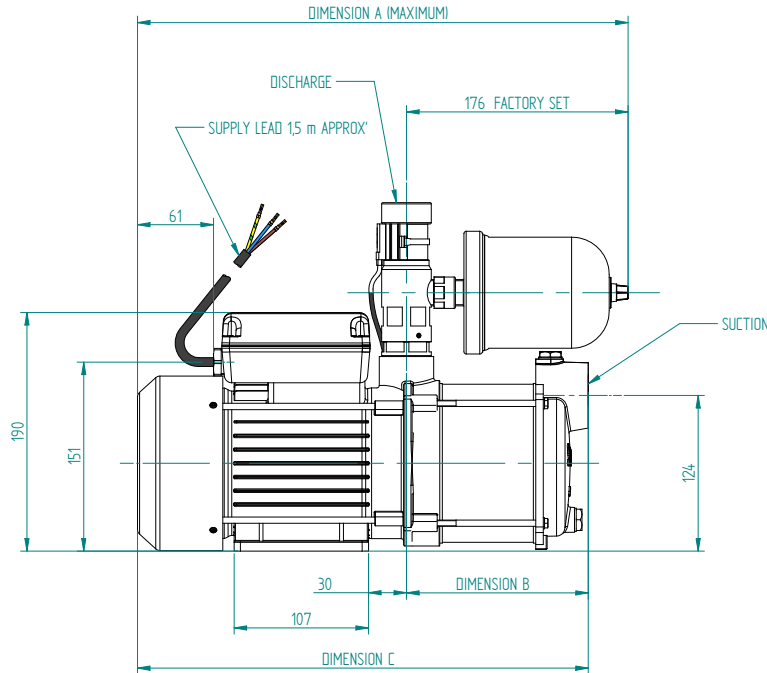
THIRD ANGLE PROJECTION
DIMENSIONS IN MILLIMETRES

NOTE:
THE PRESSURE VESSEL CAN BE RE-POSITIONED IF REQUIRED TO SUIT SPECIFIC INSTALLATIONS,
HOWEVER, CARE MUST BE TAKEN WHEN RE-POSITIONING TO ENSURE NO STRAIN IS PLACED
UPON THE PRESSURE SWITCH OR FLOW SWITCH CABLES. (NOT SHOWN)



MODEL	DIMENSIONS (MM)		
	A	B	C
CH 4-30 B	391	144	360
CH 4-40 B	391	169	384

NOTE-
SUCTION G1 1/4 F
DISCHARGE - G1 F



If drawing is to be used for constructional purposes please contact Stuart Turner Ltd and request a certified document.

Stuart Turner Ltd own the copyright within this document.
The document may be printed for personal use only. The document must not be altered, reproduced or utilized in any way without written permission from Stuart Turner Ltd, Henley-on-Thames, Oxon, UK.

Stuart Turner Ltd reserves the right to amend specifications without notice.

DRAWN	AJW
CHECKED	
DATE	22/11/2011

OUTLINE ARRANGEMENT MULTISTAGE 30 & 40 BOOSTAMATIC RANGE

USED ON	.
SUPERSEDES	.

GENERAL LIMIT	± 2
FILE	SOLIDEDGE FILES\DRAWING\PUMPS\CA141488-3
MATL.	N/A

SCALE	1:2	A1
DRG.No.	41488	