

ECN No.	DATE	DETAILS	REVISION
3053	17/11/2011	FIRST ISSUE	1
3356	23/08/2013	UPDATE FOR WEB SITE IMAGES	2
*	*	*	*
*	*	*	*

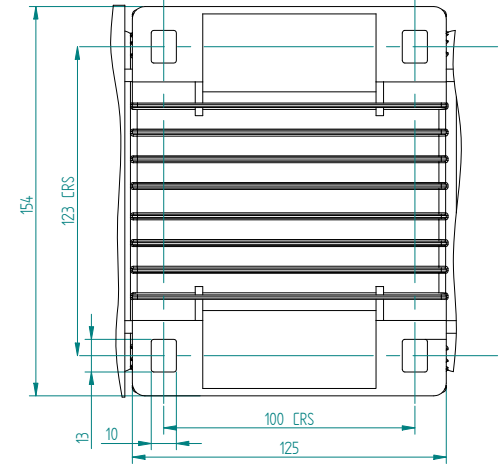
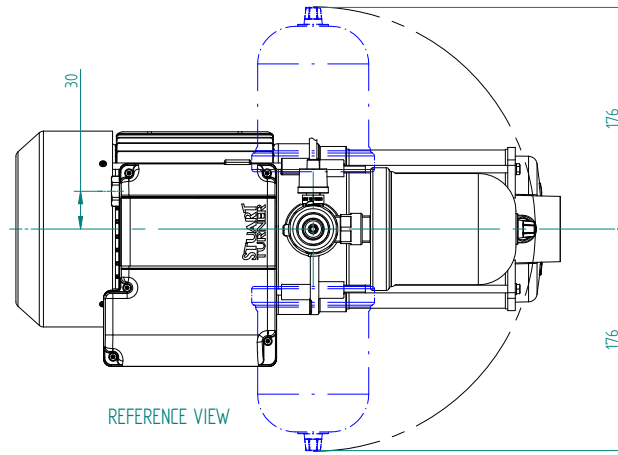
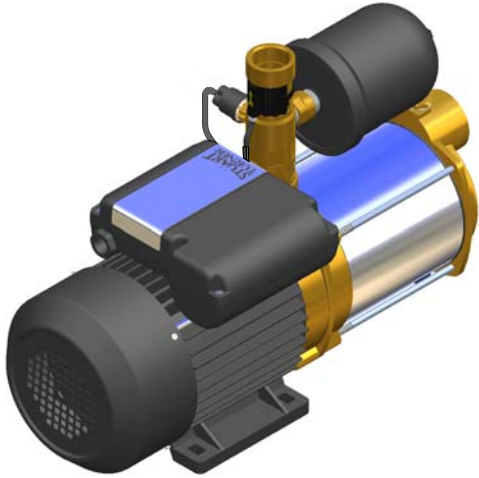
# STUART TURNER LTD HENLEY-ON-THAMES.

REVISION	DRG No.
2	41489

THIRD ANGLE PROJECTION  
DIMENSIONS IN MILLIMETRES

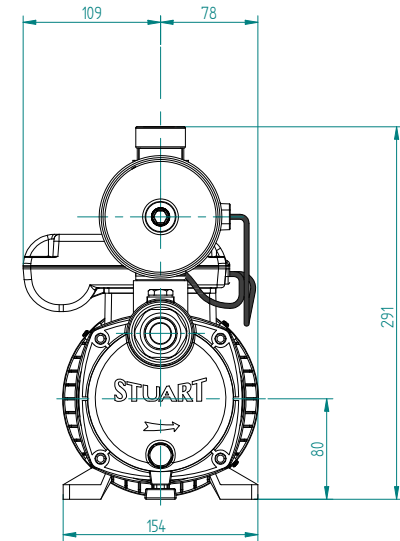
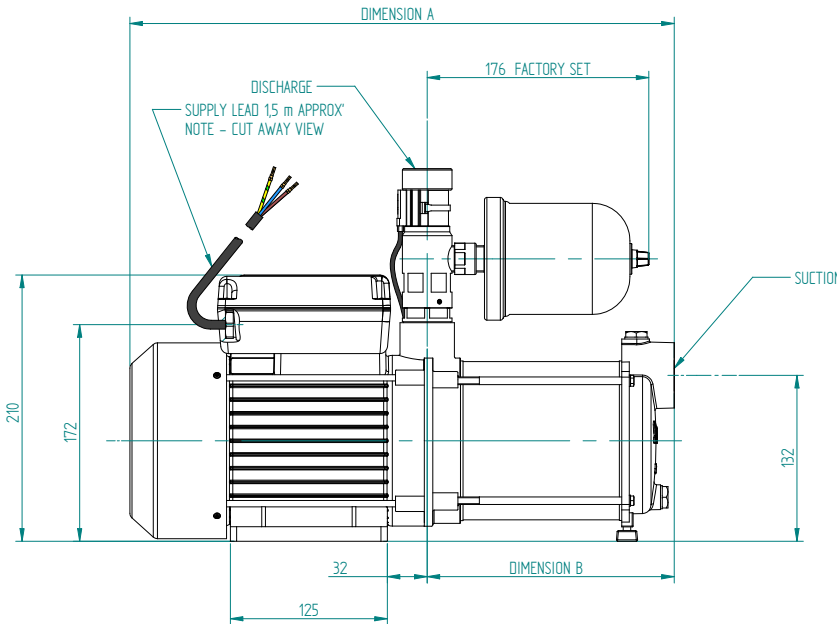
REMOVE ALL BURRS AND SHARP EDGES  
MACHINING SYMBOLS TO BS 308

NOTE:  
THE PRESSURE VESSEL CAN BE RE-POSITIONED IF REQUIRED TO SUIT SPECIFIC INSTALLATIONS,  
HOWEVER, CARE MUST BE TAKEN WHEN RE-POSITIONING TO ENSURE NO STRAIN IS PLACED  
UPON THE PRESSURE SWITCH OR FLOW SWITCH CABLES. (NOT SHOWN)



MODEL	DIMENSIONS (MM)	
	A	B
CH 4-50 B	431	198
CH 4-60 B	456	222

NOTE-  
SUCTION AND DISCHARGE 63/4 M



If drawing is to be used for constructional purposes please contact Stuart Turner Ltd and request a certified document.

Stuart Turner Ltd own the copyright within this document.  
The document may be printed for personal use only. The document must not be altered, reproduced or utilized in any way without written permission from Stuart Turner Ltd, Henley-on-Thames, Oxon, UK.

Stuart Turner Ltd reserves the right to amend specifications without notice.

DRAWN	AJW
CHECKED	
DATE	23/11/2011

## OUTLINE ARRANGEMENT MULTISTAGE 50 & 60 BOOSTAMATIC RANGE

USED ON	.
SUPERSEDES	.

GENERAL LIMIT	± 2
FILE	SOLIDEDGE FILES\DRAWING\PUMPS\CA141488-2
MATL.	N/A

SCALE	1:2	A1
DRG.No.	41489	