

ECN No.	DATE	DETAILS	REVISION
3012	04/11/2011	FIRST ISSUE	1
3356	23/08/2013	UPDATE FOR WEB SITE IMAGES	2
*	*	*	*
*	*	*	*

STUART TURNER LTD HENLEY-ON-THAMES.

REVISION	DRG No.
2	41475

THIRD ANGLE PROJECTION

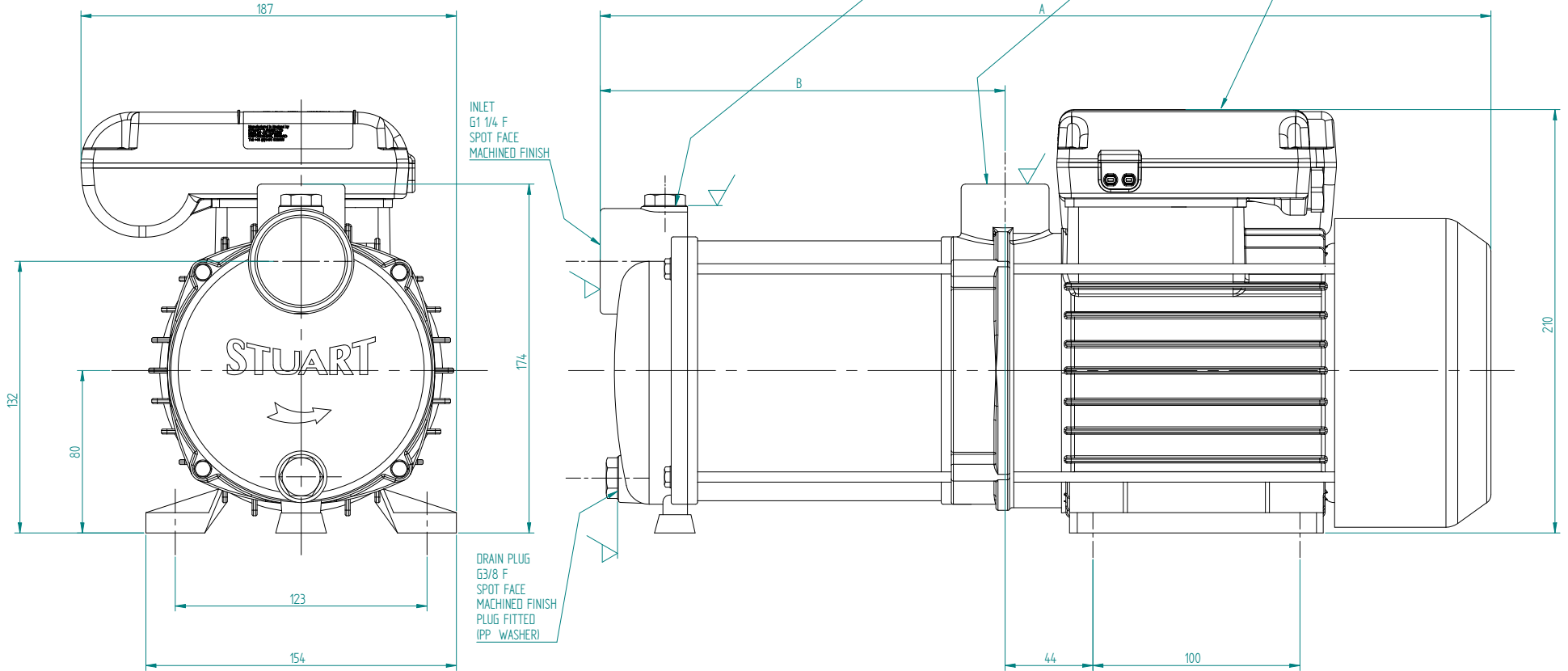
DIMENSIONS IN MILLIMETRES

MACHINING SYMBOLS TO BS 8888

REMOVE ALL BURRS AND SHARP EDGES

Stuart Turner Ltd own the copyright within this document. The document may be printed for personal use only. The document must not be altered, reproduced or utilized in any way without written permission from Stuart Turner Ltd, Henley-on-Thames, Oxon, UK.

PUMP	DIMENSIONS (MM)	
	A	B
CH 4-50 SERIES	431	198
CH 4-60 SERIES	456	222



If drawing is to be used for constructional purposes please contact Stuart Turner Ltd and request a certified document.

Stuart Turner Ltd reserves the right to amend specifications without notice.

DRAWN	AJW
CHECKED	
DATE	04/11/2011

OUTLINE ARRANGEMENT MULTISTAGE 50 / 60 RANGE

SUPERSEDES *	
GENERAL LIMIT \pm 2.0	
FILE SOLIDEDGE FILES\DRAWING\PUMPS\CA41475-2	
MATL.	
ALL COMPONENTS SUPPLIED IN RELATION TO THIS DRAWING MUST BE IN FULL COMPLIANCE WITH THE RoHS DIRECTIVE (2002/95/EC)	

SCALE	1:2	A1
DRG.No.	41475	