

ECN No.	DATE	DETAILS	REVISION
3047	26/05/2011	FIRST ISSUE	1
3356	23/08/2013	UPDATE FOR WEB SITE IMAGES	2
*	*	*	*
*	*	*	*

STUART TURNER LTD HENLEY-ON-THAMES.

REVISION	DRG.No.
2	41486

THIRD ANGLE PROJECTION

DIMENSIONS IN MILLIMETRES

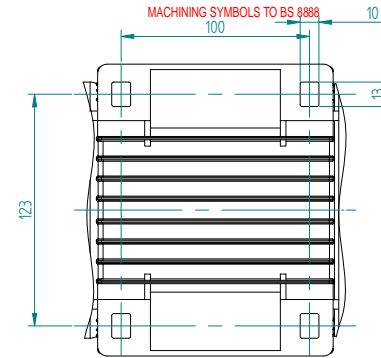
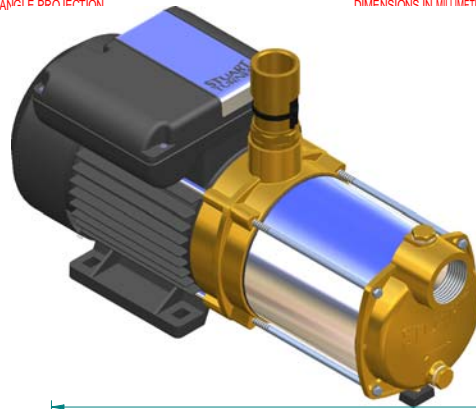
MACHINING SYMBOLS TO BS 8888

REMOVE ALL BURRS AND SHARP EDGES

Stuart Turner Ltd reserves the right to amend specifications without notice.

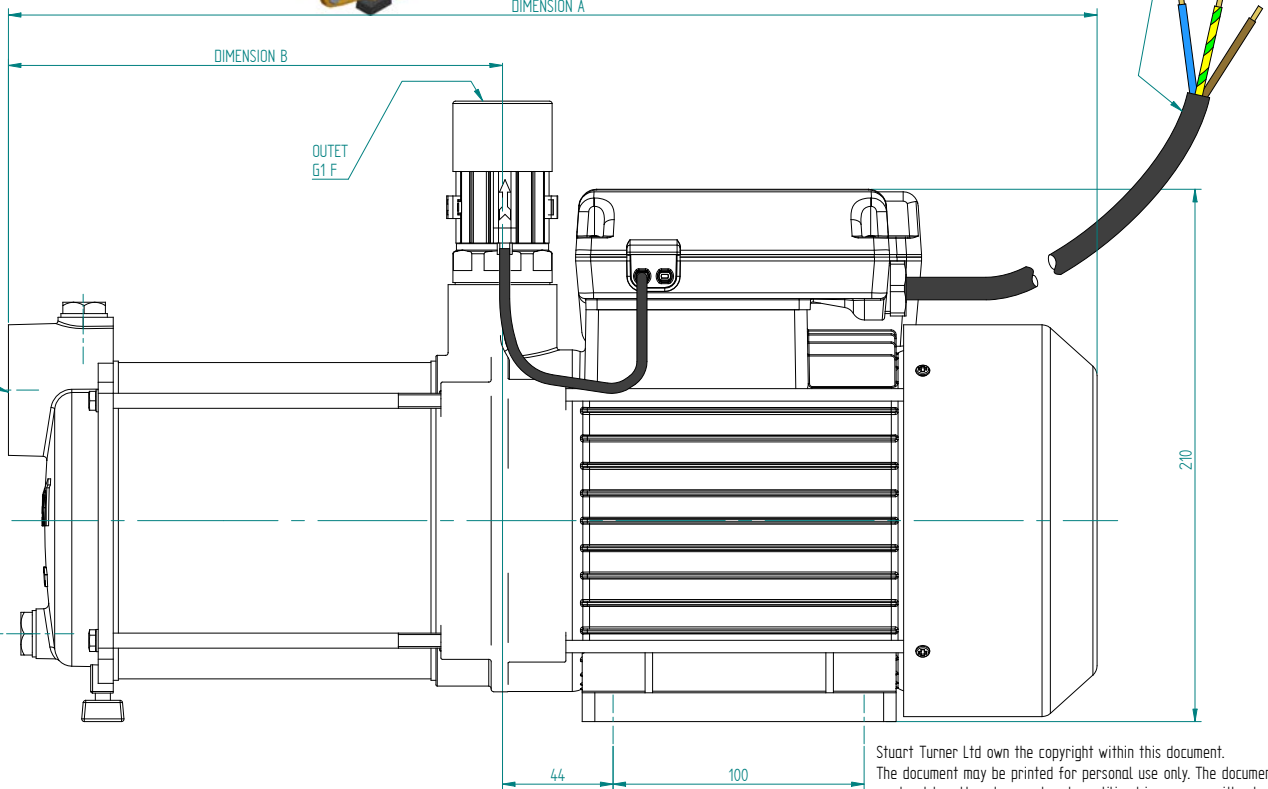
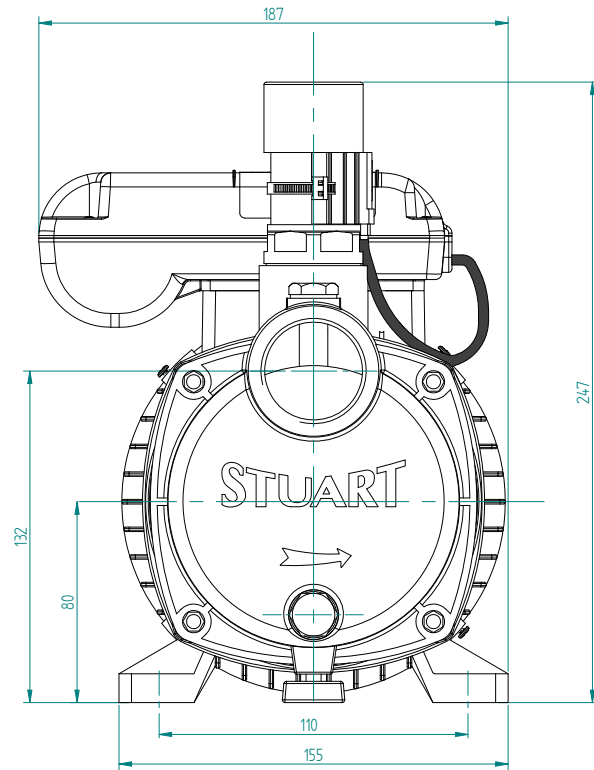
If drawing is to be used for constructional purposes please contact Stuart Turner Ltd and request a certified document.

PUMP	DIMENSIONS (MM)	
	A	B
CH 4-50FL	431	198
CH 4-60FL	456	222



CUTAWAY VIEW
UNDERSIDE OF FOOT

PREPARED CABLE
1.5M APPROX



Stuart Turner Ltd own the copyright within this document. The document may be printed for personal use only. The document must not be altered, reproduced or utilized in any way without written permission from Stuart Turner Ltd, Henley-on-Thames, Oxon, UK.

DRAWN	AJW
CHECKED	
DATE	26/05/2011

OUTLINE ARRANGEMENT MULTISTAGE 50 & 60 FL RANGE

SUPERSEDES	*
GENERAL LIMIT	± 2mm
FILE	SOLIDEDGE FILES/DRAFT/PUMPS/CA141485-2
MATL.	.
ALL COMPONENTS SUPPLIED IN RELATION TO THIS DRAWING MUST BE IN FULL COMPLIANCE WITH THE RoHS DIRECTIVE (2002/95/EC)	

SCALE	1:1	A1
DRG.No.	41486	