

ECN No.	DATE	DETAILS	REVISION
2967	02/9/2011	FIRST ISSUE	1
*	*	*	*
*	*	*	*
*	*	*	*

STUART TURNER LTD HENLEY-ON-THAMES.

REVISION	DRG No.
1	41500

THIRD ANGLE PROJECTION

DIMENSIONS IN MILLIMETRES

MACHINING SYMBOLS TO BS 8888

REMOVE ALL BURRS AND SHARP EDGES

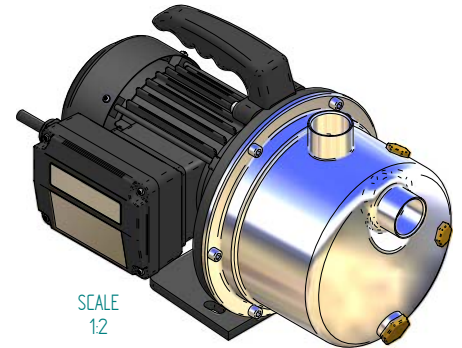
If drawing is to be used for constructional purposes please contact Stuart Turner Ltd and request a certified document

Stuart Turner Ltd own the copyright within this document. The document may be printed for personal use only. The document must not be altered, reproduced or utilized in any way without written permission from Stuart Turner Ltd, Henley-on-Thames, Oxon, UK.

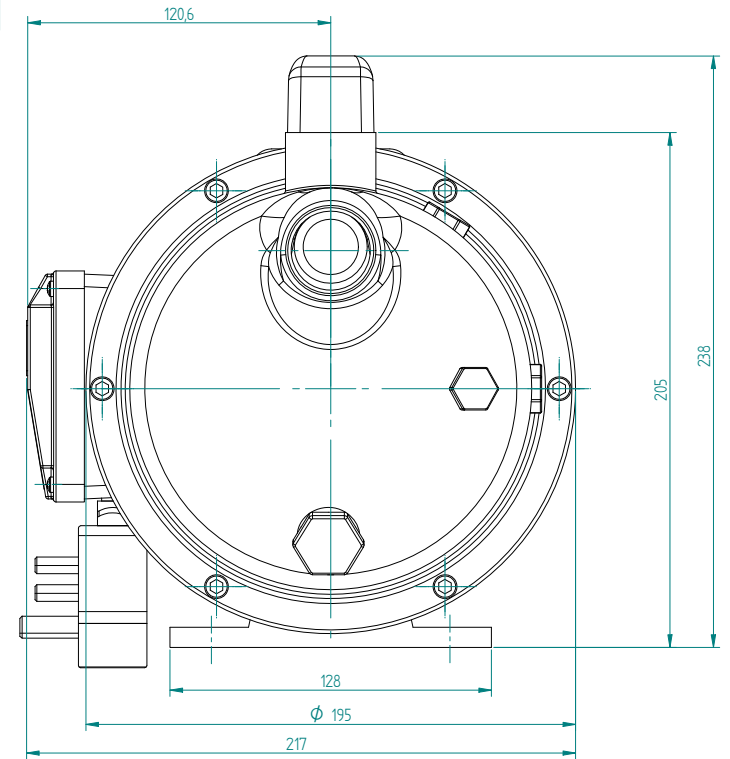
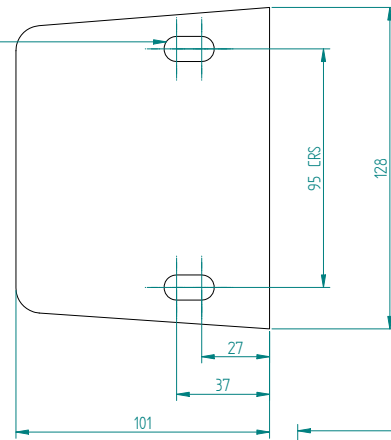
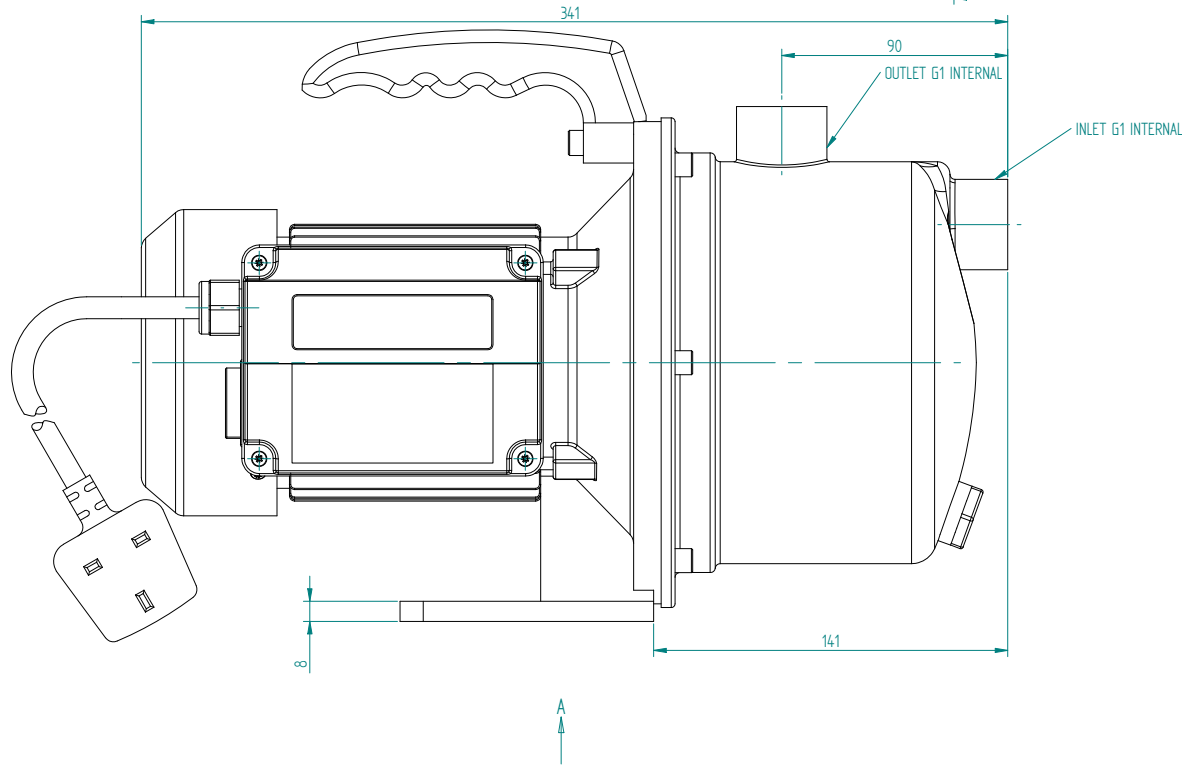
Stuart Turner Ltd reserves the right to amend specifications without notice.

2 OF SLOTS TO SUIT M8 BOLTS

VIEW A



SCALE 12



DRAWN	SJB
CHECKED	
DATE	14/3/2012

OUTLINE ARRANGEMENT FOR JET 55-45

SUPERSEDES	*
GENERAL LIMIT	± .
FILE	SOLIDEDGE FILES\DRAFT\PUMPS\CA141500-1
MATL.	.
ALL COMPONENTS SUPPLIED IN RELATION TO THIS DRAWING MUST BE IN FULL COMPLIANCE WITH THE RoHS DIRECTIVE (2002/95/EC)	

SCALE	1:1	A1
DRG.No.	41500	