

ECN No.	DATE	DETAILS	REVISION
3185	11/10/2012	NOTE ADDED	2
3338	16/07/2013	'B' DIMENSION ADDED	3
3345	26/07/2013	PORT FLANGES ADDED	4
3356	23/08/2013	UPDATE FOR WEB SITE IMAGES	5

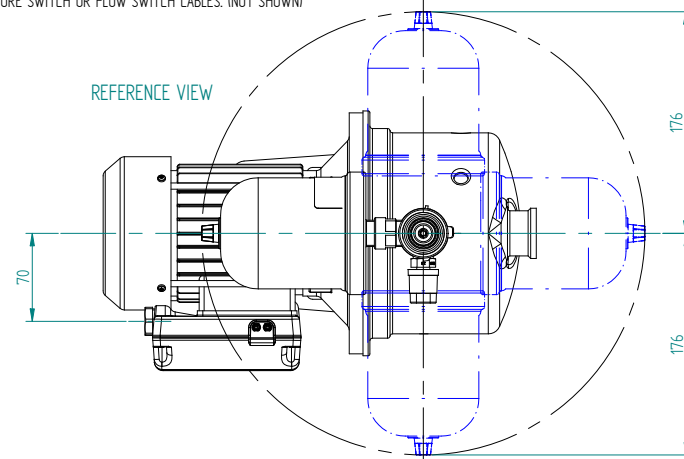
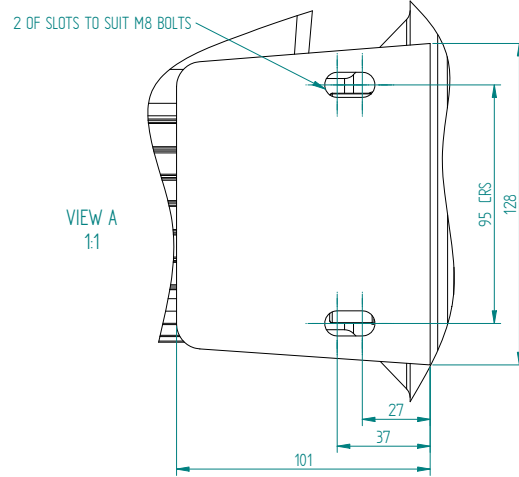
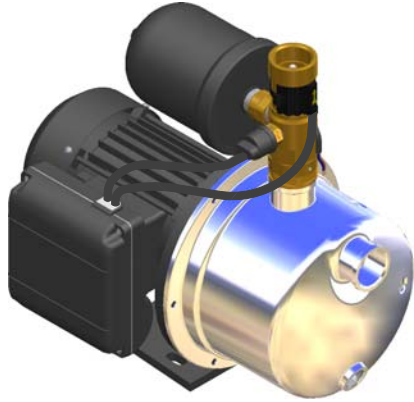
STUART TURNER LTD HENLEY-ON-THAMES.

REVISION	DRG No.
5	41514

REMOVE ALL BURRS AND SHARP EDGES
MACHINING SYMBOLS TO BS 308

THIRD ANGLE PROJECTION
DIMENSIONS IN MILLIMETRES

NOTE:
THE PRESSURE VESSEL CAN BE RE-POSITIONED IF REQUIRED TO SUIT SPECIFIC INSTALLATIONS,
HOWEVER, CARE MUST BE TAKEN WHEN RE-POSITIONING TO ENSURE NO STRAIN IS PLACED
UPON THE PRESSURE SWITCH OR FLOW SWITCH CABLES. (NOT SHOWN)



NOTE:

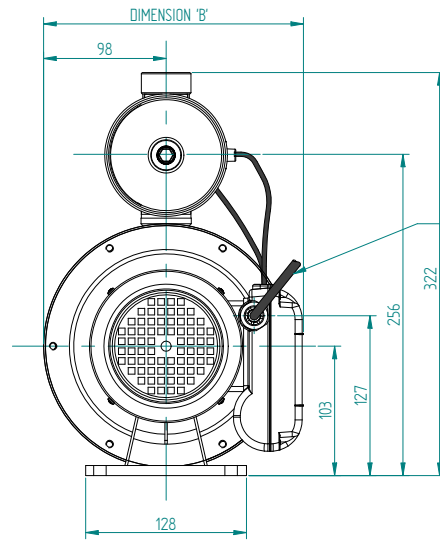
JET PUMP HANDLE AND FIXING BOLTS TO BE REMOVED
AND DISCARDED.
HOSE UNIONS, 2 OFF, TO BE PUT IN BOX WITH
FINISHED PUMP.

MODEL	DIMENSIONS (MM)	
	A	B
JET 55-45 B	341	207
JET 80-45 B	368	214

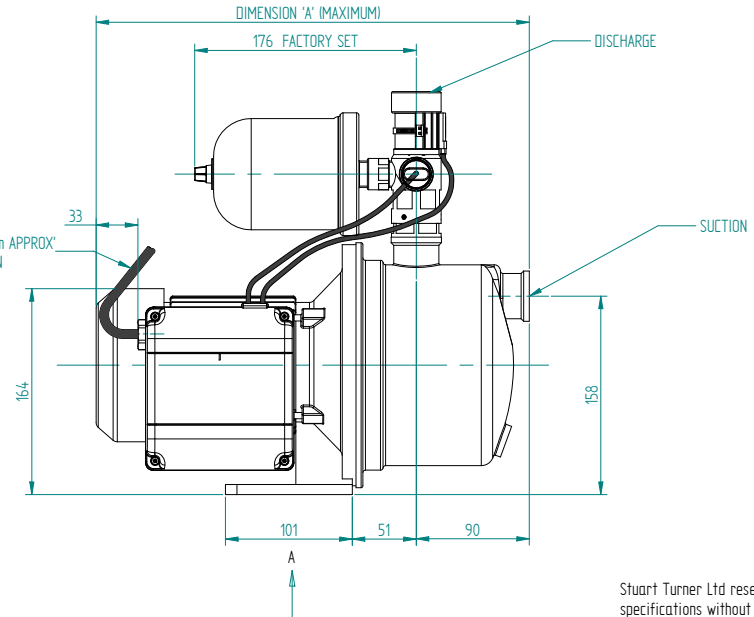
NOTE--
SUCTION - G1 F
DISCHARGE - G1 F

If drawing is to be used for constructional purposes please
contact Stuart Turner Ltd and request a certified document.

Stuart Turner Ltd own the copyright within this document.
The document may be printed for personal use only. The document
must not be altered, reproduced or utilized in any way without
written permission from Stuart Turner Ltd, Henley-on-Thames, Oxon, Uk.



SUPPLY LEAD 15m APPROX.
PLUG NOT SHOWN



Stuart Turner Ltd reserves the right to amend
specifications without notice.

DRAWN	SJB
CHECKED	
DATE	31/05/2012

OUTLINE ARRANGEMENT FOR JET 55-45 B & JET 80-45 B

USED ON	.
SUPERSEDES	.

GENERAL LIMIT	± 2
FILE	SOLIDEDGE FILES/DRAFT/PUMPS/GA141514-5
MATL.	N/A

SCALE	1:2	A1
DRG.No.	41514	