

ECN No.	DATE	DETAILS	REVISION
3464	20/02/2014	FIRST ISSUE	↑
*	*	*	*
*	*	*	*
*	*	*	*

# STUART TURNER LTD HENLEY-ON-THAMES.

REVISION	DRG No.
1	41621

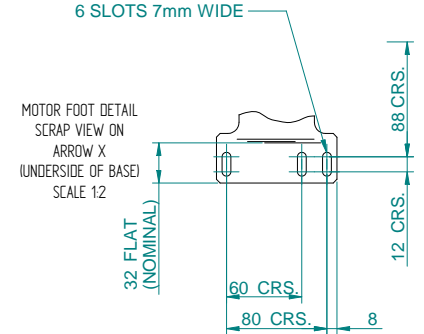
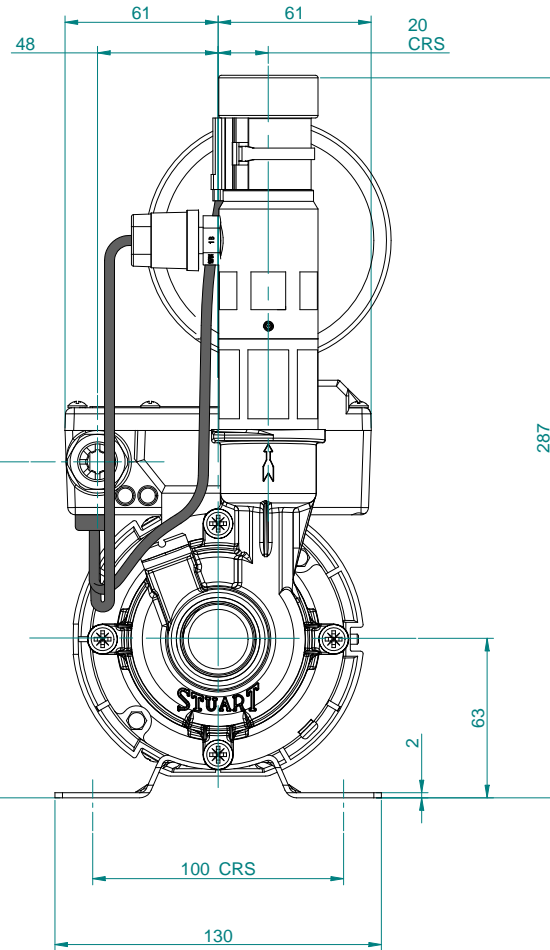
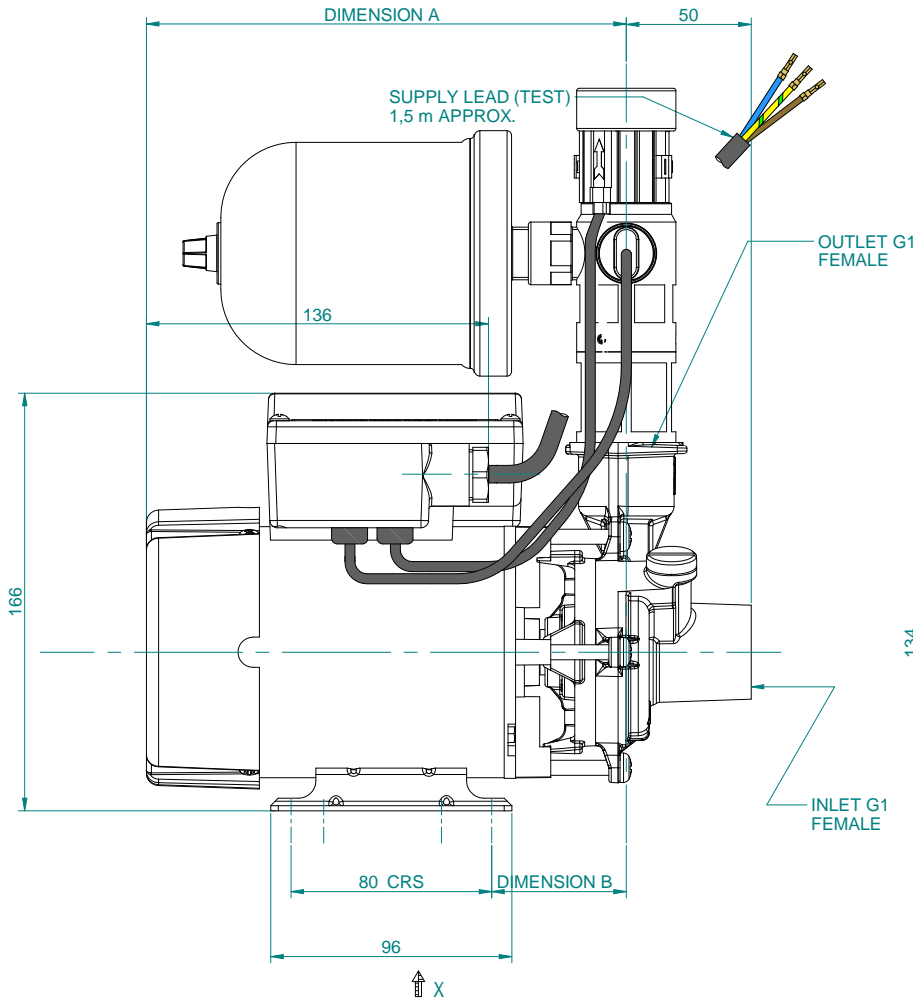
THIRD ANGLE PROJECTION  
 If drawing is to be used for constructional purposes please contact Stuart Turner Ltd and request a certified document

Stuart Turner Ltd reserves the right to amend specifications without notice.

DIMENSIONS IN MILLIMETRES MACHINING SYMBOLS TO BS 8888

REMOVE ALL BURRS AND SHARP EDGES

PUMP	DIM A	DIM B
PH 35 ES B	191	54
PH 45 ES B	220	54



Stuart Turner Ltd own the copyright within this document. The document may be printed for personal use only. The document must not be altered, reproduced or utilized in any way without written permission from Stuart Turner Ltd, Henley-on-Thames, Oxon, UK.

DRAWN	AJW
CHECKED	
DATE	06/03/2014

## OUTLINE ARRANGEMENT FOR PH ES B PUMPS

SUPERSEDES	40790-2
GENERAL LIMIT	± 2 mm
FILE	SOLIDEDGE FILES\DRAWING\PHESB\41621
MATL.	.
ALL COMPONENTS SUPPLIED IN RELATION TO THIS DRAWING MUST BE IN FULL COMPLIANCE WITH THE RoHS DIRECTIVE (2002/95/EC)	

SCALE	1:1	A1
DRG No.	41621	