



Peripheral Pumps

OPERATING INSTRUCTIONS

**Please leave this instruction booklet with the pump as it
contains maintenance and safety information
(Original Instructions)**

MODELS

Top Suction	End Suction
PH 35 TS PH 45 TS	PH 35 ES PH 45 ES

INDEX	Page No	INDEX	Page No
Application	2	Electrical Installation	6
Product Description	3	Noise	9
Limits of Application	3	Commissioning	9
Technical Specification	4	Maintenance	11
Connections	4	Trouble Shooting Guide	12
Siting of the Pump/Pipework	5	Environment Protection	12

IMPORTANT NOTES



- Please read these instructions fully before starting the installation:
- The installation must comply with the relevant water supply, electrical and building regulations and be installed by a competent person.
- If in doubt, consult Stuart Turner Ltd.

APPLICATION

The range of peripheral pumps is designed to pump clean fresh water. Other clean, non aggressive, non explosive liquids with similar characteristics to water may be pumped. Consult Stuart Turner for such applications.

The pumps can be used for pressure boosting, fluid transfer and distribution. They are suitable for flooded suction applications. Alternatively a maximum suction lift of 4.6 metres is permitted when using a Stuart footvalve/strainer.

WARNING AGAINST MISUSE



- This pump set must not be used for any other application without the written consent of Stuart Turner Limited. In particular, it must not be connected directly to the mains water supply, or used outside the conditions specified in the limits of application.
- This appliance can be used by children aged from 8 years and above and persons with reduced physical, sensory or mental capabilities or lack of experience and knowledge if they have been given supervision or instruction concerning use of the appliance in a safe way and understand the hazards involved. Children shall not play with the appliance. Cleaning and user maintenance shall not be made by children without supervision.
- Children should be supervised to ensure that they do not play with the appliance.

PRODUCT DESCRIPTION

Motor:

Induction type, totally enclosed fan ventilated cooling*, continuously rated*, class 'F' insulation. Motors comply with IEC34-1. Single phase versions incorporate a permanent capacitor and integral auto resetting thermal overload protection.

The standard range of motors are suitable for a supply of 230V, 1 phase, 50Hz.

Optional motors are available on certain models to suit various voltages and frequencies (see technical specification for details).

*Variations of rating and enclosure details can be found in the technical specification section.

Pump

All models are close coupled to motor.

PH 35 TS & PH 45 TS are of single stage, peripheral design, with vertical suction and discharge ports.

PH 35 ES & PH 45 ES are of single stage, end suction, peripheral design.

Standard pump materials of construction of major wetted parts are as follows: -

Model	Body	Impeller	Shaft	Mechanical Seal
ALL	Brass	Brass	Stainless Steel	Nitril/Carbon Ceramic/Stainless Steel

Other seal material options are available on certain models.

LIMITS OF APPLICATION

Model	Supply	Max. Liquid Temp. °C	Min. Liquid Temp. °C	Max. Ambient Air Temp °C	Max. Suction Lift (m)	Max. Head (Pump Closed Valve) (m)	Max. Viscosity		**Max. Working Pressure kPa (bar)	Max. Inlet Head (m)	Max. No. Starts/h
							(Redwood No. 1 Scale)	Centistokes			
PH 35 TS	230/1/50	80	4	40	4.6*	30.7	50	9.5	600 (6)	30	60
PH 45 TS	230/1/50	80	4	40	4.6*	41.6	50	9.5	600 (6)	19	60
PH 35 ES	230/1/50	80	4	40	4.6*	29.8	50	9.5	600 (6)	31	60
PH 45 ES	230/1/50	80	4	40	4.6*	42.0	50	9.5	600 (6)	19	60

* With footvalve fitted.

**Note: Max working pressure is the maximum pressure that can be applied to the pump internal casing under any installation conditions.

TECHNICAL SPECIFICATION

Model	Supply	Nominal Watts Output (Motor)	Max. Watts Consumed	Full Load (AMPS)	Enc. Rating	Duty Rating	Dimensions (mm)			Gross Weight (packed) kg
							L	W	H	
PH 35 TS	230/1/50	120	380	1.6	IP44	Continuous (S1) @ 2.5 l/min & above	209	130	166	4.8
PH 45 TS	230/1/50	300	540	2.4	IP44	Continuous (S1) @ 2.5 l/min & above	238	130	166	6.2
PH 35 ES	230/1/50	120	380	1.6	IP44	Continuous (S1) @ 2.5 l/min & above	241	130	166	5.0
PH 45 ES	230/1/50	300	540	2.4	IP44	Continuous (S1) @ 2.5 l/min & above	270	130	166	6.5

Stuart Turner reserve the right to amend the specification in line with its policy of continuous development of its products.

Note: For information on other voltages/frequencies which are not shown, consult any supplementary instruction sheet supplied, or the rating label attached to the pump.

CONNECTIONS

Model	Voltage	Inlet	Outlet	Fig. No.
PH 35 TS	230/1/50	G $\frac{3}{4}$ F	G $\frac{3}{4}$ F	2
PH 45 TS	230/1/50	G $\frac{3}{4}$ F	G $\frac{3}{4}$ F	2
PH 35 ES	230/1/50	G1F	G1F	1
PH 45 ES	230/1/50	G1F	G1F	1

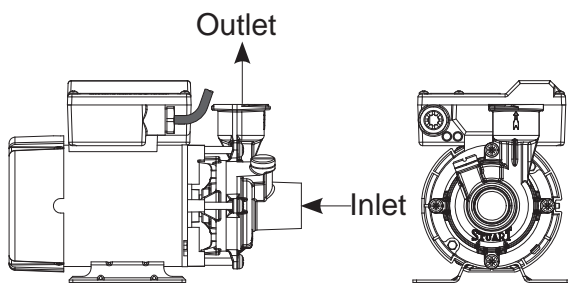


Fig. 1

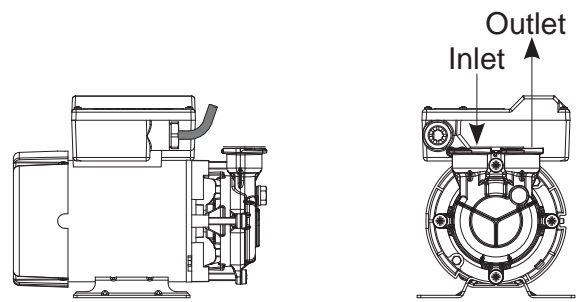


Fig. 2

Cont ...

SITING OF THE PUMP/PIPEWORK

WARNINGS:



- **Pump Location**
If possible site the pump in a location where in the unlikely event of a liquid leak, any spillage is contained or routed to avoid electrics or areas sensitive to liquid damage.
- Care should be taken to protect the pump from frost and freezing.
- Ensure pipework to and from pump is independently supported to prevent stress on the pump inlet and outlet branches.
- Do not fit a non-return valve, or devices which contain non-return valves, in the suction (inlet) pipework to the pump. Exceptions can be made in the case of suction lift installations when a footvalve is required.
- When a footvalve is required on installations that incorporate automatic pump control, it is recommended that a suitable pressure relief valve be fitted in the discharge (outlet) pipework from the pump.
- Do not run against a closed valve for periods longer than 5 minutes.
- Do not allow plastic pump parts to come into contact with oil or cellulose based paints, paint thinners or strippers, acid based descalents or aggressive cleaning agents.
- Do not introduce solder flux to pumps or pump parts manufactured from plastic. All solder joints should be completed and flux residues removed prior to pump connection.
- The motor casing can become very hot under normal operating conditions. Care should be taken to ensure it cannot be touched during operation.
- Always install isolating valves to both suction and delivery pipework.

Site the pump in a horizontal, dry, frost-free position where it cannot be sprayed with water and as close to the liquid source as possible.

The pump enclosure must be ventilated and there should be a minimum clearance of 80 mm between the pump and housing on all sides.

To prevent loss of pressure through pipework, use pipe size to match pump whenever possible, minimising 90° bends.

It must be ensured that storage capacity of the liquid supply is adequate for the flow rates required by the pump.

The pipework feeds to the storage tank should be of adequate size to ensure replenishment rate of tank is sufficient to meet the needs of the pump.

Isolating valves should be fitted in suction and delivery pipework to enable easy isolation and access to the pump.

When the pump is to be installed in areas where there is a risk of debris or scale build up within the system, it is recommended that the inlet pipework is fitted with an inline strainer.

Cont ...

Pump Mounted Above Liquid Source (Suction Lift)

The pumps can be used in a suction lift installation providing the height of lift is within the limits specified in the limits of application section.

A footvalve and strainer must always be used and the suction pipework size should be 22 mm throughout.

Lay the suction piping over the shortest possible distance and ensure there is a constant rise from the liquid source to the pump. Any high spots will cause air pockets to form, reducing system efficiency.

Ensure all joints in suction pipework are completely airtight. Failure to comply will result in loss of prime.

The intake of the footvalve/strainer should be positioned such that it cannot be blocked with debris or silt that are frequently found in the bottom of sumps and wells.

When a footvalve is installed on installations that incorporate automatic pump control, it is recommended that a suitable pressure relief valve be fitted in the discharge (outlet) pipework from the pump.

ELECTRICAL INSTALLATION / EARTHING

Regulations: The electrical installation must be carried out in accordance with the current national electrical regulations and installed by a qualified person.

Safety: In the interests of electrical safety a 30 mA residual current device (**R.C.D. not supplied**) should be installed in the supply circuit. This may be part of a consumer unit or a separate unit.

Before starting work on the electrical supply ensure power supply is isolated.

DO NOT allow the supply cord to contact hot surfaces, including the motor shell, pump body or pipework. The cord should be safely routed and secured by cable clips.

Adjacent pipes: Adjacent suction and delivery pipes should be fitted with earthing clamps to BS 951 in accordance with current regulations (Fig. 9).

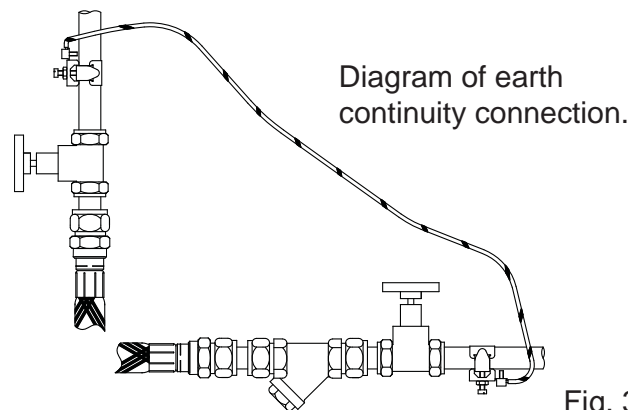


Fig. 3

Earthing: This appliance must be earthed via the supply cord, which must be correctly connected to the earth point located in the terminal box.

Pipework: Copper or metallic pipework must have supplementary earth bonding where the continuity has been broken by flexible hoses or plastic components.

Additional earthing: Certain installations may require additional earthing arrangements such as equipotential bonding. Reference should be made to the relevant regulations concerning this subject to ensure compliance.

Connections: The pump must be permanently connected to the fixed wiring of the mains supply using the factory fitted supply cord, via a double pole switched fused spur off the ring main and **NOT** connected to the boiler or the immersion heater circuits.

Cont ...

Wiring of connection unit




WARNING: This appliance must be earthed.

The wires in the mains lead are coloured in accordance with the following code:

Green and Yellow: Earth Blue: Neutral Brown: Live

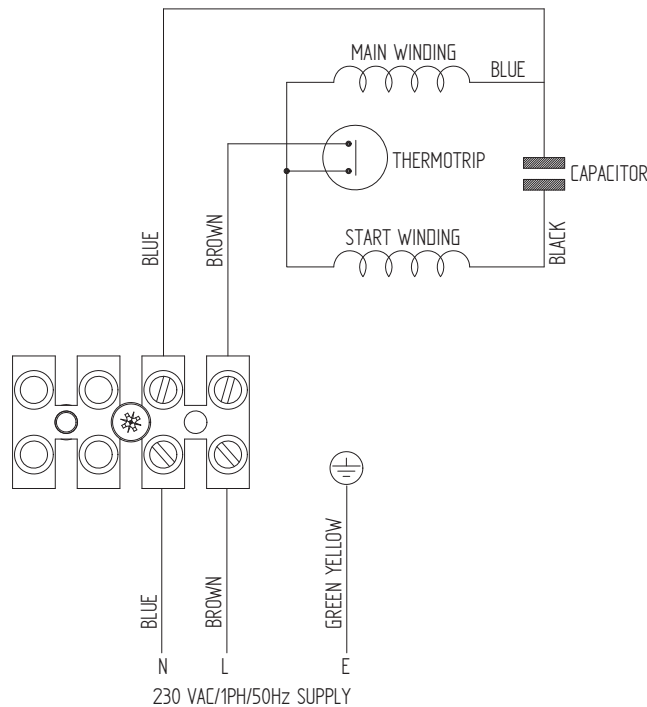
As the colours of the wires in the mains lead of this appliance may not correspond with the coloured markings identifying the terminals in your connection unit proceed as follows:

The wire which is coloured green and yellow must be connected to the terminal in the connection unit which is marked with the letter E or by the earth symbol:  or coloured green or green and yellow.

The wire which is coloured blue must be connected to the terminal which is marked with the letter N or coloured black.

The wire which is coloured brown must be connected to the terminal which is marked with the letter L or coloured red.

Wiring Diagrams:



Fuses:

The following fuse size should be used with the appropriate pump:

Model	Fuse Size (AMPS)
All models	13

Cont ...

Supply Cord Replacement:



The supply cord and internal wiring within the terminal box are routed and secured to ensure compliance with the electrical standard EN 60335-1. It is essential that prior to any disturbance of this internal wiring, all cable routing and securing details are carefully noted to ensure re-assembly to the same factory pattern is always maintained.

If the supply cord is to be changed or is damaged, it must be replaced with a special cord assembly available from Stuart Turner or one of their approved repairers.

On disassembly note the cord retention and routing system. Re-assemble to the same pattern.

For information on cable connection consult the wiring diagram and cable gland fitting instructions.

Cable Gland Fitting Instructions:

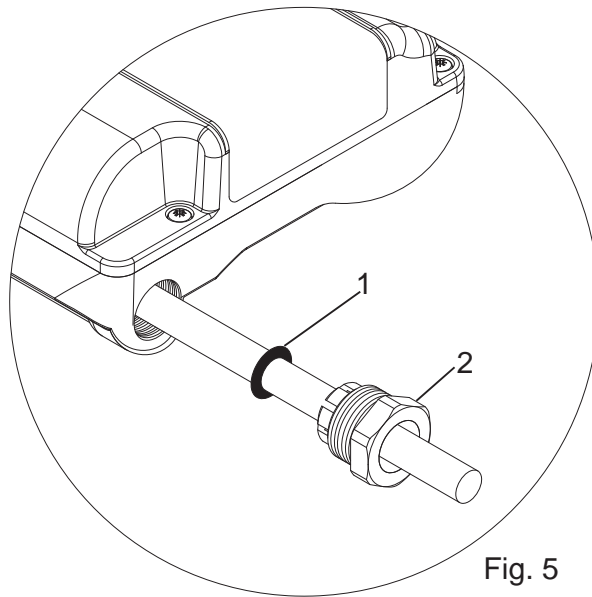


Fig. 5

To enable correct assembly of the cable gland the 'O'-ring (Fig. 12 item 1) must be placed over the cable before the clamping insert (Fig. 12 item 2) can be tightened.

Note: Cable diameter range:- 6.5 mm to 9.5 mm.

Supply Cord Extension:

The pumps are fitted with a supply cord to the following specification:-

All models HO5VV-F3 G 0.75 mm² - 6 Amp rated cable.

If the supply cord is to be extended, a cord of the same specification should be used.

Any connections or junction boxes used should be specifically suited for the application and installed in accordance with the manufacturers instructions.

NOISE

The equivalent continuous A-weighted sound pressure level from the pumpset does not exceed 70 dB(A) at a distance of one metre.

COMMISSIONING

WARNINGS:



- The motor casing can become very hot under normal operating conditions, care should be taken to ensure it cannot be touched during operation.
- Do not run pump without guards and terminal box lid correctly fitted.
- The pump chamber must be full of liquid at all times. Seal damage will result if the pump runs dry.



1. System Flushing

Some pumps incorporate plastic and rubber components that must not come into contact with solder flux, acid-based descalents or aggressive cleaning agents. The pipework system should be flushed out prior to the pump being connected, to ensure any contaminants/chemical residues and foreign bodies are removed from elsewhere in the system.



2. Liquid Supply

Always ensure that liquid storage capacity is adequate to meet the demand. Ensure the pump chamber is full of liquid before starting the pump. Failure to do this could result in seal damage. To ensure dry running does not occur the pumps must be primed as described in the priming section. **Do not run pump dry.**

3. Ensure electrical supply is compatible with the details that are stated on the pump rating plate. (The wrong voltage or frequency can be dangerous and may damage the pump.)

4. Priming

a) End suction models (flooded suction)

These models are supplied with priming plugs fitted.

The pump must be primed (filled with liquid) before starting. Turn on liquid supply, prime and vent the pump by unscrewing the priming plug (Fig. 6) slowly until all air escapes and liquid emerges. Re-tighten the plug.

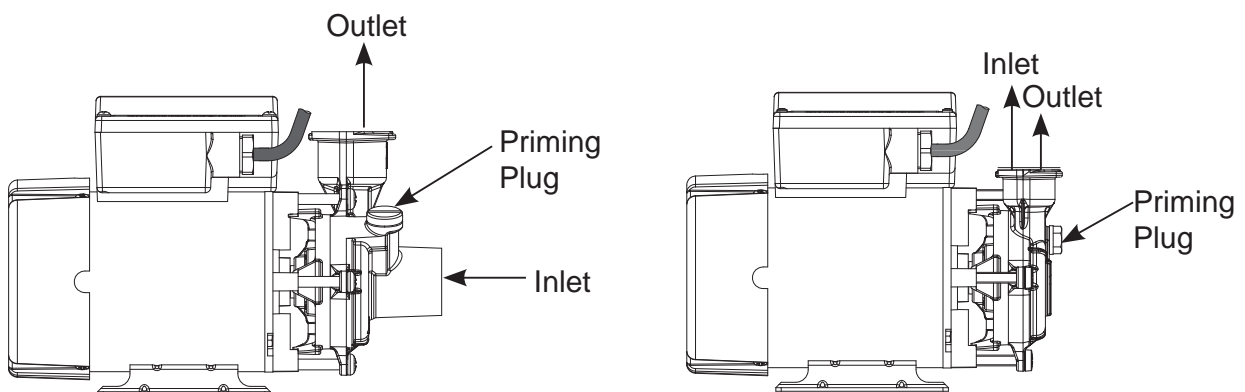


Fig. 6

b) Vertical suction models (flooded suction)

These models are supplied with priming plugs fitted. Certain models are also available with the pump body rotated.

Priming instructions for these variants are as follows:-

The pump must be primed (filled with liquid) before starting. Turn on liquid supply, prime and vent the pump by unscrewing the priming plug (Fig. 7) slowly until all air escapes and liquid emerges. Re-tighten the plug.

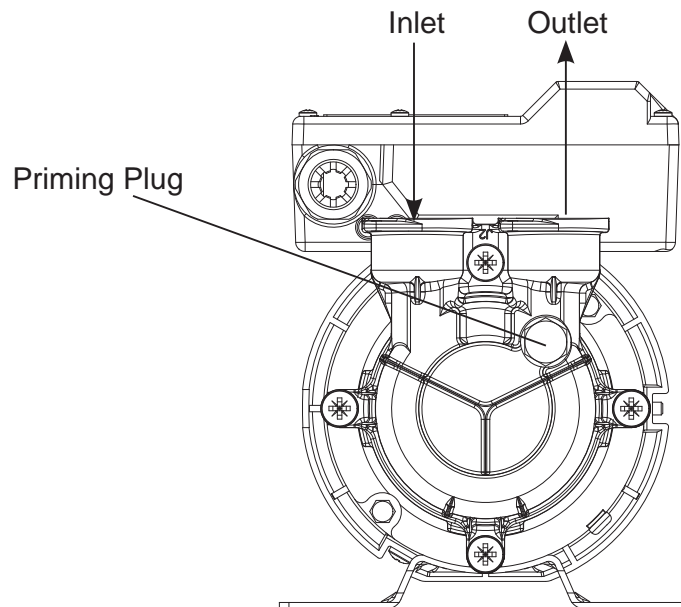


Fig. 7

c) All models (suction lift installation)

Prime the suction pipework and pump by filling with liquid via the pump discharge connection, or by filling the suction pipework before attaching to the pump, then fill the pump.

5. Starting

- a) Switch on power to the pump which will now be operational.
- b) If pump has a three phase supply, confirm the direction of rotation is correct by stopping and observing over run. The correct direction of rotation is anti-clockwise when looking directly at the front of the pump casing. To reverse rotation see wiring diagram section.
- c) The pump should now be fully operational.
- d) Carefully check pump and pipework for leaks whilst pump running and stationary before leaving the installation unattended.

For Further Technical Support

Phone the Stuart Turner PumpAssist team on 0844 98 000 97. Our staff are trained to help and advise you over the phone or arrange for a service engineer to call.

Note: When pumps are installed in another manufacturers original equipment, please contact the manufacturer for advice.

MAINTENANCE

WARNINGS:



- Care should be taken to protect the pump from frost and freezing.
- **Pump Location**
If possible site the pump in a location where in the unlikely event of a liquid leak, any spillage is contained or routed to avoid electrics or areas sensitive to water damage.

1. No routine maintenance is required but provision should be made for easy access to the pump to allow for repairs due to normal wear and tear.
2. Disconnect electrical supply before working on pump.
3. Turn off liquid supplies to the pump and release pressure by opening outlets before attempting maintenance.
4. If the installation is fitted with a footvalve and strainer or inline suction strainer, the strainer must be cleaned as necessary to ensure the pump has unrestricted flow.
5. After maintenance is completed, refer to commissioning section for instructions on restarting pump.

Cleaners, Disinfectants and Descalents



On installations where chemical disinfectants or descalents are periodically used, the compatibility of the chemical solution regarding the pump must be considered.

Acid based descalents and aggressive cleaning agents must not come into contact with the pump. The pump must be removed from the system prior to the use of these products. The system should be flushed to remove all chemicals before the pump is re-connected.

If in any doubt as to the suitability of the chemical solutions refer to Stuart Turner Ltd.

STORAGE

If this product is not installed immediately on receipt, store in a dry, frost and vibration free location in its original packaging.

TROUBLE SHOOTING GUIDE

Symptoms	Probable Cause	Recommended Action
Pump will not start.	<p>Electrical supply.</p> <p>Starter thermal overload tripped.</p> <p>Integral motor thermotrip activated.</p>	<p>Check power to motor.</p> <p>Check the circuit breaker is set.</p> <p>Check the correct fuse is being used.</p> <p>Check overload in starter (if applicable). Investigate cause of problem.</p> <p>Wait for thermotrip to cool and auto-reset. Investigate cause of problem.</p>
Pump runs, but no liquid.	<p>Air locked.</p> <p>No liquid supply.</p> <p>Connections reversed.</p> <p>No flooded suction.</p>	<p>Bleed pipework and pump to clear air.</p> <p>Check the supply valves are turned on. Check outlet not restricted or blocked.</p> <p>Check liquid connections are on the right way round.</p> <p>Check the pump has a flooded suction and is primed.</p> <p>If a suction lift exists fit a Stuart footvalve/strainer and ensure suction is airtight. Prime the pump and suction pipe (see commissioning section).</p>

ENVIRONMENT PROTECTION

Your appliance contains valuable materials which can be recovered or recycled.

At the end of the products' useful life, please leave it at an appropriate local civic waste collection point.

Cont ...

YOUR 1 YEAR GUARANTEE

Stuart Pumps are guaranteed by Stuart Turner Limited to be free from defects in materials or workmanship for the applicable guarantee period from the date of purchase. The applicable guarantee period is stated in the installation booklet supplied with the pump. Within the guarantee period we will repair, free of charge, any defects in the pump resulting from faults in material or workmanship, repairing, exchanging parts or exchanging the whole unit as we may reasonably decide.

Not covered by this guarantee: Damage arising from incorrect installation, improper use, unauthorised repair, normal wear and tear and defects which have a negligible effect on the value or operation of the pump.

Reasonable evidence must be supplied that the pump has been purchased within the applicable guarantee period prior to the date of claim (such as proof of purchase or the pump serial number).

This guarantee is in addition to your statutory rights as a consumer. If you are in any doubt as to these rights, please contact your local Trading Standards Department or Citizen's Advice Bureau.

In the event of a claim please telephone Stuart Turner Limited on 0844 980 0097 or return your pump and flexible hoses with accessories removed, plugs, pipes etc. If you have any doubt about removing a pump, please consult a professional.

Proof of purchase should accompany the returned pump to avoid delay in investigation and dealing with your claim.

NOTES

NOTES



DECLARATION OF CONFORMITY

2006/42/EC

BS EN ISO 12100-1, BS EN ISO 12100-2, BS EN 809

2006/95/EC

BS EN 60335-1, BS EN 60335-2-41

2004/108/EC

BS EN 55014-1, BS EN 55014-2, BS EN 55022, BS EN 61000-3-2, BS EN 61000-3-3,
BS EN 61000-4-2, BS EN 61000-4-3, BS EN 61000-4-4, BS EN 61000-4-5, BS EN 61000-4-6,
BS EN 61000-4-11

1999/519/EC

BS EN 62233

2011/65/EU

IT IS HEREBY CERTIFIED THAT THE STUART ELECTRIC MOTOR DRIVEN PUMP AS SERIAL NUMBER BELOW, COMPLIES WITH THE ESSENTIAL REQUIREMENTS OF THE ABOVE E.E.C. DIRECTIVES.

(.....)

RESPONSIBLE PERSON
AND MANUFACTURER

STUART TURNER LIMITED
HENLEY-ON-THAMES, OXFORDSHIRE
RG9 2AD ENGLAND.

Signed  Business Development Director

Stuart Turner are an approved company to BS EN ISO 9001:2000



Stuart Turner Ltd, Henley-on-Thames, Oxfordshire RG9 2AD ENGLAND

Tel: +44 (0) 1491 572655, Fax: +44 (0) 1491 573704

info@stpumps.co.uk www.stuart-turner.co.uk

V.A.T. REG. No. 199 0987 92. Registered in England No. 88368. Registered Office: Market Place, Henley-on-Thames