

ECN No.	DATE	DETAILS	REVISION
3465	21/02/2014	FIRST ISSUE	↑
*	*	*	*
*	*	*	*
*	*	*	*

# STUART TURNER LTD HENLEY-ON-THAMES.

REVISION	DRG No.
1	41630

THIRD ANGLE PROJECTION

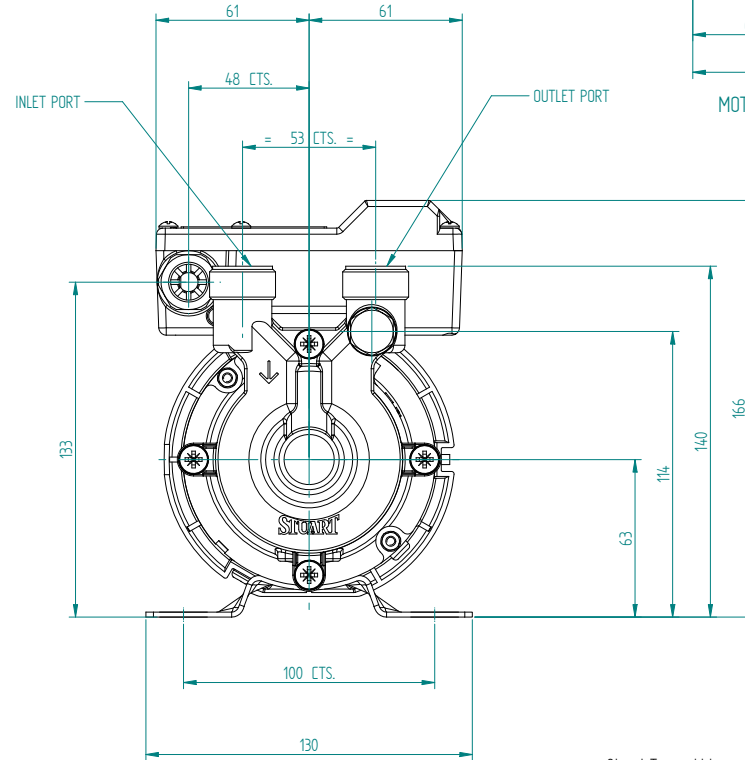
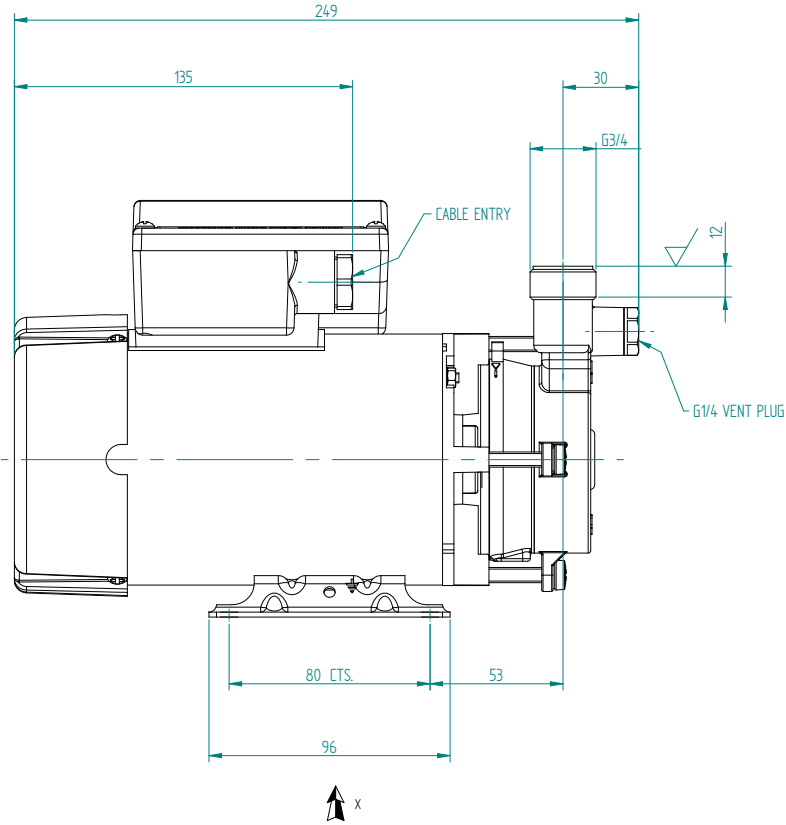
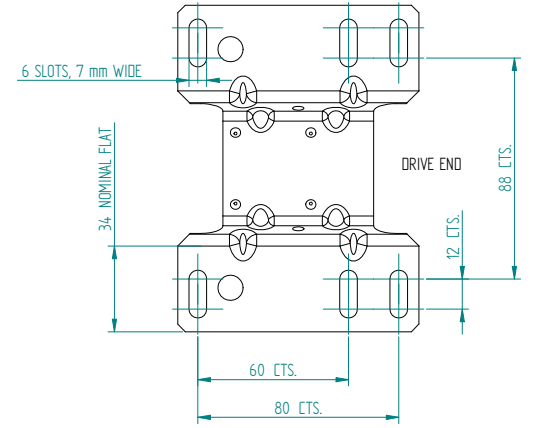
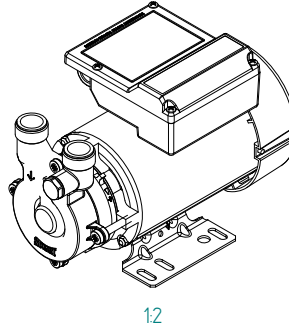
DIMENSIONS IN MILLIMETRES

MACHINING SYMBOLS TO BS 8888

REMOVE ALL BURRS AND SHARP EDGES

If drawing is to be used for constructional purposes please contact Stuart Turner Ltd and request a certified document.

Stuart Turner Ltd reserves the right to amend specifications without notice.



Stuart Turner Ltd own the copyright within this document. The document may be printed for personal use only. The document must not be altered, reproduced or utilized in any way without written permission from Stuart Turner Ltd, Henley-on-Thames, Oxon, UK.

DRAWN	PL
CHECKED	
DATE	25/02/2014

## OUTLINE ARRANGEMENT PH 45 TS S

SUPERSEDES *	GENERAL LIMIT ± 2mm
FILE SOLIDEDGE FILES\DRAWING\PUMPS\GA\41630-1	MATL. N/A
ALL COMPONENTS SUPPLIED IN RELATION TO THIS DRAWING MUST BE IN FULL COMPLIANCE WITH THE CURRENT RoHS DIRECTIVE	

SCALE	1:1	A1
DRG.No.	41630	