

showermate

Universal Twin Pumps

Showermate pumps are the ideal solution to boost the performance of single shower applications to provide an invigorating showering experience.

Designed for domestic use only, Showermate Universal pumps will function under both positive and negative head conditions and are suitable for installation into open vented hot and cold water systems.

Universal pumps do not require a gravity flow of water to start.

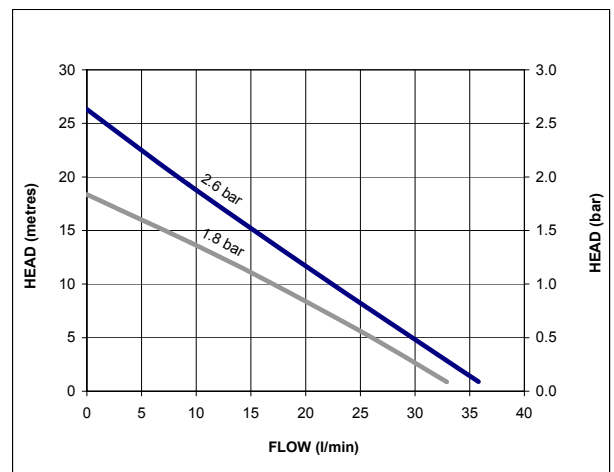


Features

- Durable plastic construction
- 1.8 and 2.6 bar performance options
- Automatic switching
- Nitrile/carbon/ceramic seal
- Fully automatic
- 15 mm push-in flexible hoses with integral isolating valves on inlets
- G 3/4 threaded connections
- Pre-wired with 1.5 metre power cable
- Anti-vibration feet
- 3-year guarantee (subject to conditions)

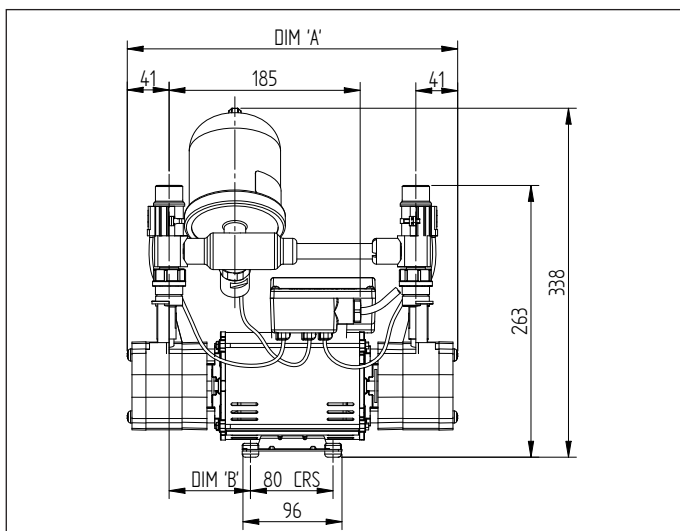
Application

- Boost hot and cold water supplies equally
- Single function shower
- Multi-function shower
- Bath/basin mixer tap



showermate

Pump Model		U1.8 bar Twin 46532	U2.6 bar Twin 46533
General	Guarantee	3 years	
	WRAS approval	1212078	
Features	Pump type	Peripheral	
	Mechanical seal	Nitrile / Carbon / Ceramic	
	Anti-vibration feet	✓	✓
	Flexible hoses	4	4
	Run on Timer	3 sec	3 sec
	Dry run protection	✓	✓
Performance	Maximum head (closed valve)	1.8 bar	2.6 bar
	Performance @ 9 l/min	1.4 bar	2.0 bar
	Performance @ 18 l/min	0.8 bar	1.3 bar
	Maximum flow	33 l/min	36 l/min
	Maximum static inlet pressure	6 metres	
	Maximum static outlet pressure	6 metres	
	Maximum working pressure*	380 kPa (3.8 bar)	
	Maximum ambient air temperature	40 °C	
	Min / Max water temperature**	Min 4 °C / Max 65 °C	
	Flow switch sensitivity (approx)	0.8 l/min	
	Pressure vessel air pre-charge	1.5 bar (21.75 psi)	
Connections	Pump connections	G ¾ male	
Flexible hoses	Connections	G ¾ female x 15 mm push-in x 200 mm long, isolating valves on inlet hoses	
Motor	Type	Induction, auto-reset thermal trip	
	Duty rating	Int (S3) 30 mins on/30 mins off @ 9 l/min	
Electrical	Power supply / phase / frequency	230 V a.c. / 1 / 50 Hz	
	Current (full load)	1.9 Amps	2.5 Amps
	Power consumption	440 Watts	610 Watts
	Fuse rating	5 Amps	
	Power cable (pre-wired)	1.5 metres	
Physical	Enclosure protection	IP22	
	Length	305 mm	320 mm
	Width	139 mm	
	Height (excluding hoses)	338 mm	
	Weight (including fittings)	5.6 Kg	6.4 Kg



* The maximum pressure that can be applied to the pump under any installation conditions.

** A stored water temperature of 60 °C is considered sufficient to meet all normal requirements and will minimise deposition of scale in hard water areas.

Pump Description	Dim. 'A'	Dim. 'B'
U1.8 bar Twin	305 mm	72 mm
U2.6 bar Twin	320 mm	79 mm

Stuart Turner Limited reserves the right to amend specifications without notice.