

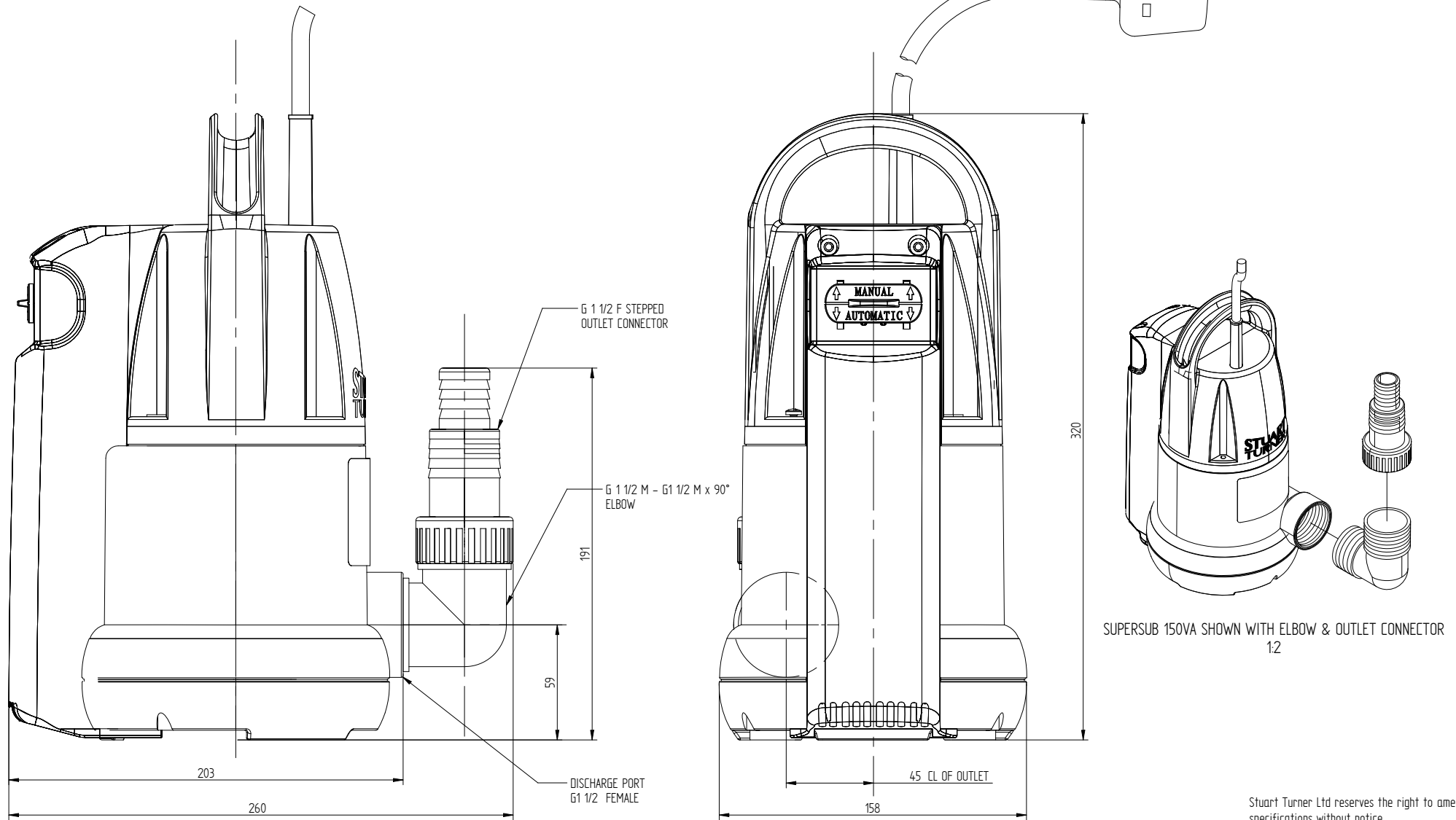
STUART TURNER LTD HENLEY-ON-THAMES.

THIRD ANGLE PROJECTION

DIMENSIONS IN MILLIMETRES

If drawing is to be used for constructional purposes please contact Stuart Turner Ltd and request a certified document.

10 METRES OF CABLE C/W
THREE PIN PLUG TO BS 1363-1



Stuart Turner Ltd reserves the right to amend specifications without notice.

Stuart Turner Ltd own the copyright within this document. The document may be printed for personal use only. The document must not be altered, reproduced or utilized in any way without written permission from Stuart Turner Ltd, Henley-on-Thames, Oxon, UK.

GENERAL ARRANGEMENT OF A SUPERSUB 150VA

W41388

DATE: 15/07/2010

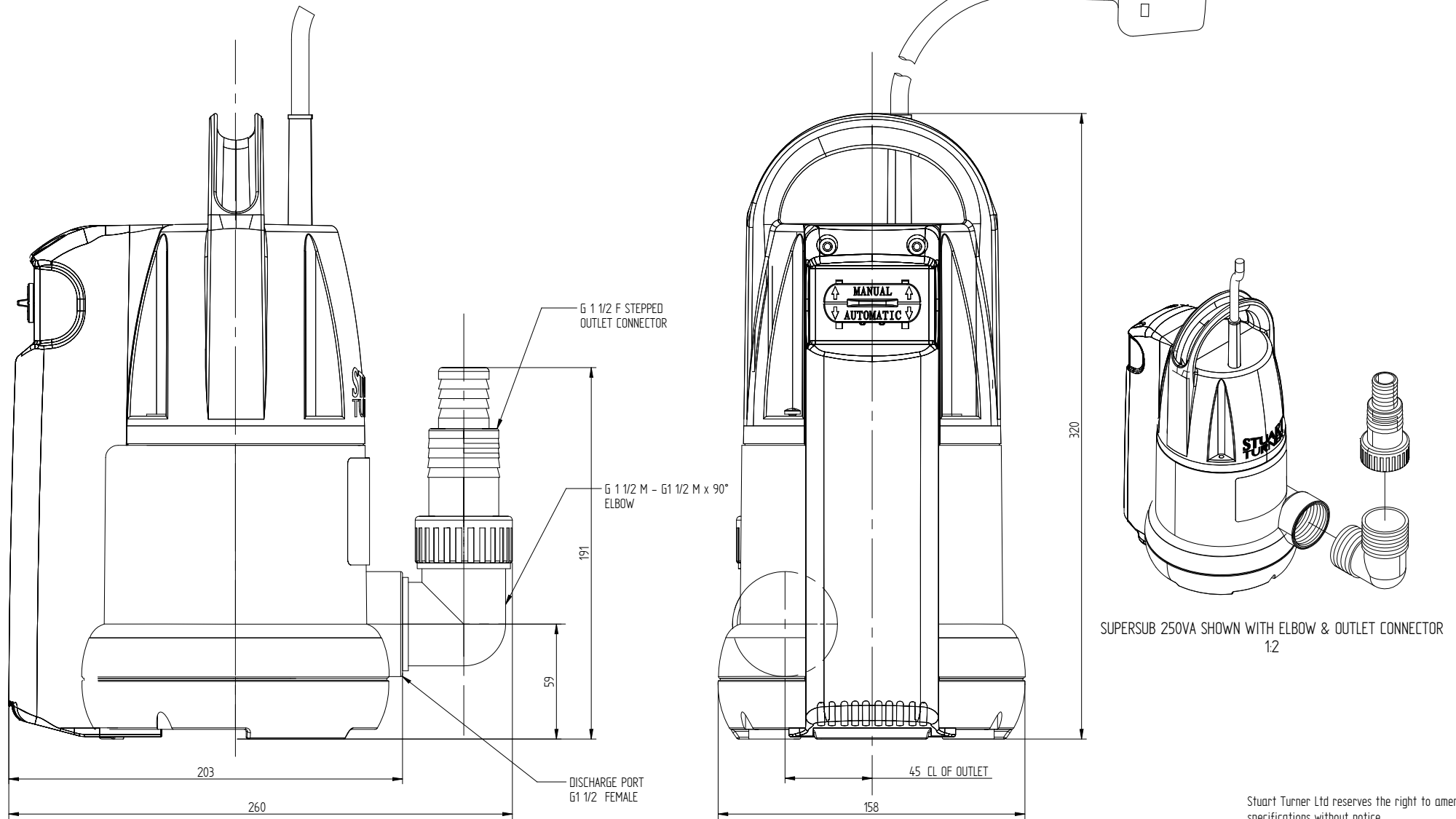
STUART TURNER LTD HENLEY-ON-THAMES.

THIRD ANGLE PROJECTION

DIMENSIONS IN MILLIMETRES

If drawing is to be used for constructional purposes please contact Stuart Turner Ltd and request a certified document.

10 METRES OF CABLE C/W
THREE PIN PLUG TO BS 1363-1



SUPERSUB 250VA SHOWN WITH ELBOW & OUTLET CONNECTOR
12

Stuart Turner Ltd reserves the right to amend specifications without notice.

Stuart Turner Ltd own the copyright within this document. The document may be printed for personal use only. The document must not be altered, reproduced or utilized in any way without written permission from Stuart Turner Ltd, Henley-on-Thames, Oxon, UK.

GENERAL ARRANGEMENT OF A SUPERSUB 250VA

W41389

DATE: 15/07/2010