

# Submersible Pumps

The Supersub and Supervort submersible pumps provide a solution to most general purpose applications. All models incorporate an adjustable float switch, providing automatic pump control.

### Application

**Supersub** - suitable for clean water, rain water, waste water or pond applications. Waste water is water that has been used in the home, for instance, dishwasher, shower and laundry water.

**Supervort** - suitable for dirty water applications and capable of handling semi-solids in suspension of up to 20 mm in diameter. They are also suitable for all applications specified in the Supersub range - ideal for ponds with large gravity fed filter systems where the pump can be incorporated in the filter, with suitable protection to allow water only to enter the pump.

Neither Supersub or Supervort pumps are suitable for foul sewage.

### Materials

|              |                             |
|--------------|-----------------------------|
| Body         | Polypropylene               |
| Impeller     | Polyamide                   |
| Motor casing | Aluminium & Stainless steel |
| Pump shaft   | 304 Stainless/ceramic       |
| Seal         | Two separate lip seals      |

### Operating Conditions

|                      |               |
|----------------------|---------------|
| Max. liquid temp.    | 35°C          |
| Min. liquid temp.    | 4°C           |
| Max. immersion depth | 7 m           |
| Cable                | H05RN-F3 10 m |

### Pump Connection Sizes

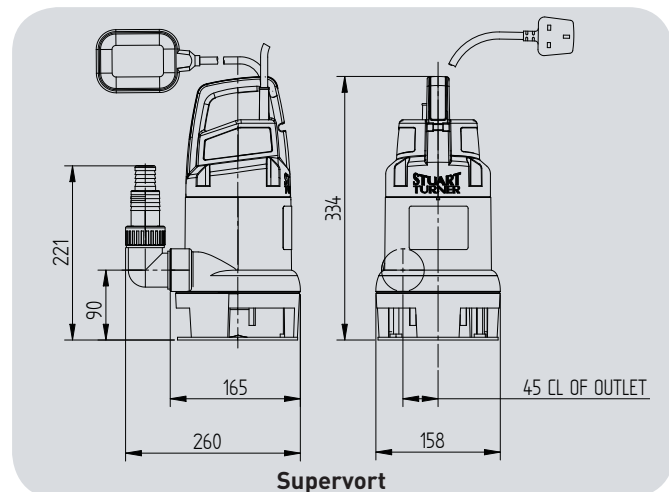
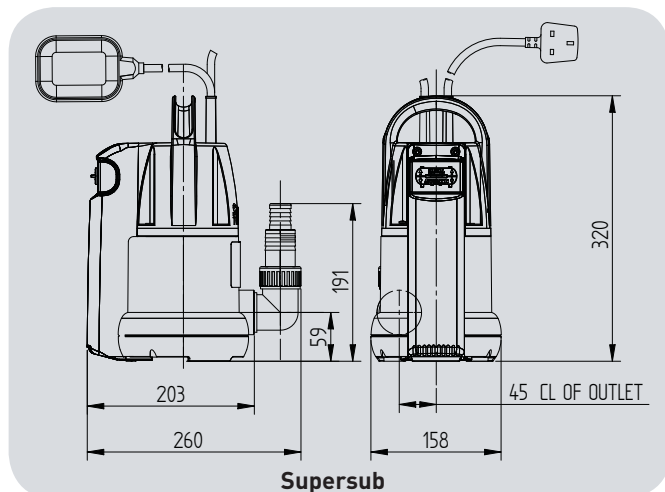
|            |             |
|------------|-------------|
| All models | G 1½ Female |
|------------|-------------|



# Submersible Pumps

| Model          | Motor*   | Nominal Watts | Watts full flow | Amps full load | Impeller | Seal       | Carton dims. mm |     |     | Gross weight (packed) kg | Part no. |
|----------------|----------|---------------|-----------------|----------------|----------|------------|-----------------|-----|-----|--------------------------|----------|
|                |          |               |                 |                |          |            | L               | x W | xH  |                          |          |
| Supersub 230A  | 230/1/50 | 400           | 466             | 2.1            | PA       | Double Lip | 220             | 160 | 360 | 5.7                      | 46540    |
| Supervort 140A | 230/1/50 | 225           | 320             | 1.4            | PA       | Double Lip | 220             | 160 | 360 | 4.6                      | 46541    |
| Supervort 240A | 230/1/50 | 425           | 513             | 2.3            | PA       | Double Lip | 220             | 160 | 360 | 5.8                      | 46542    |

\*Built to IPX8, all motors are designed for continuous running and feature thermal overload protection. A residual current device having a rated current not exceeding 30mA must be installed in the supply circuit.



All models are supplied complete with a G 1½ M x G 1½ M x 90° elbow and a G 1½ F stepped hose connector, suitable for 25, 32 or 38 mm bore hose.