

STUART TURNER LTD HENLEY-ON-THAMES.

THIRD ANGLE PROJECTION

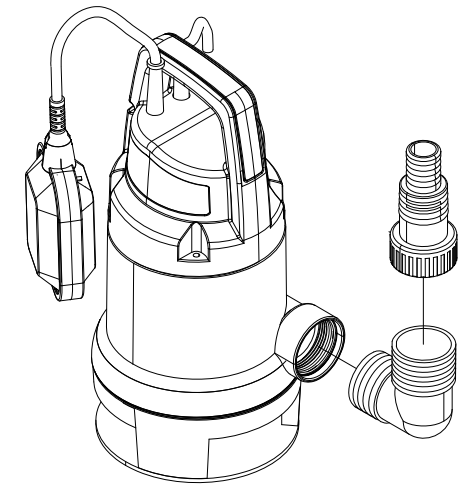
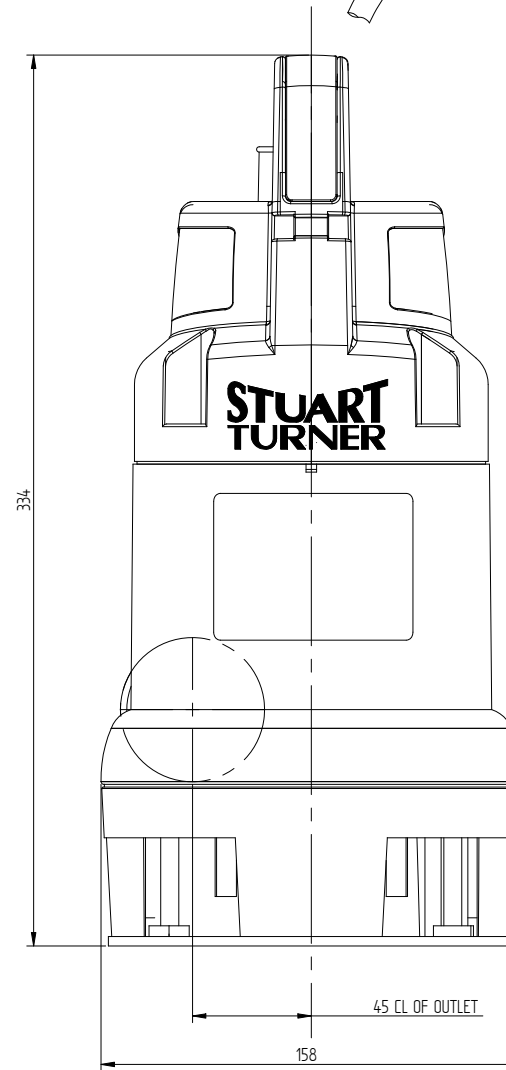
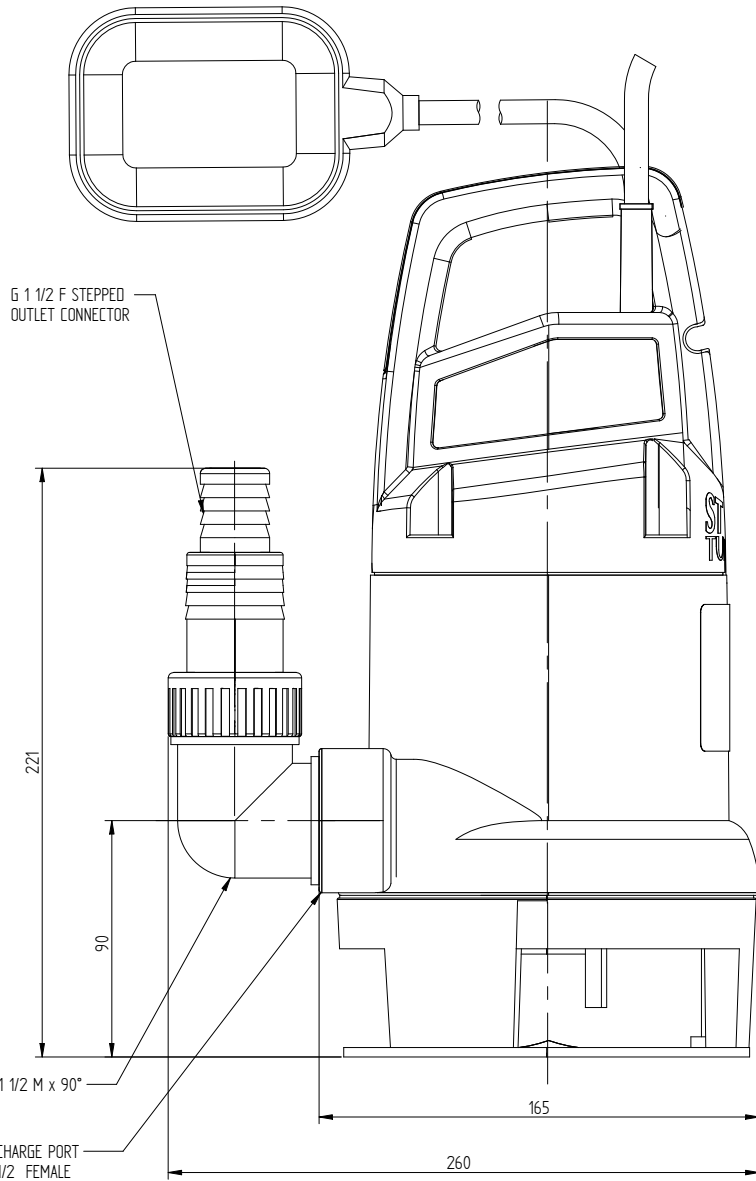
DIMENSIONS IN MILLIMETRES

If drawing is to be used for constructional purposes please contact Stuart Turner Ltd and request a certified document.

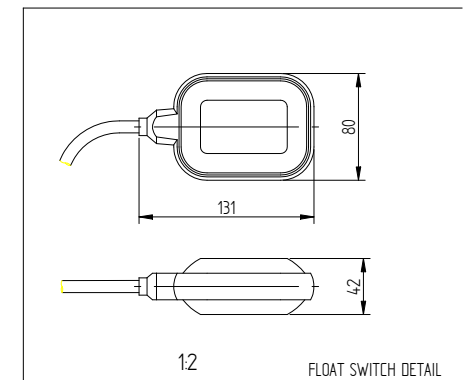
Stuart Turner Ltd reserves the right to amend specifications without notice.

NOTE
PUMP SUPPLIED WITH-
1 OFF G1 1/2 M - G1 1/2 M X 90° ELBOW
1 OFF G1 1/2 F STEPPED OUTLET CONNECTOR

10 METRES OF CABLE C/W
THREE PIN PLUG TO BS 1363-1



SUPERVORT 140VA SHOWN WITH ELBOW & OUTLET CONNECTOR
12



12

FLOAT SWITCH DETAIL

Stuart Turner Ltd own the copyright within this document.
The document may be printed for personal use only. The document must not be altered, reproduced or utilized in any way without written permission from Stuart Turner Ltd, Henley-on-Thames, Oxon, UK.

GENERAL ARRANGEMENT OF A SUPERVORT 140A

W41391

DATE: 15/07/2010

STUART TURNER LTD HENLEY-ON-THAMES.

THIRD ANGLE PROJECTION

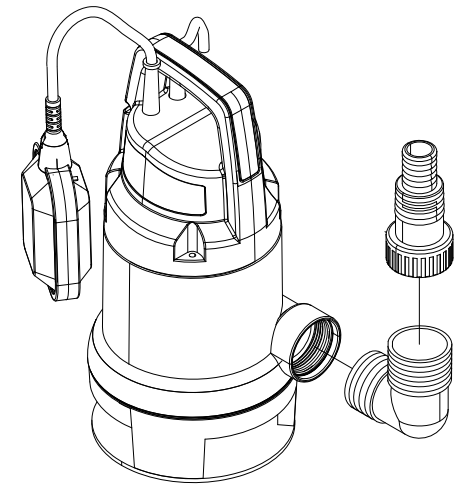
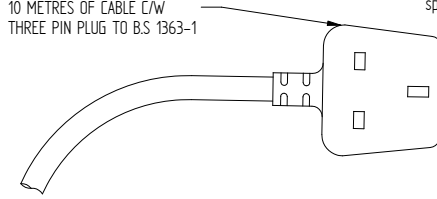
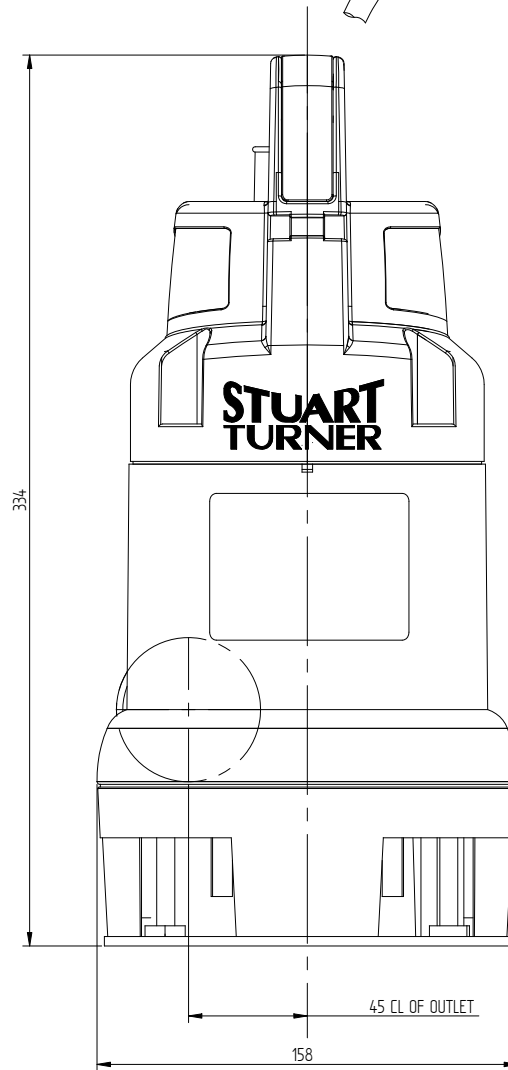
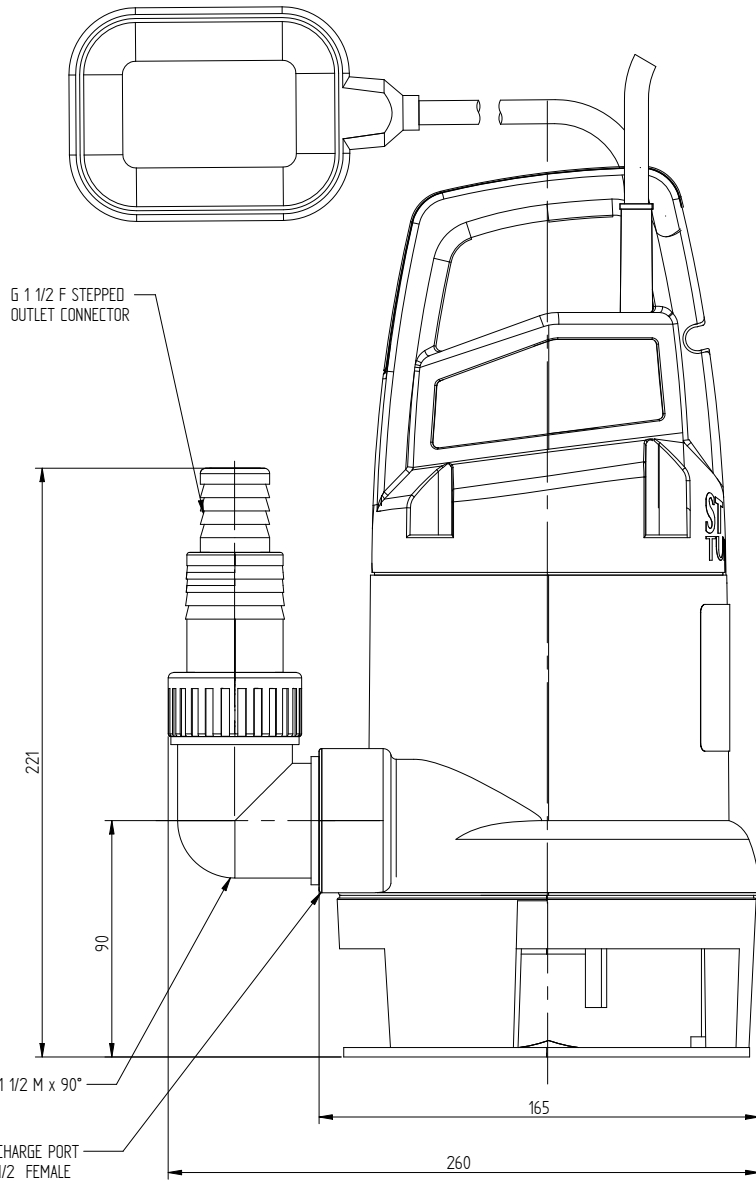
DIMENSIONS IN MILLIMETRES

If drawing is to be used for constructional purposes please contact Stuart Turner Ltd and request a certified document.

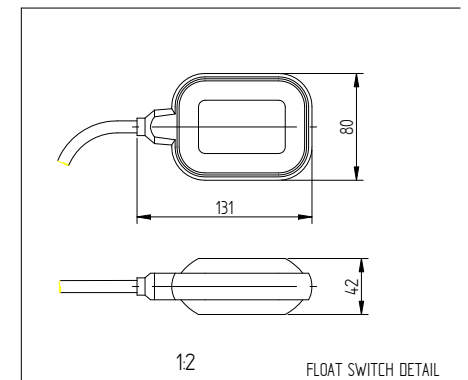
Stuart Turner Ltd reserves the right to amend specifications without notice.

NOTE
PUMP SUPPLIED WITH-
1 OFF G1 1/2 M - G1 1/2 M X 90° ELBOW
1 OFF G1 1/2 F STEPPED OUTLET CONNECTOR

10 METRES OF CABLE C/W
THREE PIN PLUG TO BS 1363-1



SUPERVORT 270VA SHOWN WITH ELBOW & OUTLET CONNECTOR
12



Stuart Turner Ltd own the copyright within this document.
The document may be printed for personal use only. The document must not be altered, reproduced or utilized in any way without written permission from Stuart Turner Ltd, Henley-on-Thames, Oxon, UK.

GENERAL ARRANGEMENT OF A SUPERVORT 240A

W41392

DATE: 15/07/2010