

techflo tp

Standard Single Pump

Standard single pumps are designed to improve water supplies to single taps or to pump blended water from a shower mixer. Suitable for positive head applications only.

Techflo tp pumps require a flow of 0.8 l/min to start.

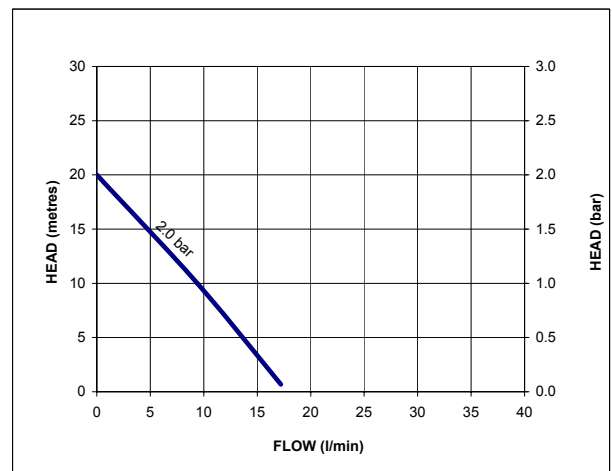


Features

- Durable plastic construction
- 2.0 bar performance
- Automatic switching
- Nitrile/carbon/silicon carbide seal
- 15 mm push-in flexible hoses
- G 3/4 threaded connections
- Pre-wired with 1.5 metre power cable
- Anti-vibration feet
- 1-year guarantee (subject to conditions)
- WRAS compliant

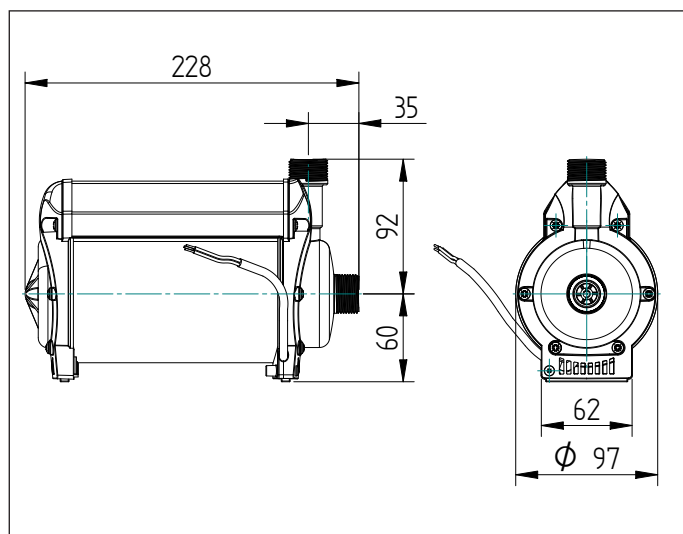
Application

- Boost the water pressure to either a hot or cold single tap
- Boost the blended water between the shower valve and the shower head



techflo tp

Pump Model		S2.0 bar Single 49086
General	Guarantee	1 year
	WRAS approval	Compliant
Features	Pump type	Centrifugal
	Mechanical seal	Nitrile / Carbon / Silicon Carbide
	Anti-vibration feet	✓
	Inlet strainer	✓
	Flexible hoses	2
	Dry run protection	✓
Performance	Maximum head (closed valve)	2.0 bar
	Performance @ 9 l/min	1.0 bar
	Performance @ 18 l/min	0.1 bar
	Maximum flow	17 l/min
	Maximum static inlet pressure	10 meters
	Maximum working pressure*	300 kPa (3 bar)
	Maximum ambient air temperature	40 °C
	Min / Max water temperature**	Min 4 °C / Max 65 °C
Connections	Flow switch sensitivity (approx)	0.8 l/min
	Pump connections	G ¾ male
Flexible hoses	Connections	G ¾ female x 15 mm push-in x 200 mm long
Motor	Type	Series wound, auto-reset thermal trip
	Duty rating	Intermittent (S3) 30 mins on/30 mins off @ 9 l/min
Electrical	Power supply / phase / frequency	230 V a.c. / 1 / 50 Hz
	Current (full load)	1.0 Amps
	Power consumption	180 Watts
	Fuse rating	3 Amps
	Power cable (pre-wired)	1.5 metres
Physical	Enclosure protection	IPX2
	Length	228 mm
	Width	97 mm
	Height (excluding hoses)	152 mm
	Weight (including fittings)	2.2 Kg



* The maximum pressure that can be applied to the pump under any installation conditions.

** A stored water temperature of 60 °C is considered sufficient to meet all normal requirements and will minimise deposition of scale in hard water areas.

Stuart Turner Limited reserves the right to amend specifications without notice.