

ECN No.	DATE	DETAILS	REVISION
2004	30/09/2008	FIRST ISSUE	1
2339	03/11/2009	PARTS REMOVED FOR SCREW FIT HOSE CHANGE	2
3356	23/08/2013	DIMENSIONS UPDATED FOR WEB SITE	3
*	*	*	*

STUART TURNER LTD HENLEY-ON-THAMES.

REVISION	DRG No.
3	41281

THIRD ANGLE PROJECTION

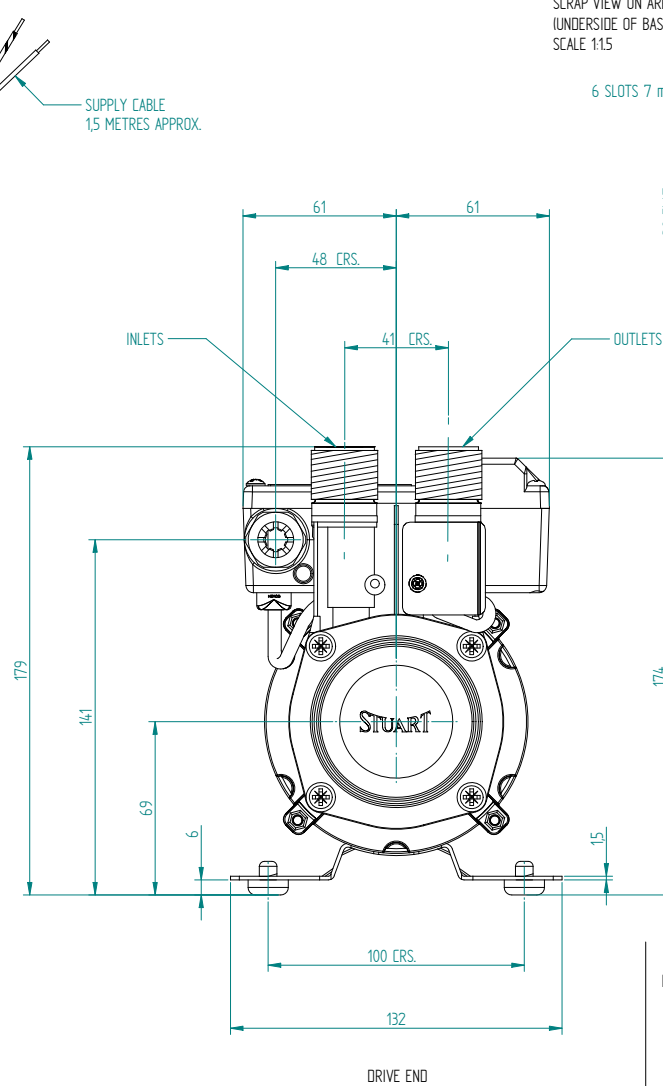
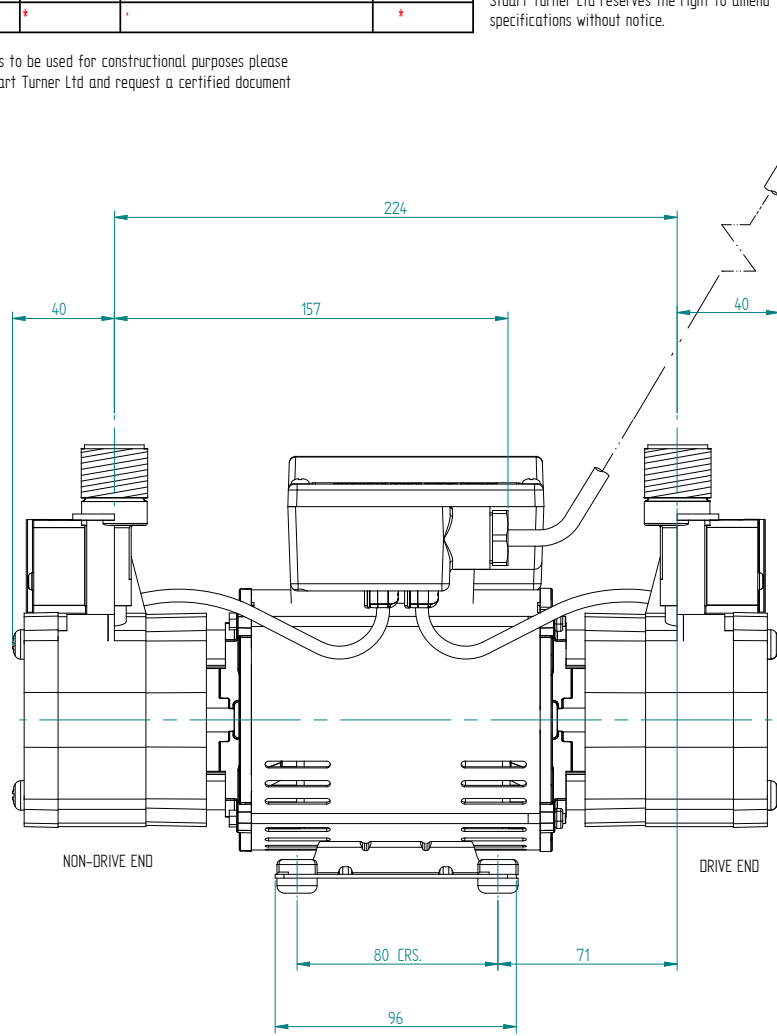
DIMENSIONS IN MILLIMETRES

MACHINING SYMBOLS TO BS 8888

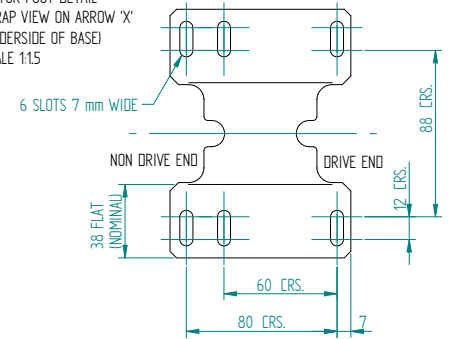
REMOVE ALL BURRS AND SHARP EDGES

Stuart Turner Ltd reserves the right to amend specifications without notice.

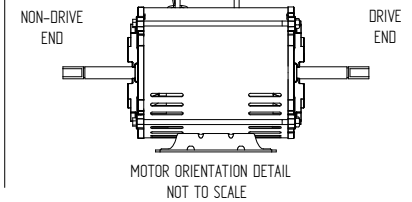
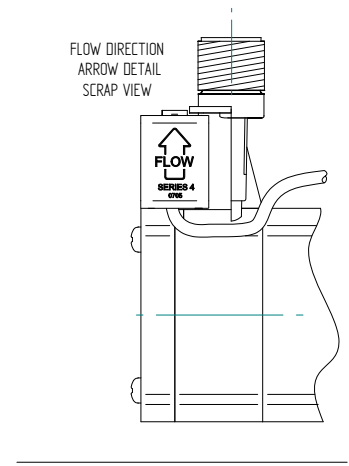
If drawing is to be used for constructional purposes please contact Stuart Turner Ltd and request a certified document



MOTOR FOOT DETAIL
SCRAP VIEW ON ARROW 'X'
(UNDERSIDE OF BASE)
SCALE 1:1.5



FLOW DIRECTION
ARROW DETAIL
SCRAP VIEW



Stuart Turner Ltd own the copyright within this document.
The document may be printed for personal use only. The document must not be altered, reproduced or utilized in any way without written permission from Stuart Turner Ltd, Henley-on-Thames, Oxon, Uk.



SHOWERMATE TWIN (S1,8 bar MODEL)

DRAWN	PL
CHECKED	
DATE	30-09-2008

SUPERSEDES	*
GENERAL LIMIT	± 2mm
FILE	SOLIDEDGE FILES/DRAFT/PUMPS/GA/41281-3
MATL.	.
ALL COMPONENTS SUPPLIED IN RELATION TO THIS DRAWING MUST BE IN FULL COMPLIANCE WITH THE RoHS DIRECTIVE (2002/95/EC)	

SCALE	1:1	A1
DRG.No.	41281	