

Performance according to ISO 9906 - Annex A

Liquid temperature:

Power datas referred to:

-10°C (14°F) to +110 °C (230°F) for heating pumps

Water [100%]; 277K; 1000kg/m³; 1.57mm²/s

-10°C (14°F) to +85 °C (185°F) for domestic hot water pumps



Pump data

Make	Lowara
Port to port (mm)	250
Electrical connection	Terminals
Specific EEI	<= 0,23
Nominal pressure	PN 6/10
Connection	Flanged / DN 40

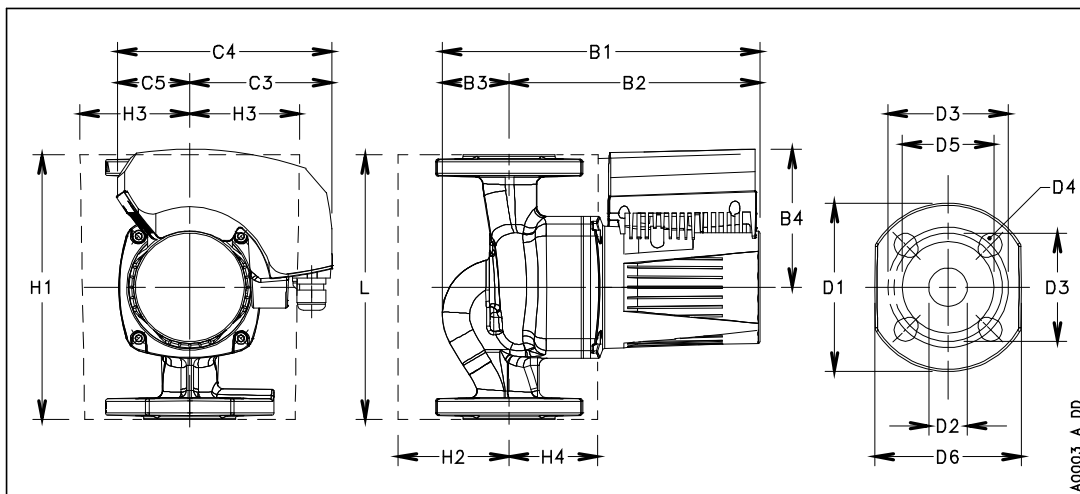
Electrical data

Rated voltage	230 V
Frequency	50
Protection class	IP 44
Insulation class	F
Digital input	Contact load: 5V, 10 mA
Digital output	Vmax < 250 VAC / Imax < 2 A
Analog input	0-10 V / 4-20 mA
Leakage current	< 3.5 mA
Communication capabilities	No communication protocol
Sound pressure level	<= 43 dB(A)

Materials

Bush Bearing	Carbon, resin impregnated	impeller	PPS
Thrust bearing	Aluminum oxide	Wear ring	Stainless steel
Bearing plate	Stainless steel	Rotor can	Stainless steel
Motor housing	Aluminum	Shaft	Stainless steel
O-rings	EPDM	Control box	Poly carbonate
PUMP HOUSING	Cast iron		

Dimensions mm



B1	338
B2	256
B3	82
B4	132
B5	53
C3	128
C4	206
C5	78
D1	150
D2	40
D3	100/110
D4	4 x 14/19
D5	84
Gross weight	17.75
H1	250
H2	87
H3	90
H4	88
L	250
Net weight	13.9