

Performance according to ISO 9906 - Annex A

Power data referred to:

Water [100%]; 277K; 1000kg/m<sup>3</sup>; 1.57mm<sup>2</sup>/s

Liquid temperature:

-10°C (14°F) to +110 °C (230°F) for heating pumps

-10°C (14°F) to +85 °C (185°F) for domestic hot water pumps



**Pump data**

Make	Lowara
Port to port (mm)	360
Electrical connection	Terminals
Specific EEI	<= 0,23
Nominal pressure	PN 6
Connection	Flanged / DN 100

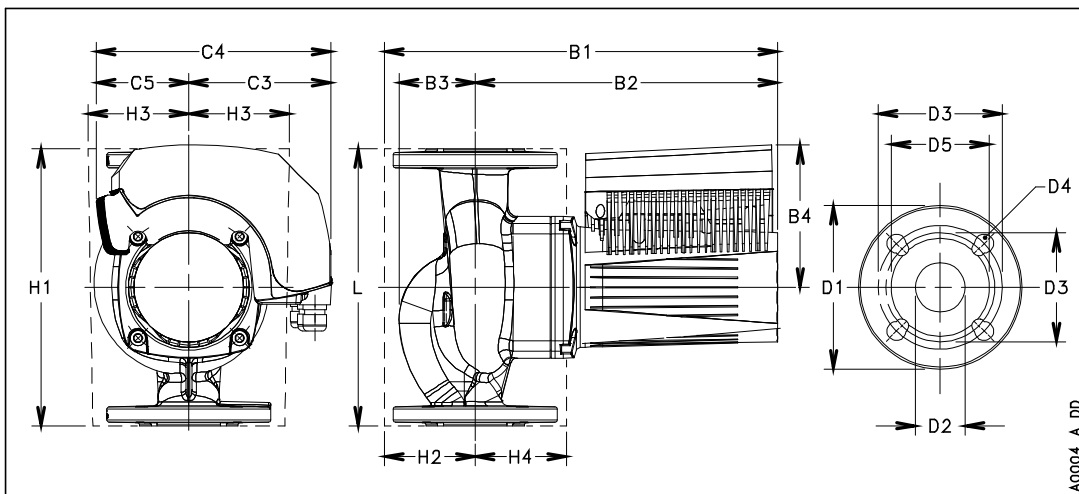
**Electrical data**

Rated voltage	230 V
Frequency	50
Protection class	IP 44
Insulation class	F
Digital input	Contact load: 5V, 10 mA
Digital output	Vmax < 250 VAC / Imax < 2 A
Analog input	0-10 V / 4-20 mA
Leakage current	< 3.5 mA
Communication capabilities	No communication protocol
Sound pressure level	<= 43 dB(A)

**Materials**

Bush Bearing	Carbon, resin impregnated	impeller	PPS
Thrust bearing	Aluminum oxide	Wear ring	Stainless steel
Bearing plate	Stainless steel	Rotor can	Stainless steel
Motor housing	Aluminum	Shaft	Stainless steel
O-rings	EPDM	Control box	Poly carbonate
PUMP HOUSING	Cast iron		

**Dimensions mm**



B1	403
B2	306
B3	97
B4	147
B5	60
C3	148
C4	241
C5	93
D1	220
D2	100
D3	180
D4	8 x 19
D5	156
Gross weight	31.6
H1	360
H2	120
H3	120
H4	120
L	360
Net weight	26.2