

Performance according to ISO 9906 - Annex A

Power datas referred to:

Water [100%]; 277K; 1000kg/m<sup>3</sup>; 1.57mm<sup>2</sup>/s

Liquid temperature:

-10°C (14°F) to +110 °C (230°F) for heating pumps

-10°C (14°F) to +85 °C (185°F) for domestic hot water pumps



**Pump data**

Make	Lowara
Port to port (mm)	220
Electrical connection	Terminals
Specific EEI	<= 0,27
Nominal pressure	PN 6/10
Connection	Flanged / DN 32

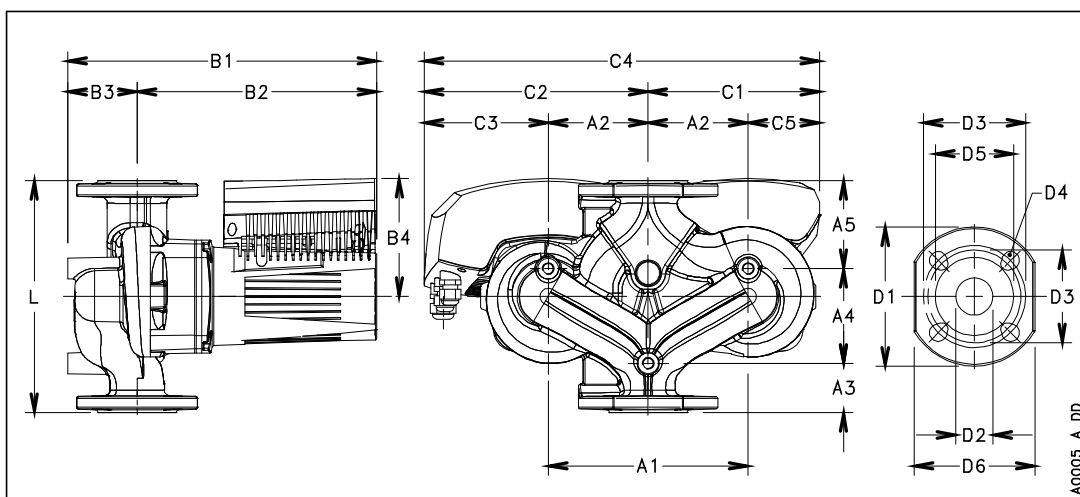
**Electrical data**

Rated voltage	230 V
Frequency	50
Protection class	IP 44
Insulation class	F
Digital input	Contact load: 5V, 10 mA
Digital output	Vmax < 250 VAC / Imax < 2 A
Analog input	0-10 V / 4-20 mA
Leakage current	< 3.5 mA
Communication capabilities	No communication protocol
Sound pressure level	<= 43 dB(A)

**Materials**

Bush Bearing	Carbon, resin impregnated	impeller	PPS
Thrust bearing	Aluminum oxide	Wear ring	Stainless steel
Bearing plate	Stainless steel	Rotor can	Stainless steel
Motor housing	Aluminum	Shaft	Stainless steel
O-rings	EPDM	Control box	Poly carbonate
<b>PUMP HOUSING</b>	<b>Cast iron</b>		

**Dimensions mm**



A1	215
A2	107.5
A3	43
A4	97
A5	80
B1	322
B2	252
B3	70
B4	132
B5	53
C1	185.5
C2	235.5
C3	128
C4	421
C5	78
D1	140
D2	32
D3	90/100
D4	4 x 14/19
D5	76
Gross weight	34.9
L	220