

Performance according to ISO 9906 - Annex A

Liquid temperature:

Power data referred to:

-10°C (14°F) to +110 °C (230°F) for heating pumps

Water [100% ]; 277K; 1000kg/m³; 1.57mm²/s

-10°C (14°F) to +85 °C (185°F) for domestic hot water pumps



**Pump data**

|                       |                 |
|-----------------------|-----------------|
| Make                  | Lowara          |
| Port to port (mm)     | 250             |
| Electrical connection | Terminals       |
| Specific EEI          | <= 0,23         |
| Nominal pressure      | PN 6/10         |
| Connection            | Flanged / DN 40 |

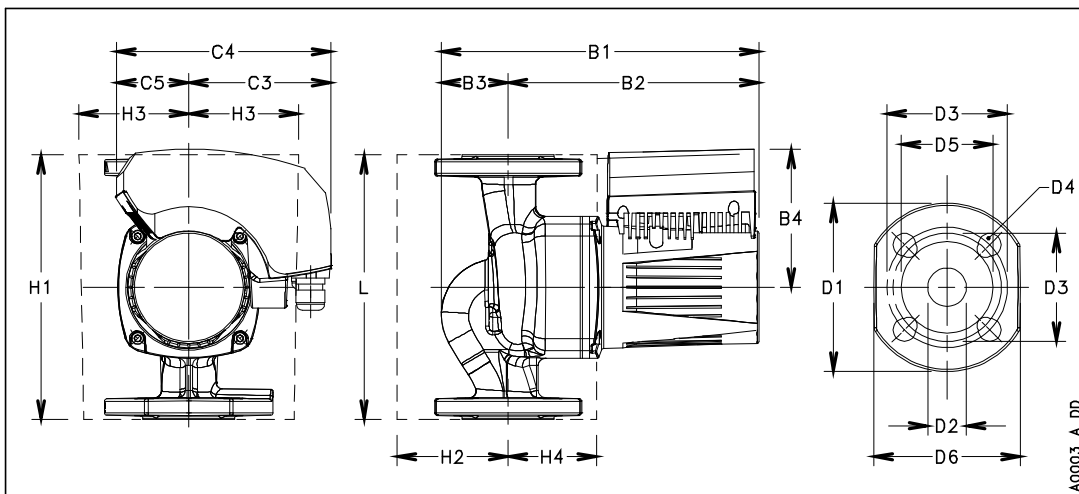
**Electrical data**

|                            |                             |
|----------------------------|-----------------------------|
| Rated voltage              | 230 V                       |
| Frequency                  | 50 / 60                     |
| Protection class           | IP 44                       |
| Insulation class           | F                           |
| Digital input              | Contact load: 5V, 10 mA     |
| Digital output             | Vmax < 250 VAC / Imax < 2 A |
| Analog input               | 0-10 V / 4-20 mA            |
| Leakage current            | < 3.5 mA                    |
| Communication capabilities | Modbus RTU & BACnet MS/TP   |
| Sound pressure level       | <= 43 dB(A)                 |

**Materials**

|                |                           |             |                 |
|----------------|---------------------------|-------------|-----------------|
| Bush Bearing   | Carbon, resin impregnated | impeller    | PPS             |
| Thrust bearing | Aluminum oxide            | Wear ring   | Stainless steel |
| Bearing plate  | Stainless steel           | Rotor can   | Stainless steel |
| Motor housing  | Aluminum                  | Shaft       | Stainless steel |
| O-rings        | EPDM                      | Control box | Poly carbonate  |
| Pump housing   | Bronze                    |             |                 |

**Dimensions mm**



|              |           |
|--------------|-----------|
| B1           | 338       |
| B2           | 256       |
| B3           | 82        |
| B4           | 132       |
| B5           | 53        |
| C3           | 128       |
| C4           | 206       |
| C5           | 78        |
| D1           | 150       |
| D2           | 40        |
| D3           | 100/110   |
| D4           | 4 x 14/19 |
| D5           | 84        |
| Gross weight | 19.65     |
| H1           | 250       |
| H2           | 87        |
| H3           | 90        |
| H4           | 88        |
| L            | 250       |
| Net weight   | 15.8      |