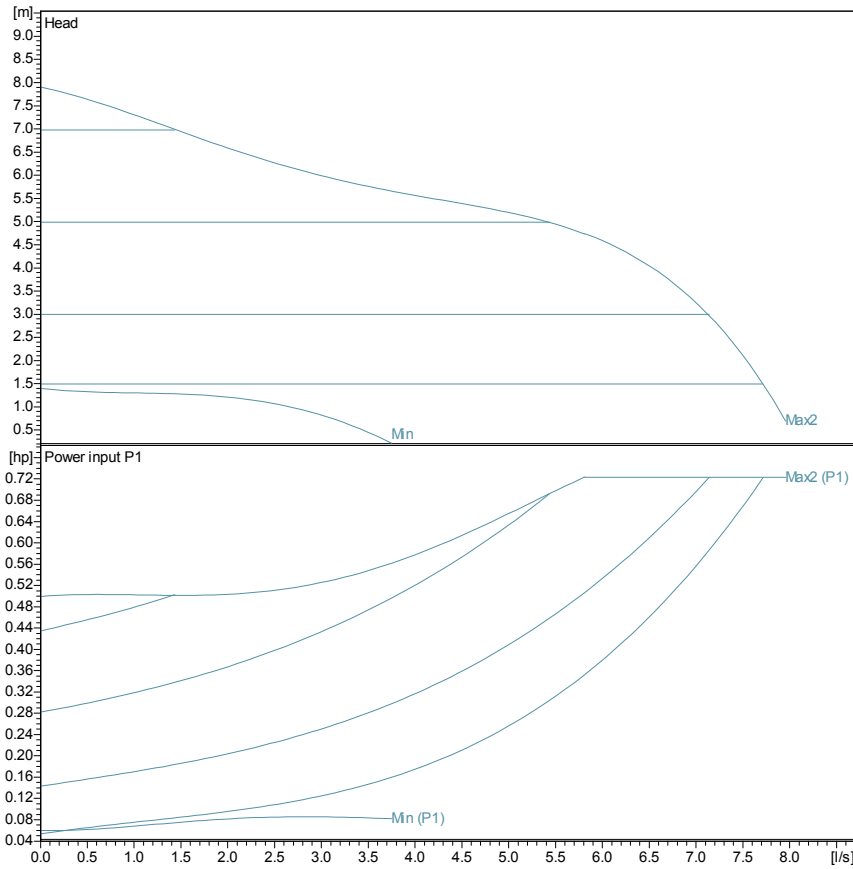


# ecocirc XL 50-80 F

E503110AA



Performance according to ISO 9906 - Annex A  
 Liquid temperature:  
 -10°C (14°F) to +110 °C (230°F) for heating pumps  
 -10°C (14°F) to +85 °C (185°F) for domestic hot water pumps  
 Power data referred to:  
 Water, pure [100% ]; 39.2°F; 62.4lb/ft<sup>3</sup>; 1.69E-5ft<sup>3</sup>/s



### Pump data

Make	Lowara
Port to port (mm)	240
Electrical connection	Terminals
Specific EEI	<= 0,23
Nominal pressure	PN 6/10
Connection	Flanged / DN 50

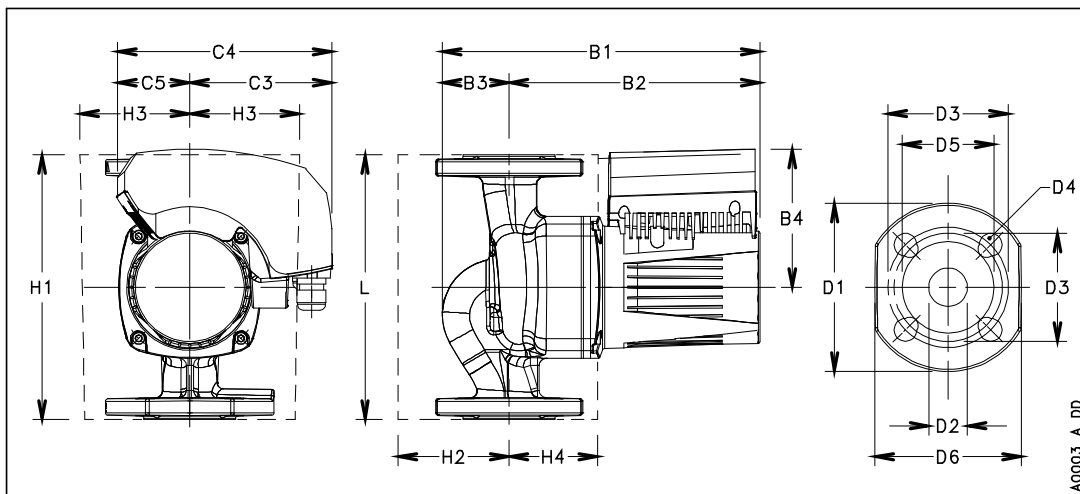
### Electrical data

Rated voltage	230 V
Frequency	50 / 60
Protection class	IP 44
Insulation class	F
Digital input	Contact load: 5V, 10 mA
Digital output	Vmax < 250 VAC / Imax < 2 A
Analog input	0-10 V / 4-20 mA
Leakage current	< 3.5 mA
Communication capabilities	No communication protocol
Sound pressure level	<= 43 dB(A)

### Materials

Bush Bearing	Carbon, resin impregnated	impeller	PPS
Thrust bearing	Aluminum oxide	Wear ring	Stainless steel
Bearing plate	Stainless steel	Rotor can	Stainless steel
Motor housing	Aluminum	Shaft	Stainless steel
O-rings	EPDM	Control box	Poly carbonate
Pump housing	Cast iron		

### Dimensions mm



B1	355
B2	261
B3	94
B4	132
B5	53
C3	128
C4	206
C5	78
D1	165
D2	50
D3	110/125
D4	4 x 14/19
D5	100
Gross weight	19.75
H1	240
H2	93
H3	93
H4	93
L	240
Net weight	15.9