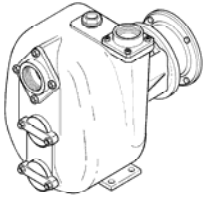
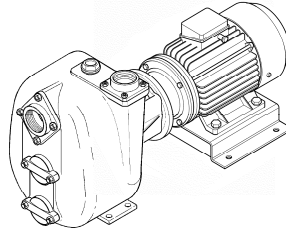


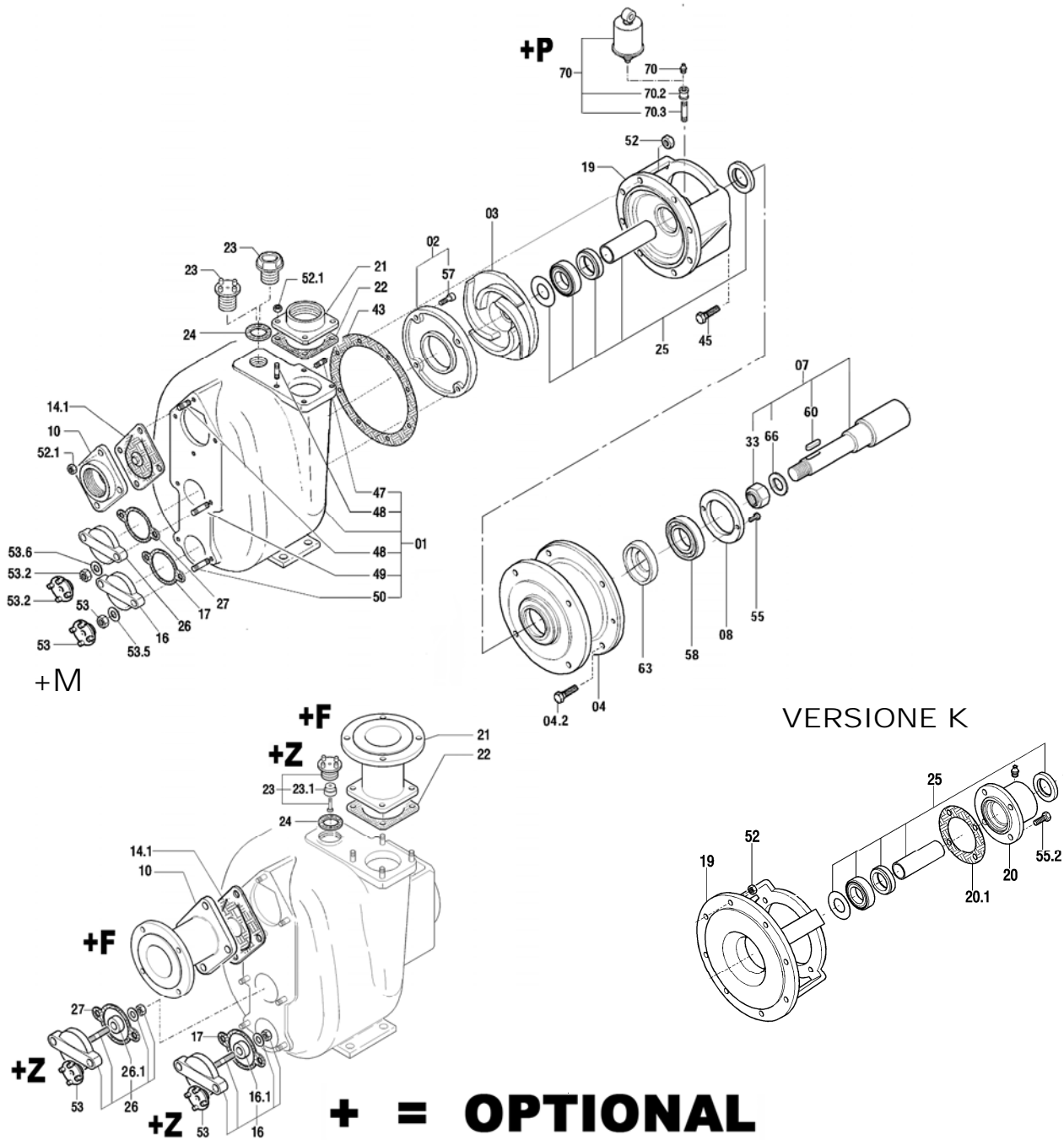
**DISTINTA DELLE PARTI COSTITUENTI LE POMPE CENTRIFUGHE AUTOADESCANTI SERIE " J "**  
**SPARE PARTS LIST FOR " J " SERIES SELF-PRIMING PUMPS**  
**LISTE DES PIECES DE RECHANGE POUR POMPES CENTRIFUGES AUTO-AMORCANTES SERIE " J "**  
**ERSATZTEILLISTE FÜR SELBSTANSAUGENDE KREISELPUMPEN SERIE " J "**

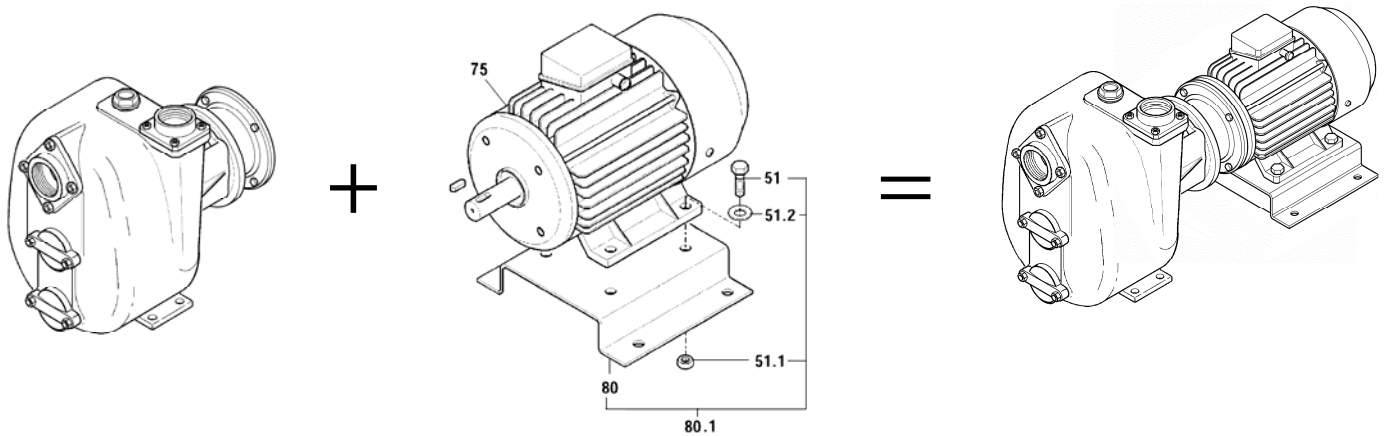


- JP 1-180 G10 ETO Code 1004 0878
- JP 1-180 B10 ETO Code 1004 4032
- JP 1-180 K10 ETO Code 1004 4046
- JP 1-180 P10 ETO Code 1004 4037
- JP 1-180 Q10 ETO Code 1004 4038
- JP 1-180 F10 ETO Code 1004 4033
- JP 1-180 L10 ETO Code 1004 4034



- JE 1-180 G10 ET20 Code 1004 2924
- JE 1-180 B10 ET20 Code 1004 4040
- JE 1-180 K10 ET20 Code 1004 4047
- JE 1-180 P10 ET20 Code 1004 4043
- JE 1-180 Q10 ET20 Code 1004 4044
- JE 1-180 F10 ET20 Code 1004 4041
- JE 1-180 L10 ET20 Code 1004 4042





JP + MOTORE / MOTOR = JE

| Rif. N° Pos. Nr. | Quant. | Denominazione        | Part name        | Den. Comm. Type  | Mat.* | Codice Nuovo New Part No. | JP 1-180 G10 | JP 1-180 B10 | JP 1-180 K10 | JP 1-180 P10 | JP 1-180 Q10 | JP 1-180 F10 | JP 1-180 T10 | JP 1-180 L10 |
|------------------|--------|----------------------|------------------|------------------|-------|---------------------------|--------------|--------------|--------------|--------------|--------------|--------------|--------------|--------------|
|                  |        |                      |                  |                  |       |                           |              |              |              |              |              |              |              |              |
| 01               | 1      | Corpo ( 1 )          | Casing ( 1 )     |                  | G     | 1001 6935                 | ○            |              |              | ○            |              |              |              |              |
|                  |        |                      |                  |                  | B     | 1001 6940                 |              | ○            |              |              |              |              |              |              |
|                  |        |                      |                  |                  | K     | 1001 6941                 |              |              | ○            |              |              |              |              |              |
|                  |        |                      |                  |                  | G     | 1002 7006                 |              |              |              | ○            | ○            |              |              |              |
|                  |        |                      |                  |                  | G+QPQ | 1004 6394                 |              |              |              |              |              |              | ○            |              |
|                  |        |                      |                  |                  | KL    | 1004 6393                 |              |              |              |              |              |              |              | ○            |
| 02               | 1      | Piatto d'usura ( 2 ) | Wear plate ( 2 ) |                  | GN    | 1000 8461                 | ○            |              |              |              |              |              |              |              |
|                  |        |                      |                  |                  | G     | 1001 6934                 |              |              | ○            |              |              |              |              |              |
|                  |        |                      |                  |                  | B     | 1000 8408                 |              | ○            |              | ○            |              |              |              |              |
|                  |        |                      |                  |                  | K     | 1000 8480                 |              |              | ○            |              | ○            |              |              |              |
|                  |        |                      |                  |                  | G+QPQ | 1003 6032                 |              |              |              |              |              |              | ○            |              |
|                  |        |                      |                  |                  | KL    | 1004 6395                 |              |              |              |              |              |              |              | ○            |
| 03               | 1      | Girante              | Impeller         |                  | GS    | 1000 5371                 | ○            |              |              | ○            |              |              |              |              |
|                  |        |                      |                  |                  | B     | 1000 5247                 |              | ○            |              | ○            |              |              |              |              |
|                  |        |                      |                  |                  | K     | 1000 5423                 |              |              | ○            |              | ○            |              |              |              |
|                  |        |                      |                  |                  | G+QPQ | 1002 3622                 |              |              |              |              |              |              | ○            |              |
|                  |        |                      |                  |                  | KL    | 1002 1989                 |              |              |              |              |              |              |              | ○            |
| 04               | 1      | Campana              | Coupling Flange  |                  | G     | 1004 0748                 | ○            | ○            | ○            | ○            | ○            | ○            | ○            |              |
| 04.2             | 4      | Vite                 | Screw            | M 8 x 25 DIN 933 | S     | 1000 1938                 | ○            |              |              | ○            |              | ○            |              |              |
|                  |        |                      |                  |                  | K     | 1000 2029                 |              | ○            | ○            |              | ○            | ○            |              |              |
| 07               | 1      | Albero ( 3 )         | Shaft ( 3 )      |                  | S     | 1004 0876                 | ○            |              |              | ○            |              | ○            |              |              |
|                  |        |                      |                  |                  | K     | 1004 3184                 |              | ○            | ○            |              | ○            | ○            |              |              |
|                  |        |                      |                  |                  | G+QPQ | 1002 3622                 |              |              |              |              |              |              | ○            |              |
| 08               | 1      | Copricuscinetto      | Bearing cover    |                  | G     | 1004 0750                 | ○            | ○            | ○            | ○            | ○            | ○            | ○            |              |
|                  |        |                      |                  |                  | OTS   | 1000 6384                 |              | ○            |              | ○            |              |              |              |              |
|                  |        |                      |                  |                  | K     | 1000 6443                 |              |              | ○            |              | ○            |              |              |              |
|                  |        |                      |                  |                  | KL    | 1002 5310                 |              |              |              |              |              |              |              | ○            |
| 10               | 1      | Portavalvola         | Suction flange   | R1"1/2           | G     | 1000 6413                 | ○            |              |              | ○            |              | ○            |              |              |
|                  |        |                      |                  |                  | OTS   | 1000 6384                 |              | ○            |              | ○            |              |              |              |              |
|                  |        |                      |                  |                  | K     | 1000 6443                 |              |              | ○            |              | ○            |              |              |              |
|                  |        |                      |                  |                  | KL    | 1002 5310                 |              |              |              |              |              |              |              | ○            |
|                  |        |                      |                  |                  |       |                           |              |              |              |              |              |              |              |              |
| 14.1             | 1      | Valvola completa     | Check valve ass. |                  | NH    | 1000 9010                 | ○            | ○            |              |              |              |              | ○            |              |
|                  |        |                      |                  |                  | VK    | 1000 9014                 |              |              | ○            | ○            | ○            | ○            |              | ○            |
|                  |        |                      |                  |                  | G+QPQ | 1002 3622                 |              |              |              |              |              |              |              | ○            |
| 16               | 1      | Portina              | Cover            |                  | S     | 1000 6473                 | ○            |              |              | ○            |              | ○            |              |              |
|                  |        |                      |                  |                  | OTS   | 1000 3748                 |              | ○            |              |              |              |              |              |              |
|                  |        |                      |                  |                  | KL    | 1000 6502                 |              |              | ○            |              |              |              | ○            |              |
|                  |        |                      |                  |                  | SZ    | 1000 8502                 |              |              |              |              | ○            |              |              |              |
|                  |        |                      |                  |                  | GZ    | 1000 8502                 |              |              |              |              |              |              |              | +Z           |
| 16.1             | 1      | Placca zinco         | Zinc anode       |                  | Z     | 1000 6574                 |              |              |              |              |              | +Z           |              |              |
| 17 (**)          | 1      | Guarnizione          | Gasket           |                  |       |                           |              |              |              |              |              |              |              |              |
| 19               | 1      | Portamotore          | Head             |                  | G     | 1000 6342                 | ○            |              |              | ○            | ○            | ○            |              |              |
|                  |        |                      |                  |                  | B     | 1000 6287                 |              |              |              |              |              |              |              |              |
|                  |        |                      |                  |                  | K     | 10014369                  |              |              | ○            |              |              |              | ○            |              |
|                  |        |                      |                  |                  | G+QPQ | 1002 3624                 |              |              |              |              |              |              |              | ○            |
| 20               | 1      | Portatenuta          | Seal box         |                  | K     | 1000 6252                 |              |              | ○            |              |              | ○            |              |              |
| 20.1             | 1      | Guarnizione          | Gasket           |                  | E3    | 1000 5637                 |              |              | ○            |              |              | ○            |              |              |

| Rif. N° Pos. Nr. | Quant. | Denominazione       | Part name        | Den. Comm. Type     | Mat.*   | Codice Nuovo New Part No. | JP 1-180 G10 | JP 1-180 B10 | JP 1-180 K10 | JP 1-180 P10 | JP 1-180 Q10 | JP 1-180 F10 | JP 1-180 T10 | JP 1-180 L10 |
|------------------|--------|---------------------|------------------|---------------------|---------|---------------------------|--------------|--------------|--------------|--------------|--------------|--------------|--------------|--------------|
| 21               | 1      | Flangia mandata     | Discharge flange | R1"1/2              | G       | 1000 5082                 | ○            |              |              | ○            |              |              | ○            |              |
|                  |        |                     |                  |                     | OTS     | 1000 5065                 |              | ○            |              |              | ○            |              |              |              |
|                  |        |                     |                  |                     | K       | 1000 5108                 |              |              | ○            |              | ○            |              |              |              |
|                  |        |                     |                  |                     | KL      | 1002 3504                 |              |              |              |              |              |              |              |              |
|                  |        |                     |                  |                     |         |                           | +F           | +F           | +F           | +F           | +F           | +F           | +F           |              |
| 22 (**)          | 1      | Guarnizione         | Gasket           |                     |         |                           |              |              |              |              |              |              |              |              |
| 23               | 1      | Tappo               | Plug             | R 1"                | S       | 1000 2386                 | ○            |              |              | ○            |              | ○            | ○            |              |
|                  |        |                     |                  |                     | OTS     | 1000 5773                 |              | ○            |              |              |              |              |              |              |
|                  |        |                     |                  |                     | DIN 908 | K                         | 1000 2416    |              |              | ○            |              |              |              | ○            |
|                  |        |                     |                  |                     | OTS+Z   | 1000 8372                 | +Z           |              |              | ○            |              |              | +Z           |              |
| 23.1             | 1      | Placca zinco        | Zinc anode       |                     | Z       | 1000 6574                 | +Z           |              |              |              |              | +Z           |              |              |
| 24 (**)          | 1      | Guarnizione         | Gasket           |                     |         |                           |              |              |              |              |              |              |              |              |
| 25               | 1      | Tenuta completa     | Mechanical seal  | T 30 YYN            |         | 1000 8898                 | ○            | ○            |              |              |              |              | ○            |              |
|                  |        |                     |                  | T 30 YVY            |         | 1000 8899                 |              |              | ○            | ○            | ○            | ○            |              | ○            |
| 26               | 1      | Portina( 5 )        | Cover( 5 )       |                     | S       | 1000 6473                 | ○            |              |              | ○            |              | ○            | ○            |              |
|                  |        |                     |                  |                     | OTS     | 1000 3748                 |              | ○            |              |              |              |              |              |              |
|                  |        |                     |                  |                     | KL      | 1000 6502                 |              |              | ○            |              |              |              |              | ○            |
|                  |        |                     |                  |                     | SZ      | 1000 8502                 |              |              |              |              | ○            |              |              |              |
|                  |        |                     |                  |                     | GZ      | 1000 8502                 | +Z           |              |              |              |              |              |              | +Z           |
| 26.1             | 1      | Placca zinco        | Zinc anode       |                     | Z       | 1000 6574                 | +Z           |              |              |              |              | +Z           |              |              |
| 27 (**)          | 1      | Guarnizione         | Gasket           |                     |         |                           |              |              |              |              |              |              |              |              |
| 33               | 1      | Dado blocca girante | Impeller nut     | M 18 x 1,5 UNI 7474 | H       | 1000 1464                 | ○            |              |              | ○            |              |              | ○            |              |
|                  |        |                     |                  | M 18 x 1,5 UNI 7474 | K       | 1000 1471                 |              | ○            | ○            |              | ○            | ○            |              | ○            |
| 43 (**)          | 2      | Guarnizione corpo   | Casing gasket    | 177 x 219 x 0,5     |         |                           |              |              |              |              |              |              |              |              |
| 45               | 4      | Vite                | Screw            | M 8 x 25 DIN 933    | S       | 1000 1938                 | ○            |              |              | ○            |              |              | ○            |              |
|                  |        |                     |                  |                     | K       | 1000 2029                 |              | ○            | ○            |              | ○            | ○            |              | ○            |
| 47 (*)           | 8      | Prigioniero         | Stud             | M 8 x 20 DIN 938    | S       |                           | ○            |              |              | ○            |              |              | ○            |              |
|                  |        |                     |                  | M 8 x 18 DIN 938    | K       |                           |              | ○            | ○            |              | ○            | ○            |              | ○            |
| 48 (*)           | 8      | Prigioniero         | Stud             | M 8 x 20 DIN 938    | S       |                           | ○            |              |              | ○            |              |              | ○            |              |
|                  |        |                     |                  | M 8 x 18 DIN 938    | K       |                           |              | ○            | ○            |              | ○            | ○            |              | ○            |
| 49 (*)           | 2      | Prigioniero         | Stud             | M 10 x 30 DIN 938   | S       |                           | ○            |              |              | ○            |              |              | ○            |              |
|                  |        |                     |                  |                     | K       |                           |              | ○            | ○            |              | ○            | ○            |              | ○            |
| 50 (*)           | 2      | Prigioniero         | Stud             | M 10 x 30 DIN 938   | S       |                           | ○            |              |              | ○            |              |              | ○            |              |
|                  |        |                     |                  |                     | K       |                           |              | ○            | ○            |              | ○            | ○            |              | ○            |
| 51               | 4      | Vite                | Screw            | M 10 x 35 DIN 933   | S       | 1000 1950                 | ○            | ○            | ○            | ○            | ○            | ○            | ○            | ○            |
| 51.1             | 4      | Dado                | Nut              | M 10 DIN 934        | S       | 1000 1421                 | ○            | ○            | ○            | ○            | ○            | ○            | ○            | ○            |
| 51.2             | 4      | Rondella            | Washer           | M 10 DIN 125 A      | S       | 1000 1691                 | ○            | ○            | ○            | ○            | ○            | ○            | ○            | ○            |
| 52 (*)           | 8      | Dado                | Nut              | M 8 DIN 934         | S       |                           | ○            |              |              | ○            |              |              | ○            |              |
|                  |        |                     |                  |                     | K       |                           |              | ○            | ○            |              | ○            | ○            |              | ○            |
| 52.1 (*)         | 8      | Dado                | Nut              | M 8 DIN 934         | S       |                           | ○            |              |              | ○            |              |              | ○            |              |
|                  |        |                     |                  |                     | K       |                           |              | ○            | ○            |              | ○            | ○            |              | ○            |
| 53 (*)           | 2      | Dado                | Nut              | M 10 DIN 934        | S       |                           | ○            |              |              | ○            |              |              | ○            |              |
|                  |        |                     |                  |                     | K       |                           |              | ○            | ○            |              | ○            | ○            |              | ○            |
|                  |        |                     |                  |                     | OTS     |                           |              | +M           | ○            |              |              |              | +M           |              |
| 53.2 (*)         | 2      | Dado                | Nut              | M 10 DIN 934        | S       |                           | ○            |              |              | ○            |              |              | ○            |              |
|                  |        |                     |                  |                     | K       |                           |              |              | ○            |              |              | ○            | ○            |              |
|                  |        |                     |                  |                     | OTS     |                           |              | +M           | ○            |              |              |              | +M           |              |
| 53.5 (*)         | 2      | Rondella            | Washer           | M 10                | S       |                           | ○            |              |              | ○            |              |              | ○            |              |
|                  |        |                     |                  |                     | K       |                           |              | ○            | ○            |              | ○            | ○            |              | ○            |
| 53.6 (*)         | 2      | Rondella            | Washer           | M 10                | S       |                           | ○            |              |              | ○            |              |              | ○            |              |
|                  |        |                     |                  |                     | K       |                           |              | ○            | ○            |              | ○            | ○            |              | ○            |
| 55               | 2      | Vite                | Screw            | M 6 x 16 DIN 933    | S       | 1000 1932                 | ○            | ○            | ○            | ○            | ○            | ○            | ○            | ○            |
| 55.2             | 4      | Vite                | Screw            | M 8 x 35 DIN 931    | K       |                           |              |              |              | ○            |              |              |              | ○            |
| 57 (*)           | 4      | Vite                | Screw            | M 8 x 20 DIN 912    | K       |                           | ○            | ○            | ○            | ○            | ○            | ○            | ○            | ○            |
| 58               | 1      | Cuscinetto          | Ball bearing     | 6206 -2RS C3        |         | 1004 0831                 | ○            | ○            | ○            | ○            | ○            | ○            | ○            | ○            |
| 60               | 1      | Linguetta           | Key              | 8x7x20 DIN 6885 A   | K       | 1000 1621                 | ○            | ○            | ○            | ○            | ○            | ○            | ○            | ○            |
| 63               | 1      | Ghiera              | Sleeve           |                     | S       | 1004 0751                 | ○            | ○            | ○            | ○            | ○            | ○            | ○            | ○            |
| 66               | 1      | Rondella            | Washer           | M 18 DIN 125 A      | H       | 1000 1712                 | ○            |              |              | ○            |              |              | ○            |              |
|                  |        |                     |                  |                     | K       | 10001711                  |              | ○            | ○            |              | ○            | ○            |              | ○            |

| Rif. N° Pos. Nr. | Quant. | Denominazione          | Part name                | Den. Comm. Type | Mat.* | Codice Nuovo New Part No. | JP 1-180 G10 | JP 1-180 B10 | JP 1-180 K10 | JP 1-180 P10 | JP 1-180 Q10 | JP 1-180 F10 | JP 1-180 T10 | JP 1-180 L10 |    |
|------------------|--------|------------------------|--------------------------|-----------------|-------|---------------------------|--------------|--------------|--------------|--------------|--------------|--------------|--------------|--------------|----|
| 70               | 1      | Ingrassatore           | Grease nipple            | 1/4"            |       | 1000 1662                 | ○            | ○            | ○            | ○            | ○            | ○            | ○            | ○            |    |
|                  | 1      | Cartuccia Perma        | Perma cartridge          |                 |       | 1000 1666                 | +P           | +P           | +P           | +P           | +P           | +P           | +P           | +P           | +P |
| 70.2             | 1      | Manicotto              | Union                    | 1/4"            | G     | 1000 2352                 | +P           | +P           | +P           | +P           | +P           | +P           | +P           | +P           |    |
| 70.3             | 1      | Prolunga               | Grease tube              | 1/4"            | S     | 1000 6955                 | +P           | +P           | +P           | +P           | +P           | +P           | +P           | +P           |    |
| 75               | 1      | Motore V, 230-400(3PH) | A.C.MotorV, 230-400(3PH) |                 |       | 1004 1934                 | ○            | ○            | ○            | ○            | ○            | ○            | ○            | ○            |    |
| 80               | 1      | Piede motore           | Motor base               |                 |       | 1000 7426                 | ○            | ○            | ○            | ○            | ○            | ○            | ○            | ○            |    |
| 80.1             | 1      | Kit piede motore       | Electric motor foot      |                 |       | 1004 3172                 | ○            | ○            | ○            | ○            | ○            | ○            | ○            | ○            |    |
| (*)              |        | Serie viterie          | Set of screws            |                 |       | 1001 4357                 | ○            |              |              | ○            |              |              | ○            |              |    |
|                  |        |                        |                          |                 |       | 1001 4383                 |              | ○            |              |              | ○            |              |              |              |    |
|                  |        |                        |                          |                 |       | 1001 4387                 |              |              | ○            |              |              | ○            |              |              |    |
| (**)             |        | Serie guarnizioni      | Set of gaskets           |                 |       | 1001 4358                 | ○            |              |              |              |              |              | ○            |              |    |
|                  |        |                        |                          |                 |       | 1001 4384                 |              | ○            |              |              |              |              |              |              |    |
|                  |        |                        |                          |                 |       | 1001 4388                 |              |              | ○            |              |              |              |              |              | ○  |
|                  |        |                        |                          |                 |       | 1004 4056                 |              |              |              | ○            |              |              | ○            |              |    |
|                  |        |                        |                          |                 |       | 1001 4381                 |              |              |              | ○            |              |              | ○            |              |    |
| +F***            |        | Kit flange             | Kit flange               | DN 40 PN16      | G     | 1004 2259                 | ○            |              |              | ○            |              | ○            | ○            |              |    |
|                  |        |                        |                          |                 | B     | 1004 2785                 |              | ○            |              |              | ○            |              |              |              |    |
|                  |        |                        |                          |                 | K     | 1004 2789                 |              |              | ○            |              |              |              |              | ○            |    |
|                  |        |                        |                          |                 | G     | 1004 2817                 | ○            |              |              | ○            |              | ○            | ○            |              |    |
|                  |        |                        |                          |                 | B     | 1004 2821                 |              | ○            |              |              | ○            |              |              |              |    |
|                  |        |                        |                          |                 | K     | 1004 2825                 |              |              | ○            |              |              |              |              | ○            |    |
| +D***            |        | Kit ingrassatore       | Compl. Grease kit        |                 |       | 1000 8316                 | ○            | ○            | ○            | ○            | ○            | ○            | ○            |              |    |
| +Z***            |        | Kit portine            | Set of couver            |                 | GZ    | 1001 4385                 | ○            |              |              |              |              | ○            |              |              |    |
| +M***            |        | Kit manigliette        | Set of wrench            |                 | OTS   | 1004 2798                 | ○            |              |              |              |              | ○            |              |              |    |
| ***              |        | Optional               |                          |                 |       |                           |              |              |              |              |              |              |              |              |    |

| Note:  | Notes:  |
|--|---|
| 1) Completo di prigionieri (47, 48, 49, 50).   | 1) Complete with studs (47, 48, 49, 50).  |
| 2) Completo di viti (57).  | 2) Complete with screws (57).   |
| 3) Completo di linguette (60, 61), dado (33) e rondella (66).  | 3) Complete with keys (60, 61), nut (33), and washer (66).  |
| 4) Completo di valvola, contappesi, vite e dado.   | 4) Complete with check valve, weights, screw and nut.   |
| * Materiali di costruzione   | * Construction materials  |
| E3 = Centellen VS3820  | E3 = Centellen VS3820   |
| G = Ghisa  | G = Cast iron   |
| G+QPQ = Ghisa + trattamento QPQ  | G+QPQ = Cast iron + Quench Polish Quench  |
| GS = Ghisa sferoidale  | GS = Ductile cast iron  |
| H = Acciaio inox AISI 304  | H = AISI 304 stainless steel  |
| K = Acciaio inox AISI 316  | K = AISI 316 stainless steel  |
| KL = Acciaio inox AISI 316L  | KL = AISI 316L stainless steel  |
| N = Gomma nitrile  | N = Nitrile rubber  |
| V = Viton  | V = Viton   |
| OTS = Ottone   | OTS = Brass   |
| S = Acciaio  | S = Steel   |
| Z = Zinco  | Z = Zinc  |
| Ordinare il materiale indicando sempre la quantità, la denominazione, il codice del pezzo, il tipo ed il numero della pompa. | When ordering spares always indicate type and serial number of pump, quantity, part name, and number. |