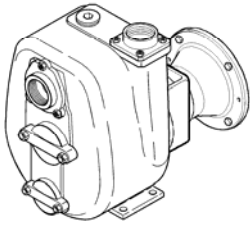
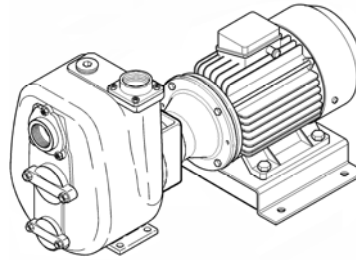


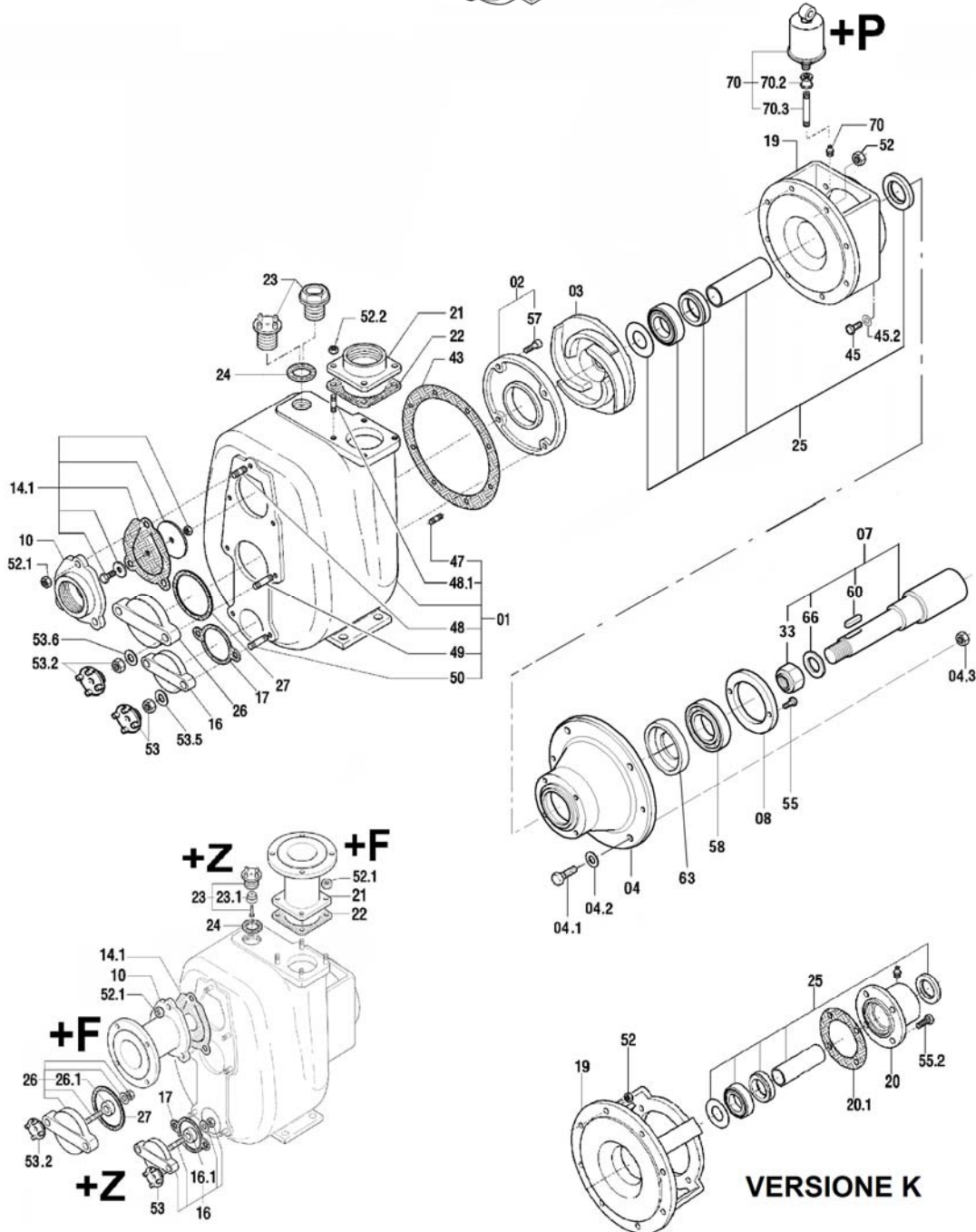
DISTINTA DELLE PARTI COSTITUENTI LE POMPE CENTRIFUGHE AUTOADESCANTI SERIE " J "
SPARE PARTS LIST FOR " J " SERIES SELF-PRIMING PUMPS
LISTE DES PIECES DE RECHANGE POUR POMPES CENTRIFUGES AUTO-AMORCANTES SERIE " J "
ERSATZTEILLISTE FÜR SELBSTANSAUGENDE KREISELPUMPEN SERIE " J "



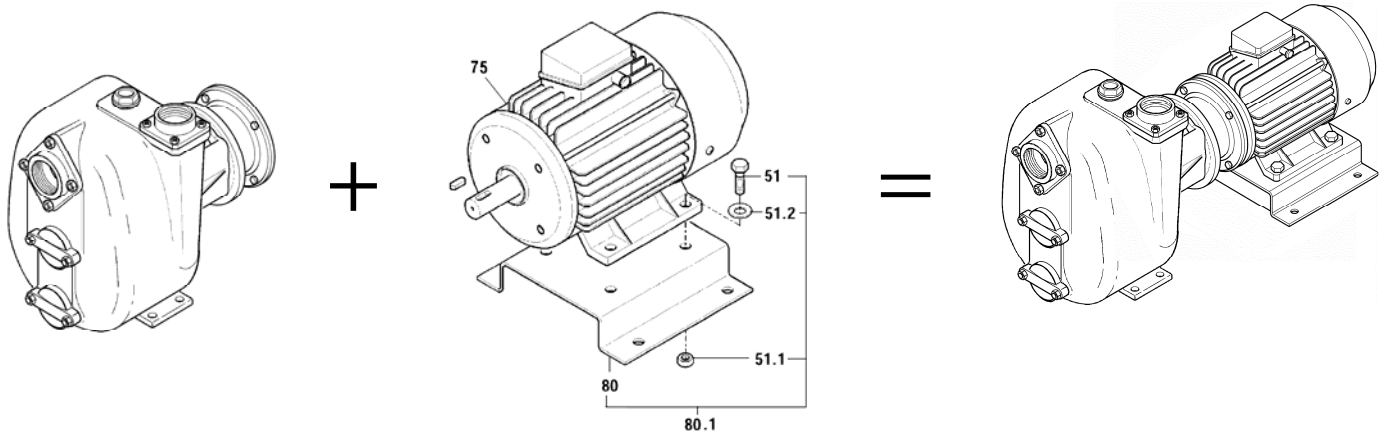
JP 2-180 G10 ETO	Code 1004 0910
JP 2-180 B10 ETO	Code 1004 6632
JP 2-180 K10 ETO	Code 1004 6254
JP 2-180 P10 ETO	Code 1004 5748
JP 2-180 Q10 ETO	Code 1004 6451
JP 2-180 F10 ETO	Code 1004 6126
JP 2-180 L10 ETO	Code 1004 6707



JE 2-180 G10 ET20	Code 1004 2927
JE 2-180 B10 ET20	Code 1004 7892
JE 2-180 K10 ET20	Code 1004 6255
JE 2-180 P10 ET20	Code 1004 5749
JE 2-180 Q10 ET20	Code 1004 6534
JE 2-180 F10 ET20	Code 1004 6127
JE 2-180 L10 ET20	Code 1004 6708



+ = OPTIONAL



JP + MOTORE / MOTOR = JE

Rif. N°. Pos. Nr.	Quant.	Denominazione	Part name	Den. Comm. Type	Mat.*	Codice Nuovo New Part No.	JP 2-180 G10	JP 2-180 B10	JP 2-180 K10	JP 2-180 P10	JP 2-180 Q10	JP 2-180 F10	JP 2-180 T10	
01	1	Corpo (1)	Casing (1)		G	1001 6936	○			○				
					B	1001 6939		○						
					K	1001 6938			○					
					G	1002 7732						○	○	
					G+QPQ	1002 8061								
02	1	Piatto d'usura (2)	Wear plate (2)		GN	1000 8461	○							
					G	1001 6934				○				
					B	1000 8408		○			○			
					K	1000 8480			○				○	
					G+QPQ	1003 6032								
03	1	Girante	Impeller		GS	1000 5369	○			○				
					B	1000 5245		○			○			
					K	1000 5418			○				○	
					G+QPQ	1002 8062								
04	1	Campana	Coupling Flange		G	1004 0905	○	○	○	○	○	○	○	
04.1	4	Vite	Screw	M 14 x 55 DIN 934	S	1000 1938	○	○	○	○	○	○	○	
04.2	4	Rondella	Washer	M 14 UNI1751/52A	S	1000 1672	○	○	○	○	○	○	○	
04.3	4	Dado	Nut	M 14 DIN 934	S	1000 1422	○	○	○	○	○	○	○	
07	1	Albero (3)	Shaft (3)		S	1004 0906	○			○			○	
					K	1004 3194		○	○		○	○		
08	1	Copricuscinetto	Bearing cover		G	1004 0907	○	○	○	○	○	○	○	
10	1	Portavalvola	Suction flange	R2"	G	1000 6417	○			○			○	
					OTS	1000 6396		○			○			
					K	1000 6445			○		○			
						+F	+F	+F	+F	+F	+F	+F		
14.1	1	Valvola completa	Check valve ass.		NH	1000 9015	○	○					○	
					VK	1000 9018			○	○	○	○		
16	1	Portina	Cover		S	1000 6473	○			○		○	○	
					OTS	1000 3748		○						
					KL	1000 6502			○					
					SZ	1000 8502	+Z			+Z	○		+Z	
16.1	1	Placca zinco	Zinc anode		Z	1000 6574	+Z			+Z	○	+Z		
17 (**)	1	Guarnizione	Gasket											
19	1	Portamotore	Head		G	1000 6342	○			○	○	○		
					B	1000 6287		○						
					K	1000 6371			○					
					G+QPQ	1002 3624								○
20	1	Portatenuta	Seal box		K	1000 6252			○					
20.1	1	Guarnizione	Gasket		E3	1000 5637			○					
21	1	Flangia mandata	Discharge flange	R2"	G	1000 5085	○			○			○	
					OTS	1000 5068		○			○			
					K	1000 5110			○			○		
							+F	+F	+F	+F	+F	+F	+F	

Rif. N° Pos. Nr.	Quant.	Denominazione	Part name	Den. Comm. Type	Mat.*	Codice Nuovo New Part No.	JP 2-180 G10	JP 2-180 B10	JP 2-180 K10	JP 2-180 P10	JP 2-180 O10	JP 2-180 F10	JP 2-180 T10
22 (**)	1	Guarnizione	Gasket										
23	1	Tappo	Plug	R 1"	S	1000 2386	○			○		○	○
					OTS	1000 5773		○					
					K	1000 2416			○				
					OTS+Z	1000 8372	+Z			+Z	○		+Z
23.1	1	Placca zinco	Zinc anode		Z	1000 6574	+Z			+Z	○	+Z	
24 (**)	1	Guarnizione	Gasket										
25	1	Tenuta completa	Mechanical seal	T 30 YYN		1000 8898	○	○					○
				T 30 YYV		1000 8899			○	○	○	○	
26	1	Portina	Cover		S	1000 6474	○			○		○	○
					OTS	1000 3749		○					
					K	1000 6503			○				
					SZ	1000 8503	+Z			+Z	○		+Z
26.1	1	Placca zinco	Zinc anode		Z	1000 6574	+Z			+Z	○	+Z	
27 (**)	1	Guarnizione	Gasket										
33	1	Dado blocca girante	Impeller nut	M 18 x 1,5 UNI 7474	H	1000 1464	○			○			○
				M 18 x 1,5 UNI 7474	K	1000 1471		○	○		○	○	
43 (**)	2	Guarnizione corpo	Casing gasket	177 x 219 x 0,5									
45	4	Vite	Screw	M 8 x 25 DIN 933	S	1000 1938	○			○			○
					K	1000 2029		○	○		○	○	
47 (*)	8	Prigioniero	Stud	M 8 x 18 DIN 938	S		○			○			○
					K			○	○		○	○	
48 (*)	3	Prigioniero	Stud	M 10 x 25 DIN 938	S		○			○			○
					K			○	○		○	○	
48.1 (*)	4	Prigioniero	Stud	M 10 x 25 DIN 938	S		○			○			○
					K			○	○		○	○	
49 (*)	2	Prigioniero	Stud	M 10 x 30 DIN 938	S		○			○			○
					K			○	○		○	○	
50 (*)	2	Prigioniero	Stud	M 10 x 30 DIN 938	S		○			○			○
					K			○	○		○	○	
51	4	Vite	Screw	M 10 x 40 DIN 931	S	1000 1951	○	○	○	○	○	○	○
51.1	4	Dado	Nut	M 10 DIN 934	S	1000 1421	○	○	○	○	○	○	○
51.2	4	Rondella	Washer	M 10 DIN 125 A	S	1000 1691	○	○	○	○	○	○	○
52 (*)	8	Dado	Nut	M 8 DIN 934	S		○			○			○
					K			○	○		○	○	
52.1 (*)	3	Dado	Nut	M 10 DIN 934	S		○			○			○
					K			○	○		○	○	
52.2 (*)	4	Dado	Nut	M 10 DIN 934	S		○			○			○
					K			○	○		○	○	
53 (*)	2	Dado	Nut	M 10 DIN 934	S		○			○			○
					K			○	○		○	○	
53.2 (*)	2	Dado	Nut	M 10 DIN 934	S		○			○			○
					K			○	○		○	○	
53.5 (*)	2	Rondella	Washer	M 10	S		○			○			○
					K			○	○		○	○	
53.6 (*)	2	Rondella	Washer	M 10	S		○			○			○
					K			○	○		○	○	
55	2	Vite	Screw	M 6 x 20 DIN 933	S	1000 1933	○	○	○	○	○	○	○
55.2	4	Vite	Screw	M 8 x 35 DIN 931	K				○				
57 (*)	4	Vite	Screw	M 8 x 20 DIN 912	K		○	○	○	○	○	○	○
58	1	Cuscinetto	Ball bearing	6306 -2RS C3		1004 0908	○	○	○	○	○	○	○
60	1	Linguetta	Key	8x7x20 DIN 6885 A	K	1000 1621	○	○	○	○	○	○	○
63	1	Ghiera	Sleeve		S	1004 0751	○	○	○	○	○	○	○
66	1	Rondella	Washer	M 18 DIN 125 A	H	1000 1712	○			○			○
					K	1000 1711		○	○		○	○	

Rif. N° Pos. Nr.	Quant.	Denominazione	Part name	Den. Comm. Type	Mat.*	Codice Nuovo New Part No.	JP 2-180 G10	JP 2-180 B10	JP 2-180 K10	JP 2-180 P10	JP 2-180 Q10	JP 2-180 F10	JP 2-180 T10
70	1	Ingrassatore	Grease nipple	1/4"		1000 1662	○	○	○	○	○	○	○
	1	Cartuccia Perma	Perma cartridge			1000 1666	+P	+P	+P	+P	+P	+P	+P
70.2	1	Manicotto	Union	1/4"	G	1000 2352	+P	+P	+P	+P	+P	+P	+P
70.3	1	Prolunga	Grease tube	1/4"	S	1000 6955	+P	+P	+P	+P	+P	+P	+P
75	1	Motore V.400-690(3PH)	A.C.MotorV.400-690(3PH)			1004 2928	○	○	○	○	○	○	○
80	1	Piede motore	Motor base			1004 3157	○	○	○	○	○	○	○
80.1	1	Kit piede motore	Electric motor foot			1004 3174	○	○	○	○	○	○	○
(*)		Serie viterie	Set of screws			1001 4357	○			○			○
						1001 4383		○			○		
						1001 4387			○			○	
(**)		Serie guarnizioni	Set of gaskets			1001 4401	○						○
						1001 4406		○					
						1001 4411			○				
						1004 4058					○		
						1001 4413					○		○
+F***		Kit flange	Kit flange	DN 50 PN16	G	1004 2783	○			○		○	○
				DN 50 PN16	B	1004 2786		○			○		
				DN 50 PN16	K	1004 2790			○				
				2" ASA150	G	1004 2809	○			○		○	○
				2" ASA150	B	1004 2805		○			○		
				2" ASA150	K	1004 2813			○				
+D***		Kit ingrassatore	Compl. Grease kit			1000 8316	○	○	○	○	○	○	
+Z***		Kit portine	Set of couver		GZ	1001 4416	○			○		○	
+M***		Kit manigliette	Set of wrench		OTS	1004 2798	○			○		○	
***		Optional											

Note:	Notes:
1) Completo di prigionieri (47, 48, 49, 50).	1) Complete with studs (47, 48, 49, 50).
2) Completo di viti (57).	2) Complete with screws (57).
3) Completo di linguette (60, 61), dado (33) e rondella (66).	3) Complete with keys (60, 61), nut (33), and washer (66).
* Materiali di costruzione	* Construction materials
E3 = Centellen VS3820	E3 = Centellen VS3820
G = Ghisa	G = Cast iron
G+QPQ = Ghisa +trattamento QPQ	G+QPQ = Cast iron+Quench Polish Quench
GS = Ghisa sferoidale	GS = Ductile cast iron
H = Acciaio inox AISI 304	H = AISI 304 stainless steel
K = Acciaio inox AISI 316	K = AISI 316 stainless steel
KL = Acciaio inox AISI 316L	KL = AISI 316L stainless steel
N = Gomma nitrile	N = Nitrile rubber
V = Viton	V = Viton
OTS = Ottone	OTS = Brass
S = Acciaio	S = Steel
Z = Zinco	Z = Zinc
Ordinare il materiale indicando sempre la quantità, la denominazione, il codice del pezzo, il tipo ed il numero della pompa.	When ordering spares always indicate type and serial number of pump, quantity, part name, and number.