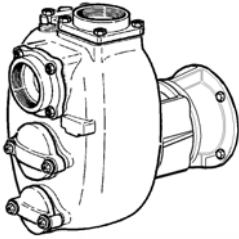
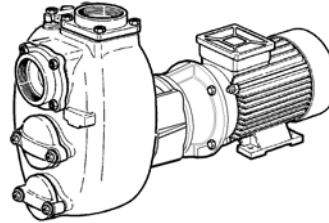


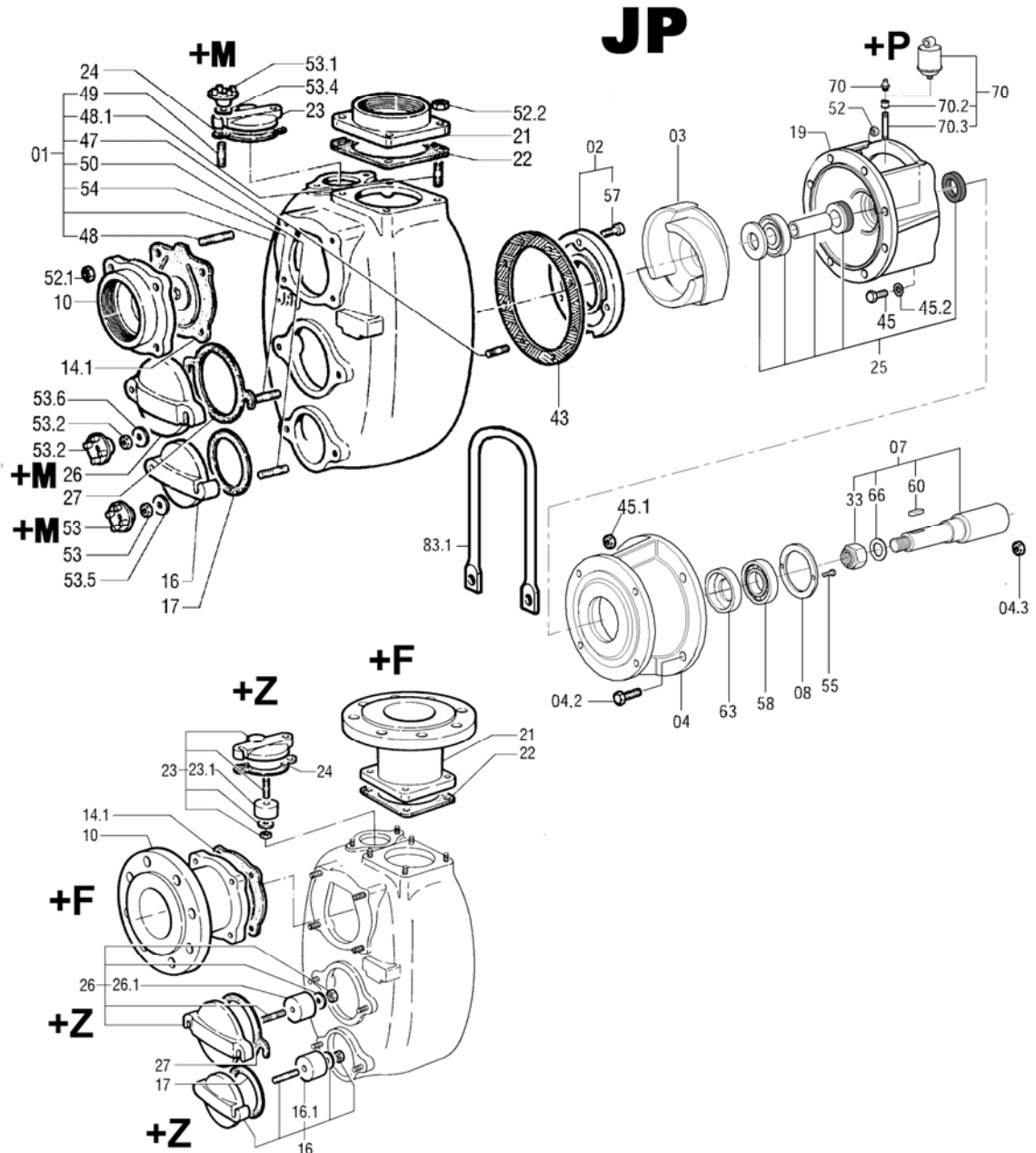
DISTINTA DELLE PARTI COSTITUENTI LE POMPE CENTRIFUGHE AUTOADESCANTI SERIE " J "
SPARE PARTS LIST FOR " J " SERIES SELF-PRIMING PUMPS
LISTE DES PIECES DE RECHANGE POUR POMPES CENTRIFUGES AUTO-AMORCANTES SERIE " J "
ERSATZTEILLISTE FÜR SELBSTANSAUGENDE KREISELPUMPEN SERIE " J "

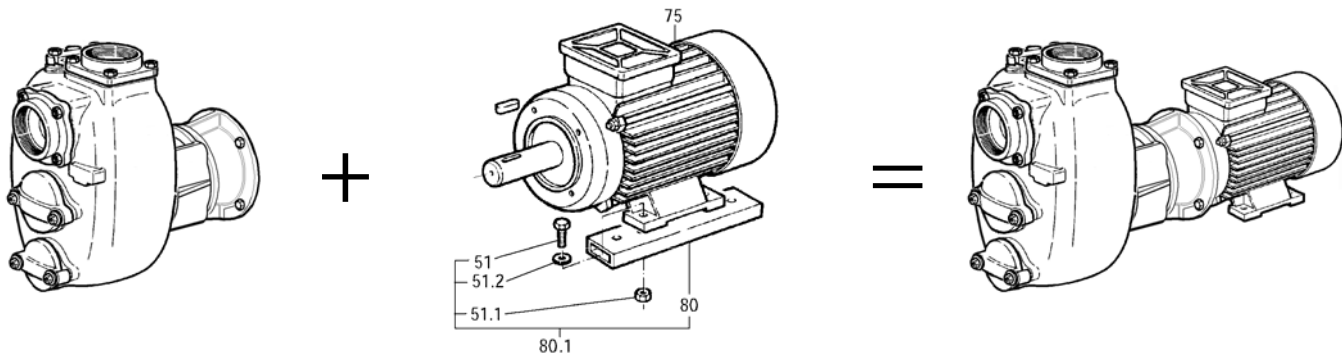


| | |
|--------------|----------------|
| JP 4-160 G10 | Code 1000 9306 |
| JP 4-160 Q10 | Code 1001 4558 |
| JP 4-160 F10 | Code 1002 0583 |
| JP 4-160 P10 | Code 1001 4769 |
| JP 4-160 T10 | Code 1004 3412 |



| | |
|--------------|----------------|
| JE 4-160 G10 | Code 1004 2938 |
| JE 4-160 Q10 | Code 1004 6820 |
| JE 4-160 F10 | Code 1004 6821 |
| JE 4-160 P10 | Code 1004 6822 |
| JE 4-160 T10 | Code 1004 6823 |





JP

+

MOTORE / MOTOR

=

JE

| Rif. N°. Pos. Nr. | Quant. | Denominazione | Part name | Den. Comm. Type | Mat.* | Codice Nuovo New Part No. | JP 4-160 G10 | JP 4-160 Q10 | JP 4-160 F10 | JP 4-160 P10 | JP 4-160 T10 |
|----------------------|--------|--------------------|----------------------|----------------------|-------|---------------------------------|--------------|--------------|--------------|--------------|--------------|
| | | | | | | | | | | | |
| 01 | 1 | Corpo (1) | Casing (1) | | G | 1000 8048 | ○ | | | ○ | |
| | | | | | G+QPQ | 1004 6824 | | | | ○ | |
| | | | | | G | 1004 6741 | | ○ | ○ | | |
| 02 | 1 | Piatto d'usura (2) | Front wear plate (2) | | G | 1000 8417 | | | | ○ | |
| | | | | | B | 1000 8392 | | ○ | ○ | | |
| | | | | | GN | 1000 8441 | ○ | | | | |
| | | | | | G+QPQ | 1004 6825 | | | | ○ | |
| 03 | 1 | Girante | Impeller | | G | 1000 5347 | ○ | | | ○ | |
| | | | | | B | 1000 5235 | | ○ | | | |
| | | | | | K | 1000 5420 | | | ○ | | |
| | | | | | G+QPQ | 1004 3410 | | | | ○ | |
| 04 | 1 | Campana | Coupling flange | | G | 10040891 | ○ | ○ | ○ | ○ | ○ |
| 04.2 | 4 | Vite | Screw | M16 x 50 DIN 933 | S | 1000 1975 | ○ | | | ○ | ○ |
| | | | | | K | | | ○ | ○ | | |
| 04.3 | 4 | Dado | Nut | M16 DIN 934 | S | 1000 1425 | ○ | | | ○ | ○ |
| | | | | | K | 1000 1442 | | ○ | ○ | | |
| 07 | 1 | Albero (3) | Shaft (3) | | S | 1004 0892 | ○ | | | ○ | ○ |
| | | | | | K | 1004 3200 | | ○ | ○ | | |
| 08 | 1 | Copricuscinetto | Bearing cover | | G | 1004 0857 | ○ | ○ | ○ | ○ | ○ |
| 10 | 1 | Portavalvola | Suction flange | R4" | G | 1000 6426 | ○ | | ○ | ○ | ○ |
| | | | | | OTS | 1000 6401 | | ○ | | | |
| | | | | | | | +F | +F | +F | +F | +F |
| 14.1 | 1 | Valvola completa | Check valve ass. | | NH | 1000 9032 | ○ | | | | ○ |
| | | | | | VK | 1000 9024 | | ○ | ○ | ○ | ○ |
| 16 | 1 | Portina | Cover | | G | 1000 6474 | ○ | | ○ | ○ | ○ |
| | | | | | GZ | 1000 8503 | | ○ | | | |
| | | | | | GZ | 1000 8503 | +Z | | | | +Z |
| 16.1 | 2 | Placca zinco | Zinc anode | | Z | 1000 3810 | +Z | | | | +Z |
| 17 (**) | 1 | Guarnizione | Gasket | | | | | | | | |
| 19 | 1 | Portamotore | Head | | G | 1000 6304 | ○ | ○ | ○ | ○ | |
| | | | | | G+QPQ | 10043392 | | | | | ○ |
| 21 | 1 | Flangia mandata | Discharge flange | R4" | G | 1000 5094 | ○ | | ○ | ○ | ○ |
| | | | | | OTS | 1000 5072 | | ○ | | | |
| | | | | | | | +F | +F | +F | +F | +F |
| 22 (**) | 1 | Guarnizione | Gasket | | | | | | | | |
| 23 | 1 | Portina | Cover | | G | 1000 6473 | ○ | | ○ | ○ | ○ |
| | | | | | GZ | 1000 8502 | | ○ | | | |
| | | | | | GZ | | +Z | | | | +Z |
| 23.1 | 1 | Placca zinco | Zinc anode | | Z | 1000 3810 | +Z | | | | +Z |
| 24 (**) | 1 | Guarnizione | Gasket | | | | | | | | |
| 25 | 1 | Tenuta completa | Mechanical seal | T 35 YYN T 35 YYV | | 1000 8836 | ○ | | | | ○ |
| | | | | | | 1000 8834 | | ○ | ○ | ○ | ○ |
| 26 | 1 | Portina | Cover | | G | 1000 6475 | ○ | | ○ | ○ | ○ |
| | | | | | GZ | 1000 8504 | | ○ | | | |
| | | | | | GZ | | +Z | | | | +Z |

VARISCO S.p.A.

35129 Padova - Z.I. Nord Terza Strada, 9

Tel. 049 82 94 111

Fax 049 82 94 373

+39 049 82 94 111

International +39 049 80 76 762

 **varisco**
solid pumping solutions

| Rif. N°. Pos. Nr. | Quant. | Denominazione | Part name | Den. Comm. Type | Mat. * | Codice Nuovo New Part No. | JP 4-160 G10 | JP 4-160 Q10 | JP 4-160 F10 | JP 4-160 P10 | JP 4-160 T10 |
|----------------------|--------|---------------------|-----------------|---|-------------|-------------------------------------|--------------|--------------|--------------|--------------|--------------|
| 26.1 | 2 | Placca zinco | Zinc anode | | Z | 1000 3810 | +Z | | | | +Z |
| 27 (**) | 1 | Guarnizione | Gasket | | | | | | | | |
| 33 | 1 | Dado blocca girante | Impeller nut | M 24 x 2 UNI 7474 M 24 x 2 UNI 7474 | H K | 1000 1465 1000 1472 | ○ | ○ | ○ | ○ | ○ |
| 34 | 1 | Anello spartiacque | Water deflector | 30 x 85 x 1 | H | 1000 4111 | ○ | | ○ | ○ | |
| 43 (**) | 2 | Guarnizione corpo | Casing gasket | | | | | | | | |
| 45 | 4 | Vite | Screw | M 12 x 40 DIN 933 M 12 x 40 DIN 933 M 12 x 30 DIN 933 | S K S | 1000 1962 1000 2054 1000 1960 | ○ | ○ | | | ○ |
| 45.1 | 4 | Dado | Nut | M 12 DIN 934 M 12 DIN 934 | S K | 1000 1422 1000 1439 | ○ | | ○ | ○ | ○ |
| 45.2 | 4 | Rondella | Washer | M 12 DIN 125A | S K | 1000 1699 1000 1706 | ○ | | ○ | ○ | ○ |
| 47 (*) | 8 | Prigioniero | Stud | M 10 x 25 DIN 938 M 10 x 25 DIN 938 | S K | | ○ | | ○ | ○ | ○ |
| 48 (*) | 4 | Prigioniero | Stud | M 12 x 30 DIN 938 M 12 x 30 DIN 938 | S K | | ○ | | ○ | ○ | ○ |
| 48.1 (*) | 4 | Prigioniero | Stud | M 12 x 30 DIN 938 M 12 x 30 DIN 938 | S K | | ○ | | ○ | ○ | ○ |
| 49 (*) | 2 | Prigioniero | Stud | M 10 x 30 DIN 938 M 10 x 35 DIN 938 | S K | | ○ | | ○ | ○ | ○ |
| 50 (*) | 2 | Prigioniero | Stud | M 10 x 30 DIN 938 M 10 x 35 DIN 938 | S K | | ○ | | ○ | ○ | ○ |
| 51 | 4 | Vite | Screw | M 12 x 40 DIN 933 | S | 1000 1962 | ○ | ○ | ○ | ○ | ○ |
| 51.1 | 4 | Dado | Nut | M 12 DIN 934 | S | 1000 1422 | ○ | ○ | ○ | ○ | ○ |
| 51.2 | 4 | Rondella | Washer | M 12 DIN 125A | S | 1000 1699 | ○ | ○ | ○ | ○ | ○ |
| 52 (*) | 8 | Dado | Nut | M 10 DIN 934 M 10 DIN 934 | S H | | ○ | | ○ | ○ | ○ |
| 52.1 (*) | 4 | Dado | Nut | M 12 DIN 934 M 12 DIN 934 | S H | | ○ | | ○ | ○ | ○ |
| 52.2 (*) | 4 | Dado | Nut | M 12 DIN 934 M 12 DIN 934 | S H | | ○ | | ○ | ○ | ○ |
| 53 (*) | 2 | Dado | Nut | M 10 DIN 934 | S K | | ○ | | ○ | ○ | ○ |
| | | Maniglietta | Wrench | M 10 | OTS | | +M | ○ | | | +M |
| 53.1 (*) | 2 | Dado | Nut | M 10 DIN 934 | S K | | ○ | | ○ | ○ | ○ |
| | | Maniglietta | Wrench | M 10 | OTS | | +M | ○ | | | +M |
| 53.2 (*) | 2 | Dado | Nut | M12 DIN 934 | S K | | ○ | | ○ | ○ | ○ |
| | | Maniglietta | Wrench | M12 | OTS | | +M | ○ | | | +M |
| 53.4 (*) | 2 | Rondella | Washer | M 10 DIN 125 A | S K | | ○ | | ○ | ○ | ○ |
| 53.5 (*) | 2 | Rondella | Washer | M 10 DIN 125 A | S K | | ○ | | ○ | ○ | ○ |
| 53.6 (*) | 2 | Rondella | Washer | M 12 DIN 125 A | S K | | ○ | | ○ | ○ | ○ |
| 54 (*) | 2 | Prigioniero | Stud | M 12 x 35 DIN 938 M 12 x 35 DIN 938 | S K | | ○ | | ○ | ○ | ○ |
| 55 | 4 | Vite | Screw | M 6 x 20 DIN 933 M 6 x 20 DIN 933 | S K | 1000 1933 1000 2023 | ○ | | ○ | ○ | ○ |
| 57 (*) | 3 | Vite | Screw | M 10 x 20 DIN 912 M 10 x 20 DIN 912 | H K | | ○ | | ○ | ○ | ○ |
| 58 | 1 | Cuscinetto | Ball bearing | 6308 2RS | | 1004 0889 | ○ | ○ | ○ | ○ | ○ |
| 60 | 1 | Linguetta | Key | 8x7x32 DIN 6885 A | K | 1000 1624 | ○ | ○ | ○ | ○ | ○ |
| 63 | 1 | Ghiera | Sleeve | | S | 1004 0890 | ○ | ○ | ○ | ○ | ○ |
| 66 | 1 | Rondella | Washer | M 24 DIN 125 A M 24 DIN 125 A | H K | 1000 1714 1000 1713 | ○ | | ○ | ○ | ○ |
| 70 (*) | 1 | Ingrassatore | Grease nipple | M 1/4" | | | ○ | ○ | ○ | ○ | ○ |
| | 1 | Cartuccia Perma | Perma cartridge | M 1/4" | | 1000 8316 | +P | +P | +P | +P | +P |
| 70.2 | 1 | Manicotto | Union | 1/4" | G | | +P | +P | +P | +P | +P |
| 70.3 | 1 | Prolunga | Grease tube | 1/4" | S | | +P | +P | +P | +P | +P |

| Rif. N°. Pos. Nr. | Quant. | Denominazione | Part name | Den. Comm. Type | Mat.* | Codice Nuovo New Part No. | JP 4-160 G10 | JP 4-160 Q10 | JP 4-160 F10 | JP 4-160 P10 | JP 4-160 T10 |
|----------------------|--------|---------------------|---------------------|--|------------------|--|--------------|--------------|--------------|--------------|--------------|
| 75 | 1 | Motore | A.C. Motor | 11kW 2P V 400-690 | | 1004 2939 | ○ | ○ | ○ | ○ | ○ |
| 80 | 2 | Piede motore | Motor base | | | 1000 7424 | ○ | ○ | ○ | ○ | ○ |
| 80.1 | 1 | Kit piede motore | Electric motor foot | | | 1004 3180 | ○ | ○ | ○ | ○ | ○ |
| 83.1 | 1 | Gancio di sollevam. | Lifting hook | | S | 1004 6147 | ○ | ○ | ○ | ○ | ○ |
| (*) | | Serie viterie | Set of screws | | | 1001 4194 1002 0581 1001 4208 | ○ | | ○ | | ○ |
| (**) | | Serie guarnizioni | Set of gaskets | | | 1001 4195 1001 4196 1001 4209 | ○ | ○ | | ○ | ○ |
| +P*** | | Kit flange | Kit flange | DN 100 PN16 DN 100 PN16 4" ASA150 4" ASA150 | G B G B | 1004 2352 1004 2787 1004 2820 1004 2824 | ○ | ○ | ○ | ○ | ○ |
| +P*** | | Kit ingrassatore | Compl. Grease kit | | | 1000 8316 | ○ | ○ | ○ | ○ | ○ |
| +Z*** | | Kit portine | Set of couer | | GZ | 1001 4174 | ○ | | | | ○ |
| +M*** | | Kit manigliette | Set of wrench | | OTS | 1004 2795 | ○ | | | | ○ |
| *** | | Optional | | | | | | | | | |

| Note: | Notes: |
|--|---|
| 1) Completo di prigionieri (47, 48, 48.1, 49, 50, 54). | 1) Complete with studs (47, 48, 48.1, 49, 50, 54). |
| 2) Completo di viti (57). | 2) Complete with screws (57). |
| 3) Completo di linguette (60, 61), dado (33), rondella (66), ghiera (62) e anello spartiacque (34). | 3) Complete with keys (60, 61), nut (33), water deflector (34) washer (66), and lock ring (62). |
| * Materiali di costruzione | * Construction materials |
| B = Bronzo | B = Bronze |
| G = Ghisa | G = Cast iron |
| G+QPQ = Ghisa+QPQ | G+QPQ = Cast iron+Quench Polish Quench |
| H = Acciaio inox AISI 304 | H = AISI 304 stainless steel |
| K = Acciaio inox AISI 316 | K = AISI 316 stainless steel |
| N = Gomma nitrile | N = Nitrile rubber |
| OTS = Ottone | OTS = Brass |
| S = Acciaio | S = Steel |
| V = Viton | V = Viton |
| Z = Zinco | Z = Zinc |
| Ordinare il materiale indicando sempre la quantità, la denominazione, il codice del pezzo, il tipo ed il numero della pompa. | When ordering spares always indicate type and serial number of pump, quantity, part name, and number. |