

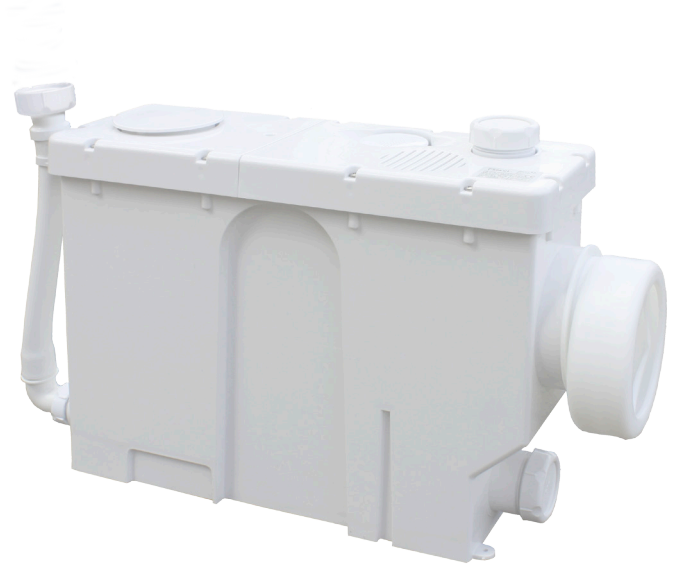
wasteflo

WC4C - Macerator

The Wasteflo WC4C macerator is ideal when transforming any area into a complete bathroom or en-suite.

The slimline design of the Wasteflo WC4C macerator is designed for installation out of sight behind a stud-partition or other enclosed space and is ideal for use with a back to wall or wall-hung toilet.

An innovative watertight cassette unit enables easy removal, cleaning and maintenance of the working parts without having to remove the WC, cistern or pipework.

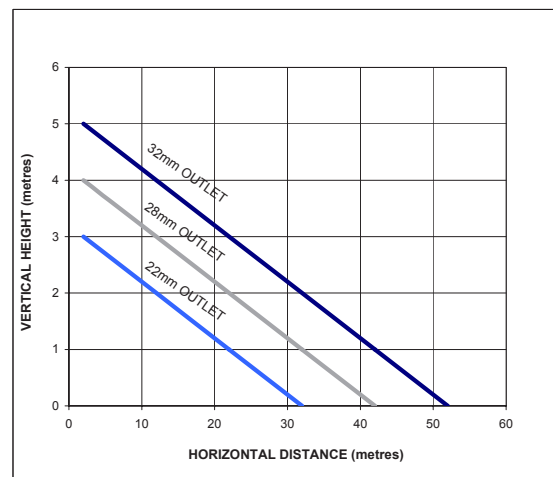


Features

- WC coupling features innovative inbuilt height adjustment (± 16 mm) to accommodate variations in WC outlet position
- Two side inlets suitable for 32 mm (1¼ ") waste pipe to connect to a basin or shower (40 mm (1½ ") inlet adaptor included)
- One top inlet suitable for 32 mm (1½ ") waste pipe to connect to a basin (40 mm (1½ ") inlet adaptor included)
- Outlet - suitable for 32 mm, 28 mm or 22 mm waste pipe
- Pumps up to 5 m vertically or 52 m horizontally
- Maximum flow rate of 90 l/min
- Complies with BS EN 12050
- Typical 50 dB noise level
- Supplied pre-wired with 1.5 m power cable

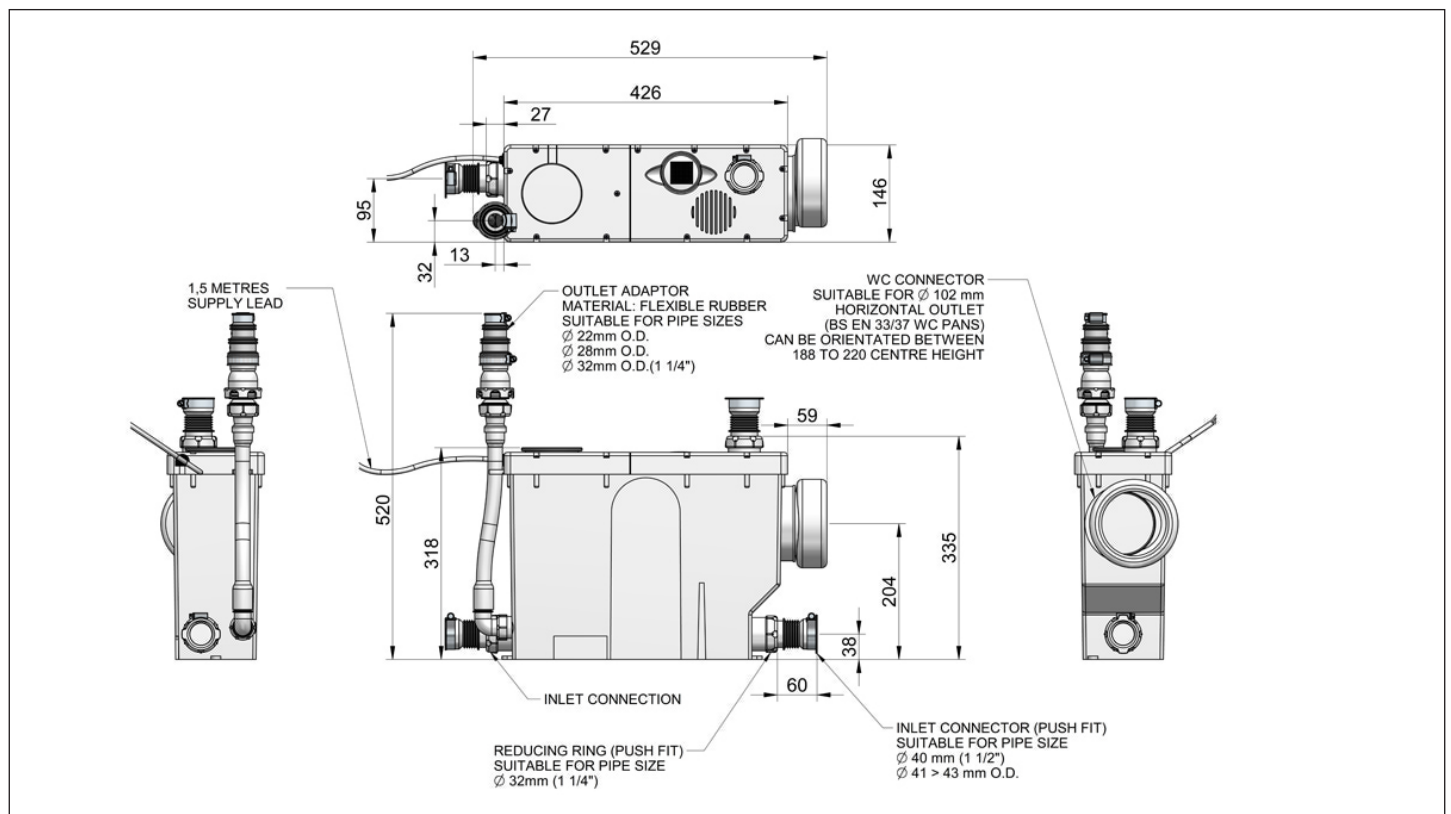
Application

- Macerators are a simple way to pump waste water from a sanitary appliance where there is no local access to a soil pipe



wasteflo

Pump Model		WC4C 46653
General	Guarantee	2 years
Features	Adjustable WC coupling	✓
	Slimline design	✓
	Easy access cassette unit	✓
	Noise level	50 dB (typical)
Performance	Maximum head	5.4 metres
	Pumping distance (vertical)	Up to 5 metres
	Pumping distance (horizontal)	Up to 52 metres
	Maximum flow	90 l/min
	Maximum ambient air temperature	40 °C
	Min / Max water temperature	Min 4 °C / Max 50 °C
Connections	WC	102 mm dia.
	Inlet(s)	40 mm (1½") dia.
	Outlet	32 mm, 28 mm, 22 mm waste pipe adaptor
Motor	Duty rating	Continuous
Electrical	Power supply / phase / frequency	230 V a.c. / 1 / 50 Hz
	Current (full load)	2.2 Amps
	Power consumption	500 Watts
	Fuse rating	5 Amps
	Power cable (pre-wired)	1.5 metres
Physical	Enclosure protection	IPX4
	Length	529 mm
	Width	146 mm
	Height (excluding hoses)	318 mm
	Weight (including fittings)	7.4 Kg



Stuart Turner Limited reserves the right to amend specifications without notice.