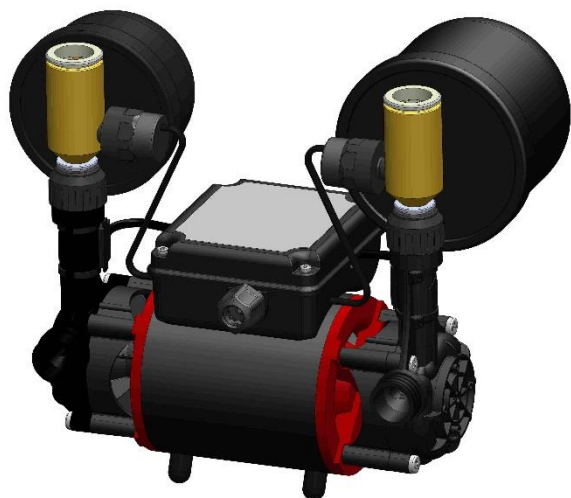


## STR2 & SSR2 Universal Head Shower Booster Pump Range



### General Description

The STR2 & SSR2 range of shower booster pumps has been specifically designed to minimise turbulence within the pump head, giving performance with low noise. The quiet AC induction motor is smooth and reliable, and the regenerative design of impeller is ideal for overcoming air pockets that can be generated in a shower system. This type of pump is ideal where the plumbing route includes multiple bends and elbows.

All variants are fitted with high quality shaft seals, and supplied with high quality braided connection hoses and filter washers.

Choose the Universal type pump for installations where the outlet is at the same height, or above the water storage tank. The pump will switch on automatically when the outlet is opened.

Choose from 1.5 bar and 2.0 bar pressure twin ended and 2.0 bar pressure single ended pumps.

### Features

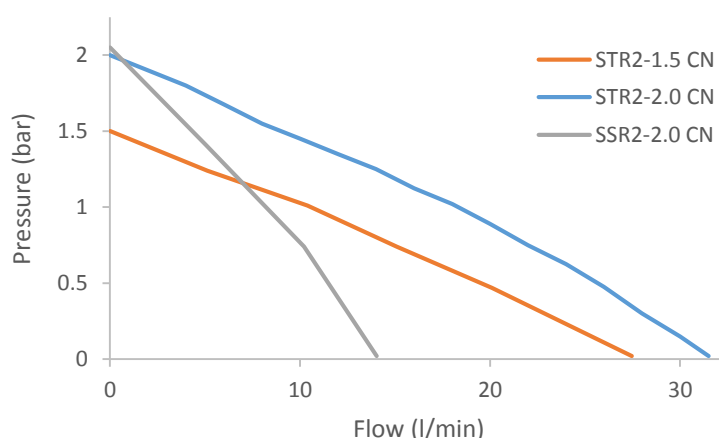
- Continuously rated pump
- Regenerative impeller design
- IPX2 water ingress protection
- Auto-resetting thermal cutout
- Anti-vibration feet
- Mains connection lead – 1.5m long
- Braided connection hoses with 22mm push-fit connections
- 2 year warranty

### Technical Data

| Data                        | Pump type                         |                                   |                                     |
|-----------------------------|-----------------------------------|-----------------------------------|-------------------------------------|
|                             | STR2-1.5 CN<br>Twin ended<br>pump | STR2-2.0 CN<br>Twin ended<br>pump | SSR2-2.0 CN<br>Single ended<br>pump |
| Supply voltage              | 230 V, 50 Hz                      |                                   |                                     |
| Power consumption           | 340 W                             | 420 W                             | 280 W                               |
| Rated current               | 1.5 A                             | 1.8 A                             | 1.2 A                               |
| Rating                      | Continuous operation *            |                                   |                                     |
| Enclosure class             | IPX2 **                           |                                   |                                     |
| Motor                       | AC induction                      |                                   |                                     |
| Inlet head<br>(min. - max.) | 1 to 8 m                          |                                   |                                     |
| Max. developed<br>pump head | 15 m                              | 20 m                              | 20 m                                |
| Max. operating<br>pressure  | 3 bar                             | 3 bar                             | 3 bar                               |
| Min. starting flow          | 0.5 l/min.                        |                                   |                                     |
| Length                      | 310 mm                            | 310 mm                            | 215 mm                              |
| Width                       | 235 mm                            |                                   |                                     |
| Height                      | 255 mm                            |                                   |                                     |
| Weight                      | 6 kg                              | 6 kg                              | 4.6 kg                              |
| Noise level                 | From 55 to 65 dB(A) @1m           |                                   |                                     |

\* Recommended minimum flow rate: 5 l/min.

\*\* When mounted on a horizontal surface



Pump performance at 230V with 2m inlet head

Grundfos Watermill Ltd, Gemini House, Enterprise Way, Edenbridge, Kent. TN8 6HF.

Tel.: 01732 869700. Fax: 01732 869716. [www.grundfoswatermill.co.uk](http://www.grundfoswatermill.co.uk)

ML10607 03/16