

# mainsboost

## Mainsboost

Mainsboost systems are designed to stabilise water pressure and increase flow to combination boilers and unvented systems allowing multiple taps and showers to be used at the same time.

Designed for unvented systems where the mains is greater than 2.0 bar but water flow is inadequate. Mainsboost systems can be supplied with multiple vessel options. Where space is an issue, Mainsboost is also available in a range of horizontal sizes to suit the application requirements and are supplied with an additional mounting cradle.



### Features

- Flow rate up to 80 litres/minute per vessel
- 100 - 1000 litre capacity vessel options
- Silent operation
- Maintenance free
- Consumes no electricity
- Robust construction
- Long life butyl diaphragm
- WRAS Approved product
- 5 year guarantee
- Includes comprehensive Upstream Line-in Kit (ULK) as standard

### Application

- Suitable for boosting the cold water mains supply to residential and commercial properties

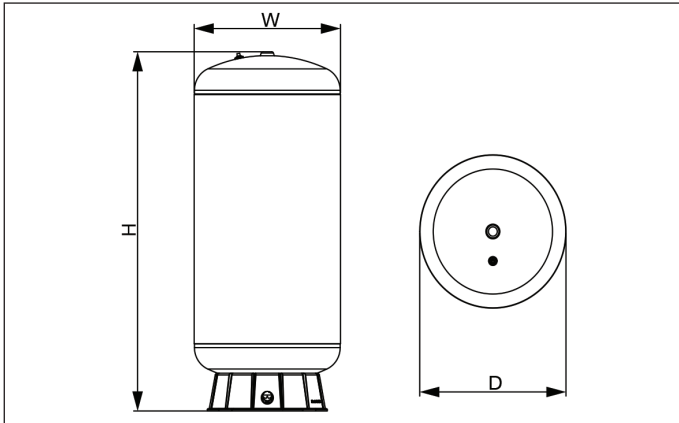
# mainsboost

## Mainsboost Vessel

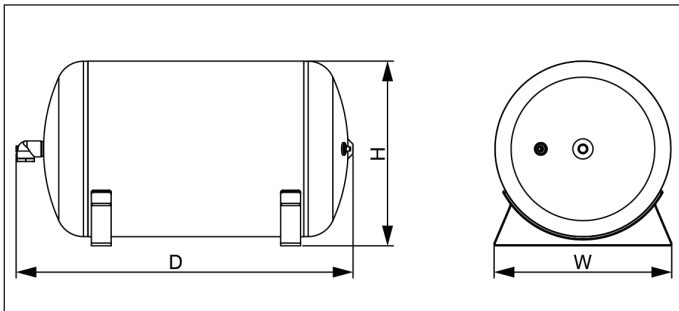
General	Construction				Mild steel				
	Membrane				Butyl rubber				
	WRAS approval				1501305				
	System patent no.				2349908				
	Guarantee				5 years				
Performance	Maximum working pressure*				1000 kPa (10 bar)				
	Min / Max operating temperature				Min 4 °C / Max 35 °C				
	Max rated temperature				90 °C				
Steel vessels vertical	<b>Model</b>	<b>Vessel capacity (litres)**</b>	<b>Dimensions (mm)</b>			<b>Weight empty (Kg)</b>	<b>Weight filled (Kg)</b>	<b>Maximum weight (Kg)</b>	<b>ULK Kit (mm)</b>
			<b>H</b>	<b>W</b>	<b>D</b>				
	MB 100SV	55	890	410	410	17.5	72.5	117.5	22
	MB 130SV	71	1100	410	410	21.5	92.5	151.5	22
	MB 200SV	110	1030	535	535	33.5	143.5	233.5	22
	MB 250SV	132	1210	535	535	38.5	170.5	288.5	22
	MB 300SV	174	1505	535	535	47	221	347	22
	MB 450SV	248	1545	660	660	72	320	522	22 or 28
	MB 600SV	330	1859	740	740	128	458	728	35
	MB 800SV	440	2325	740	740	176	616	976	35
Steel vessels horizontal	MB 1000SV	550	2604	740	740	214	764	1214	35
	MB 200SH	110	558	540	1026	38.5	148.5	238.5	22
MB 250SH	132	558	540	1206	43.5	175.5	293.5	22	

\* The maximum pressure that can be applied to the cylinder under any installation conditions.

\*\*At typical working pressure



Model Description	Dim. 'H'	Dim. 'W'	Dim. 'D'
MB 100SV	890 mm	410 mm	410 mm
MB 130SV	1100 mm	410 mm	410 mm
MB 200SV	1030 mm	535 mm	535 mm
MB 250SV	1210 mm	535 mm	535 mm
MB 300SV	1505 mm	535 mm	535 mm
MB 450SV	1545 mm	660 mm	660 mm
MB 600SV	1859 mm	740 mm	740 mm
MB 800SV	2325 mm	740 mm	740 mm
MB 1000SV	2604 mm	740 mm	740 mm



Model Description	Dim. 'H'	Dim. 'W'	Dim. 'D'
MB 200SH	558 mm	540 mm	1026 mm
MB 250SH	558 mm	540 mm	1206 mm

Stuart Turner Limited reserves the right to amend specifications without notice.