

Count	Description
1	<p data-bbox="223 336 406 369">MAGNA1 25-40</p> <div data-bbox="223 369 558 627">  </div> <p data-bbox="614 638 1077 660">Product photo could vary from the actual product</p> <p data-bbox="223 672 494 694">Product No.: 99221216</p> <p data-bbox="223 705 1460 795">The new MAGNA1 is the simple option for a job well done. It is the perfect choice when replacing older circulators and due to its compliance with the EuP 2015 regulations, substantial savings on electricity is a reality. The ideal choice for basic performance needs in applications where basic system control and monitoring is desired.</p> <ul data-bbox="263 806 1348 1019" style="list-style-type: none"> • Monitoring via the fault relay, ensuring peace of mind • Digital start/stop input available for remote pump control • Continuous operation and reduced downtime with the wireless twin pump function (available on twin-head pumps) • High energy efficiency resulting in substantial savings on electricity • Easy setup and operation via the simple user interface • No maintenance due to the canned-rotor type design. <p data-bbox="223 1041 1037 1075">MAGNA1 is the simple and efficient choice for most applications including</p> <ul data-bbox="263 1075 726 1310" style="list-style-type: none"> • Heating <ul style="list-style-type: none"> - Main pump - Mixing loops - Heating surfaces • Cooling <ul style="list-style-type: none"> - Air conditioning surfaces - Ground source heat pump systems - Smaller chiller applications <p data-bbox="223 1377 303 1400">Liquid:</p> <p data-bbox="223 1400 718 1523"> Pumped liquid: Water Liquid temperature range: 14 .. 230 °F Selected liquid temperature: 140 °F Density: 61.35 lb/ft³ </p> <p data-bbox="223 1556 343 1579">Technical:</p> <p data-bbox="223 1579 941 1646"> TF class: 110 Approvals on nameplate: CE, VDE, EAC, CN ROHS, WEEE </p> <p data-bbox="223 1668 335 1691">Materials:</p> <p data-bbox="223 1691 782 1814"> Pump housing: Cast iron EN-GJL-200 ASTM A48-200B Impeller: PES 30%GF </p> <p data-bbox="223 1848 359 1870">Installation:</p> <p data-bbox="223 1870 726 2027"> Range of ambient temperature: 32 .. 104 °F Maximum operating pressure: 145.04 psi Pipe connection: G 1 1/2" Pressure stage: PN 10 Port-to-port length: 7 1/8 in </p> <p data-bbox="223 2049 391 2083">Electrical data:</p>



Company name:

Created by:

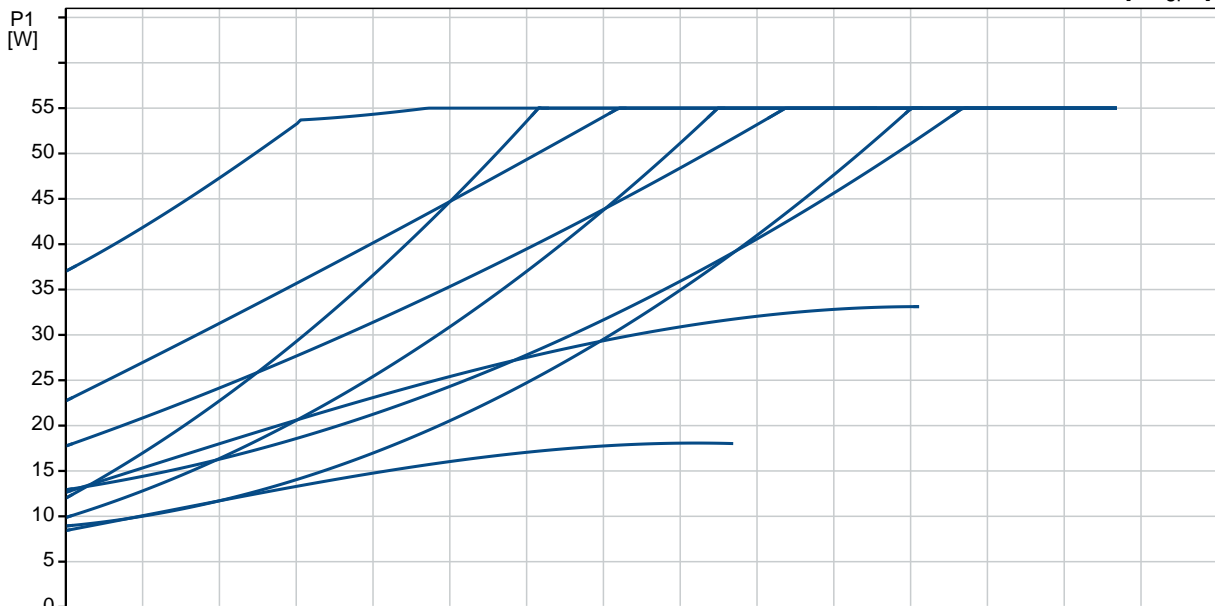
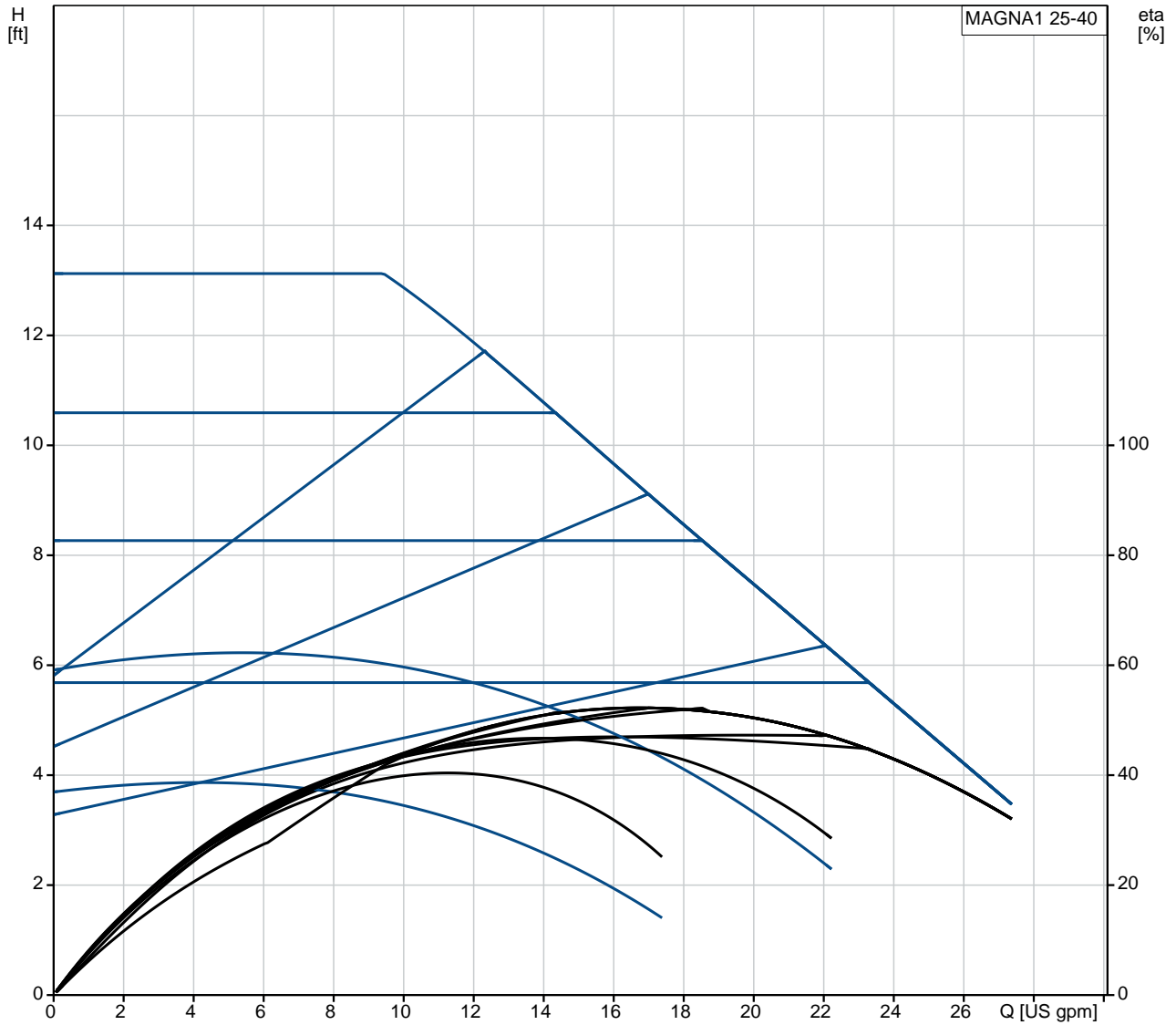
Phone:

Date:

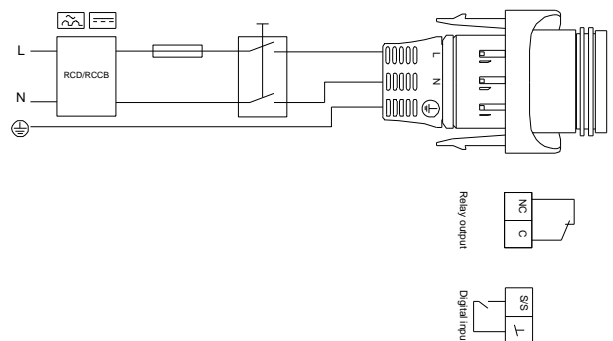
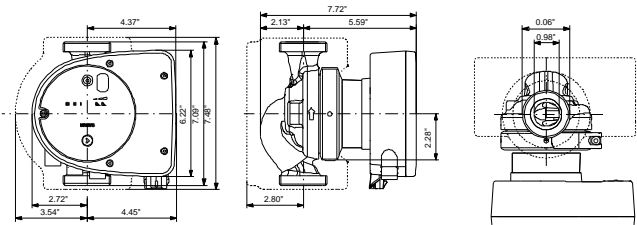
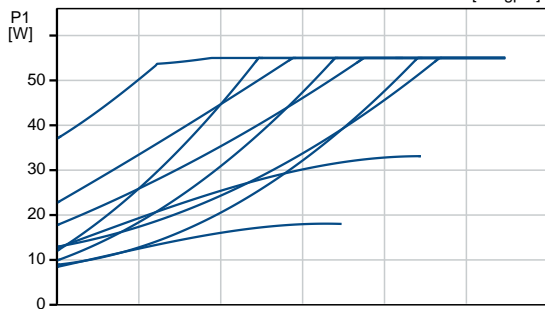
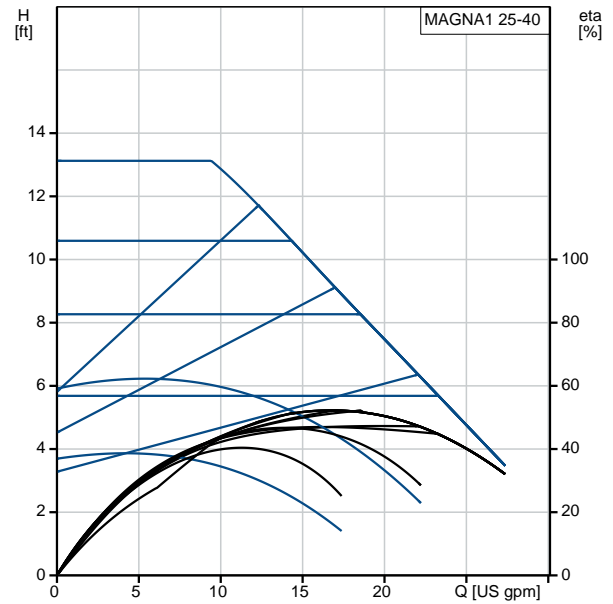
11/11/2020

Count	Description
	Power input - P1: 9 .. 56 W
	Main frequency: 50 / 60 Hz
	Rated voltage: 1 x 230 V
	Maximum current consumption: 0.09 .. 0.45 A
	Enclosure class (IEC 34-5): X4D
	Insulation class (IEC 85): F
	Others:
	Energy (EEI): 0.20
	Net weight: 9.92 lb
	Gross weight: 11 lb
	Shipping volume: 0.46 ft ³
	Finnish LVI No.: 4615235

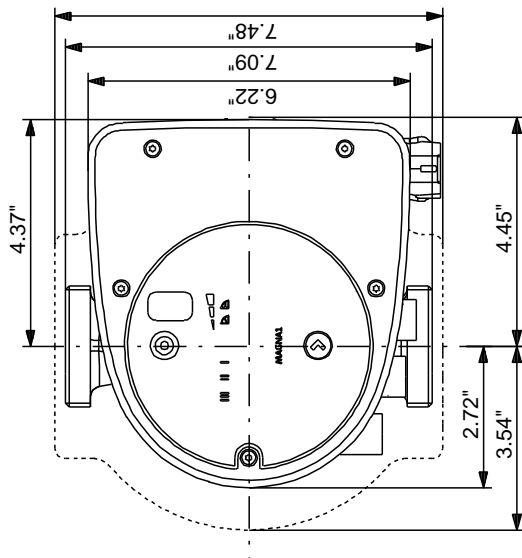
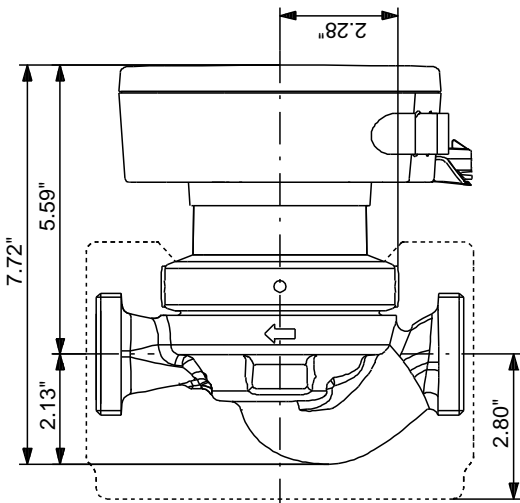
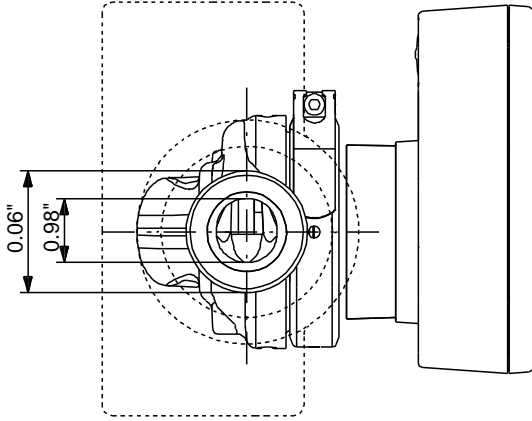
99221216 MAGNA1 25-40



Description	Value
General information:	
Product name:	MAGNA1 25-40
Product No.:	99221216
EAN:	5712608941894
Technical:	
Head max:	13.12 ft
TF class:	110
Approvals on nameplate:	CE,VDE,EAC,CN ROHS,WEEE
Model:	C
Materials:	
Pump housing:	Cast iron
Pump housing:	EN-GJL-200
Pump housing:	ASTM A48-200B
Impeller:	PES 30%GF
Installation:	
Range of ambient temperature:	32 .. 104 °F
Maximum operating pressure:	145.04 psi
Pipe connection:	G 1 1/2"
Pressure stage:	PN 10
Port-to-port length:	7 1/8 in
Liquid:	
Pumped liquid:	Water
Liquid temperature range:	14 .. 230 °F
Selected liquid temperature:	140 °F
Density:	61.35 lb/ft ³
Electrical data:	
Power input - P1:	9 .. 56 W
Main frequency:	50 / 60 Hz
Rated voltage:	1 x 230 V
Maximum current consumption:	0.09 .. 0.45 A
Enclosure class (IEC 34-5):	X4D
Insulation class (IEC 85):	F
Others:	
Energy (EEL):	0.20
Net weight:	9.92 lb
Gross weight:	11 lb
Shipping volume:	0.46 ft ³
Finnish LVI No.:	4615235

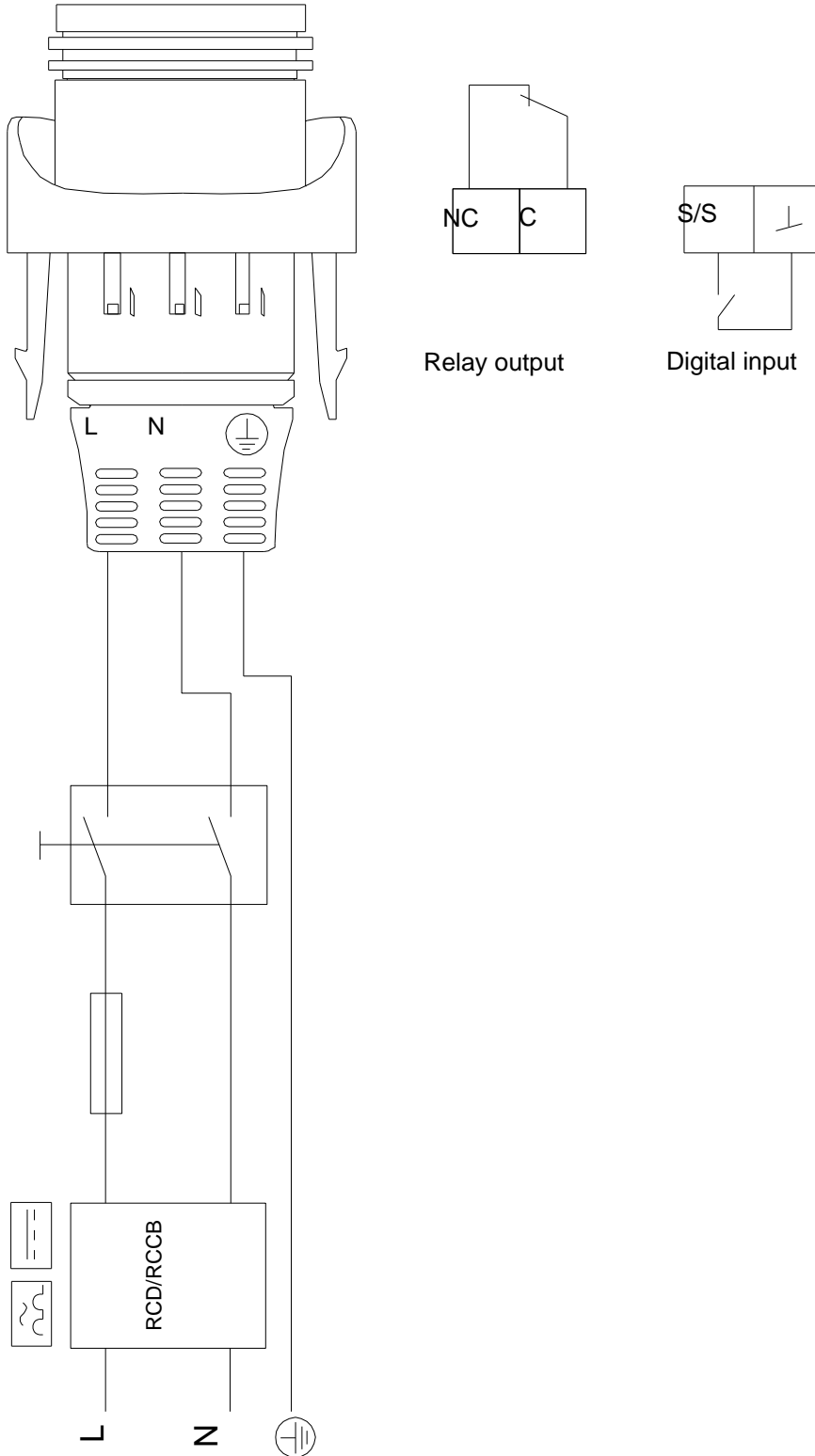


99221216 MAGNA1 25-40



Note! All units are in [in] unless otherwise stated.
 Disclaimer: This simplified dimensional drawing does not show all details.

99221216 MAGNA1 25-40



All units are [in] unless otherwise presented.