

Count	Description
1	<p data-bbox="223 336 406 369"><b>MAGNA1 32-80</b></p> <div data-bbox="223 369 558 627">  </div> <p data-bbox="614 638 1077 660">Product photo could vary from the actual product</p> <p data-bbox="223 672 494 694">Product No.: <a href="#">99221235</a></p> <p data-bbox="223 705 1460 795">The new MAGNA1 is the simple option for a job well done. It is the perfect choice when replacing older circulators and due to its compliance with the EuP 2015 regulations, substantial savings on electricity is a reality. The ideal choice for basic performance needs in applications where basic system control and monitoring is desired.</p> <ul data-bbox="263 806 1348 1019" style="list-style-type: none"> <li>• Monitoring via the fault relay, ensuring peace of mind</li> <li>• Digital start/stop input available for remote pump control</li> <li>• Continuous operation and reduced downtime with the wireless twin pump function (available on twin-head pumps)</li> <li>• High energy efficiency resulting in substantial savings on electricity</li> <li>• Easy setup and operation via the simple user interface</li> <li>• No maintenance due to the canned-rotor type design.</li> </ul> <p data-bbox="223 1041 1037 1075">MAGNA1 is the simple and efficient choice for most applications including</p> <ul data-bbox="263 1075 726 1310" style="list-style-type: none"> <li>• Heating <ul data-bbox="295 1108 526 1198" style="list-style-type: none"> <li>- Main pump</li> <li>- Mixing loops</li> <li>- Heating surfaces</li> </ul> </li> <li>• Cooling <ul data-bbox="295 1220 726 1310" style="list-style-type: none"> <li>- Air conditioning surfaces</li> <li>- Ground source heat pump systems</li> <li>- Smaller chiller applications</li> </ul> </li> </ul> <p data-bbox="223 1377 303 1400">Liquid:</p> <p data-bbox="223 1400 718 1422">Pumped liquid: Water</p> <p data-bbox="223 1433 718 1456">Liquid temperature range: 14 .. 230 °F</p> <p data-bbox="223 1467 718 1489">Selected liquid temperature: 140 °F</p> <p data-bbox="223 1500 718 1523">Density: 61.35 lb/ft³</p> <p data-bbox="223 1556 343 1579">Technical:</p> <p data-bbox="223 1579 638 1601">TF class: 110</p> <p data-bbox="223 1612 941 1635">Approvals on nameplate: CE, VDE, EAC, CN ROHS, WEEE</p> <p data-bbox="223 1668 335 1691">Materials:</p> <p data-bbox="223 1702 782 1780">Pump housing: Cast iron EN-GJL-200 ASTM A48-200B</p> <p data-bbox="223 1792 734 1814">Impeller: PES 30%GF</p> <p data-bbox="223 1848 359 1870">Installation:</p> <p data-bbox="223 1881 718 1904">Range of ambient temperature: 32 .. 104 °F</p> <p data-bbox="223 1915 710 1937">Maximum operating pressure: 145.04 psi</p> <p data-bbox="223 1948 558 1971">Pipe connection: G 2"</p> <p data-bbox="223 1982 662 2004">Pressure stage: PN 10</p> <p data-bbox="223 2016 678 2038">Port-to-port length: 7 1/8 in</p> <p data-bbox="223 2060 391 2083">Electrical data:</p>



Company name:

Created by:

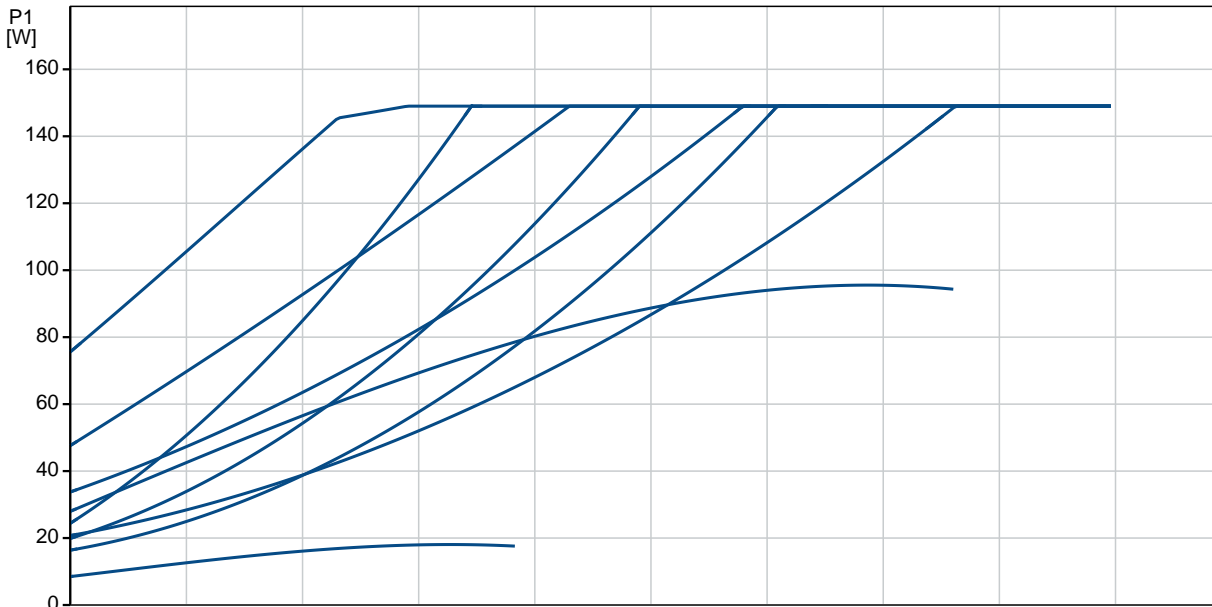
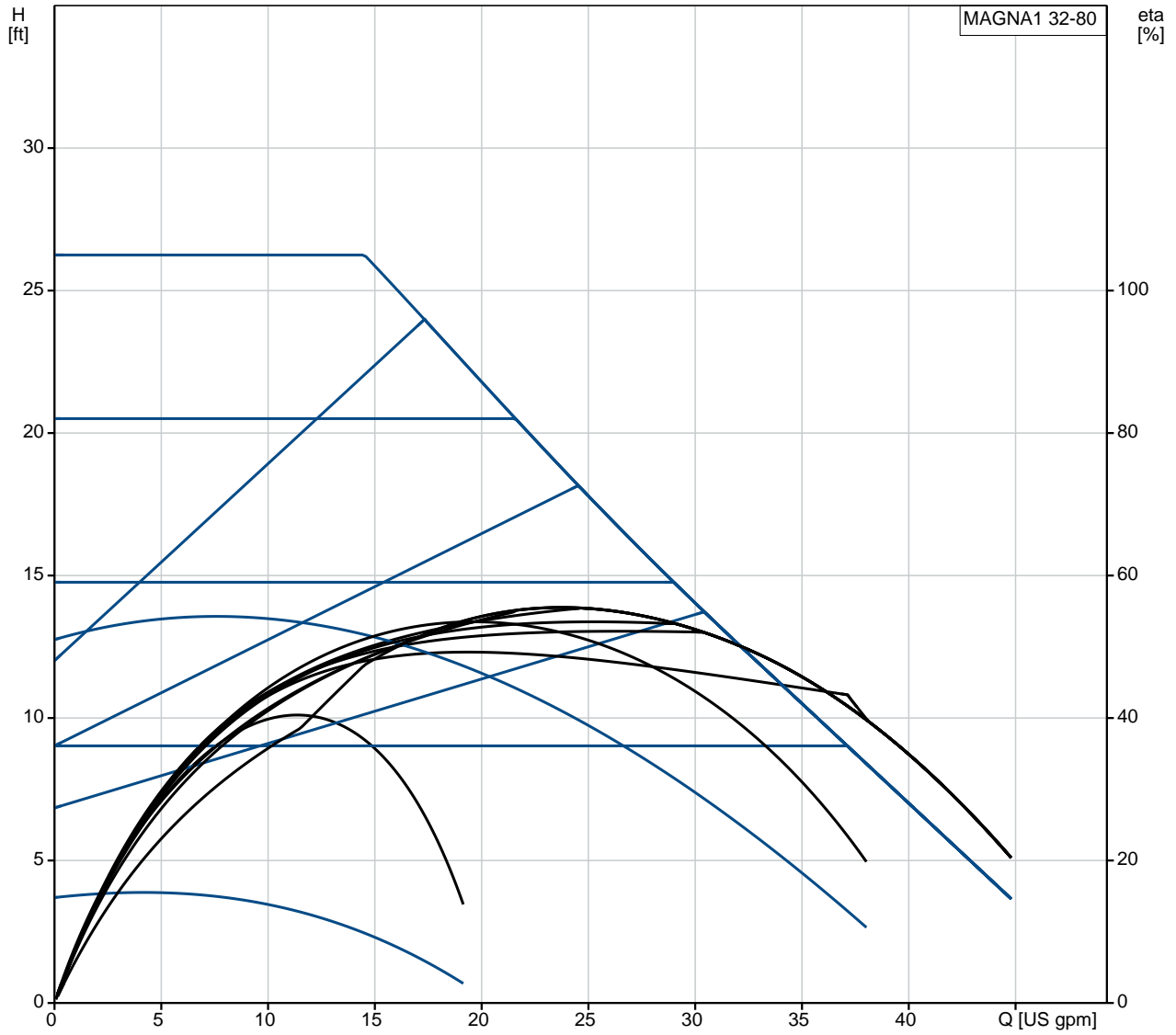
Phone:

Date:

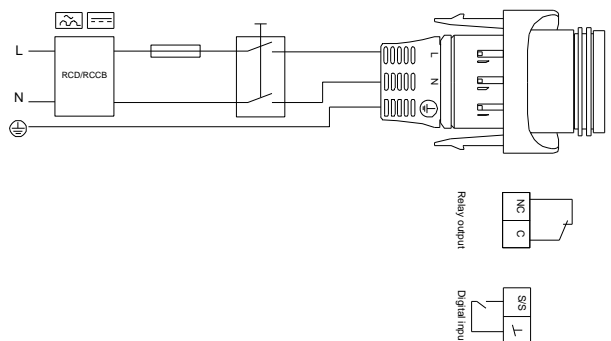
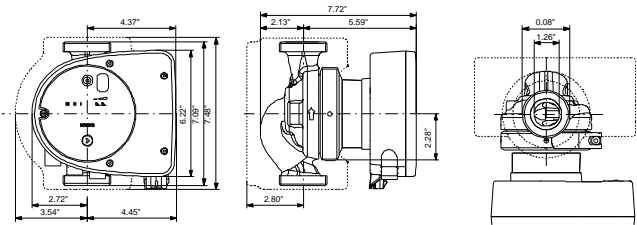
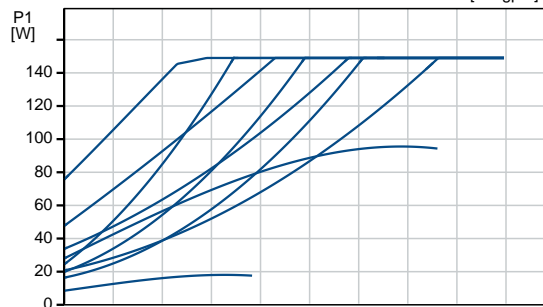
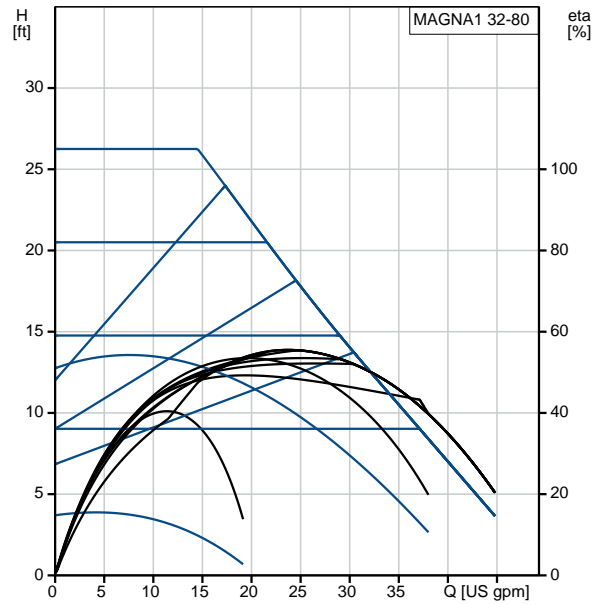
11/11/2020

Count	Description
	Power input - P1: 9 .. 151 W
	Main frequency: 50 / 60 Hz
	Rated voltage: 1 x 230 V
	Maximum current consumption: 0.09 .. 1.22 A
	Enclosure class (IEC 34-5): X4D
	Insulation class (IEC 85): F
	Others:
	Energy (EEI): 0.20
	Net weight: 9.92 lb
	Gross weight: 12.1 lb
	Shipping volume: 0.46 ft <sup>3</sup>
	Finnish LVI No.: 4615306

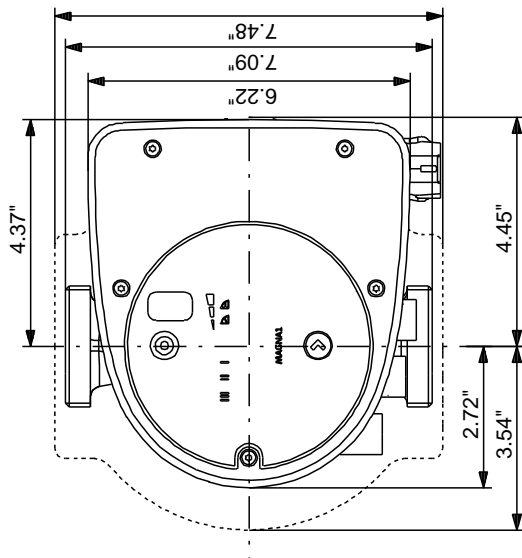
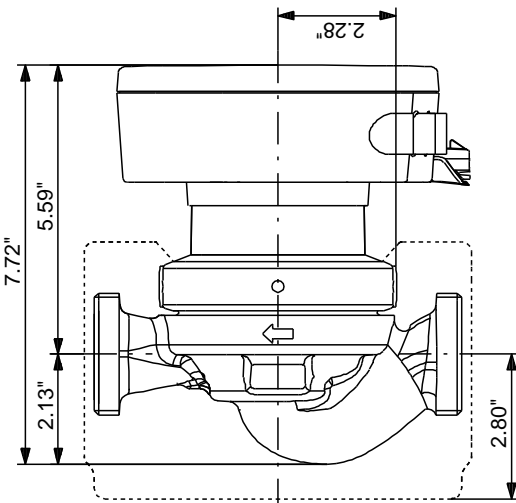
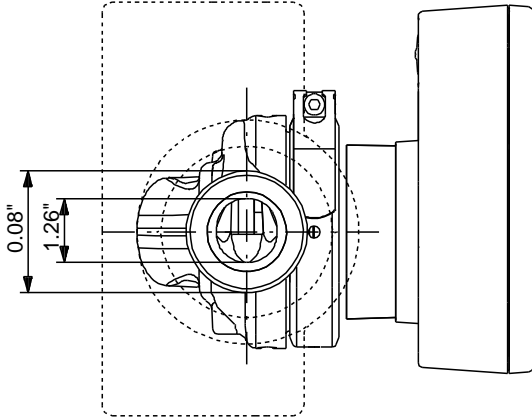
## 99221235 MAGNA1 32-80



Description	Value
<b>General information:</b>	
Product name:	MAGNA1 32-80
Product No.:	99221235
EAN:	5712608942082
<b>Technical:</b>	
Head max:	26.25 ft
TF class:	110
Approvals on nameplate:	CE,VDE,EAC,CN ROHS,WEEE
Model:	C
<b>Materials:</b>	
Pump housing:	Cast iron
Pump housing:	EN-GJL-200
Pump housing:	ASTM A48-200B
Impeller:	PES 30%GF
<b>Installation:</b>	
Range of ambient temperature:	32 .. 104 °F
Maximum operating pressure:	145.04 psi
Pipe connection:	G 2"
Pressure stage:	PN 10
Port-to-port length:	7 1/8 in
<b>Liquid:</b>	
Pumped liquid:	Water
Liquid temperature range:	14 .. 230 °F
Selected liquid temperature:	140 °F
Density:	61.35 lb/ft <sup>3</sup>
<b>Electrical data:</b>	
Power input - P1:	9 .. 151 W
Main frequency:	50 / 60 Hz
Rated voltage:	1 x 230 V
Maximum current consumption:	0.09 .. 1.22 A
Enclosure class (IEC 34-5):	X4D
Insulation class (IEC 85):	F
<b>Others:</b>	
Energy (EEL):	0.20
Net weight:	9.92 lb
Gross weight:	12.1 lb
Shipping volume:	0.46 ft <sup>3</sup>
Finnish LVI No.:	4615306

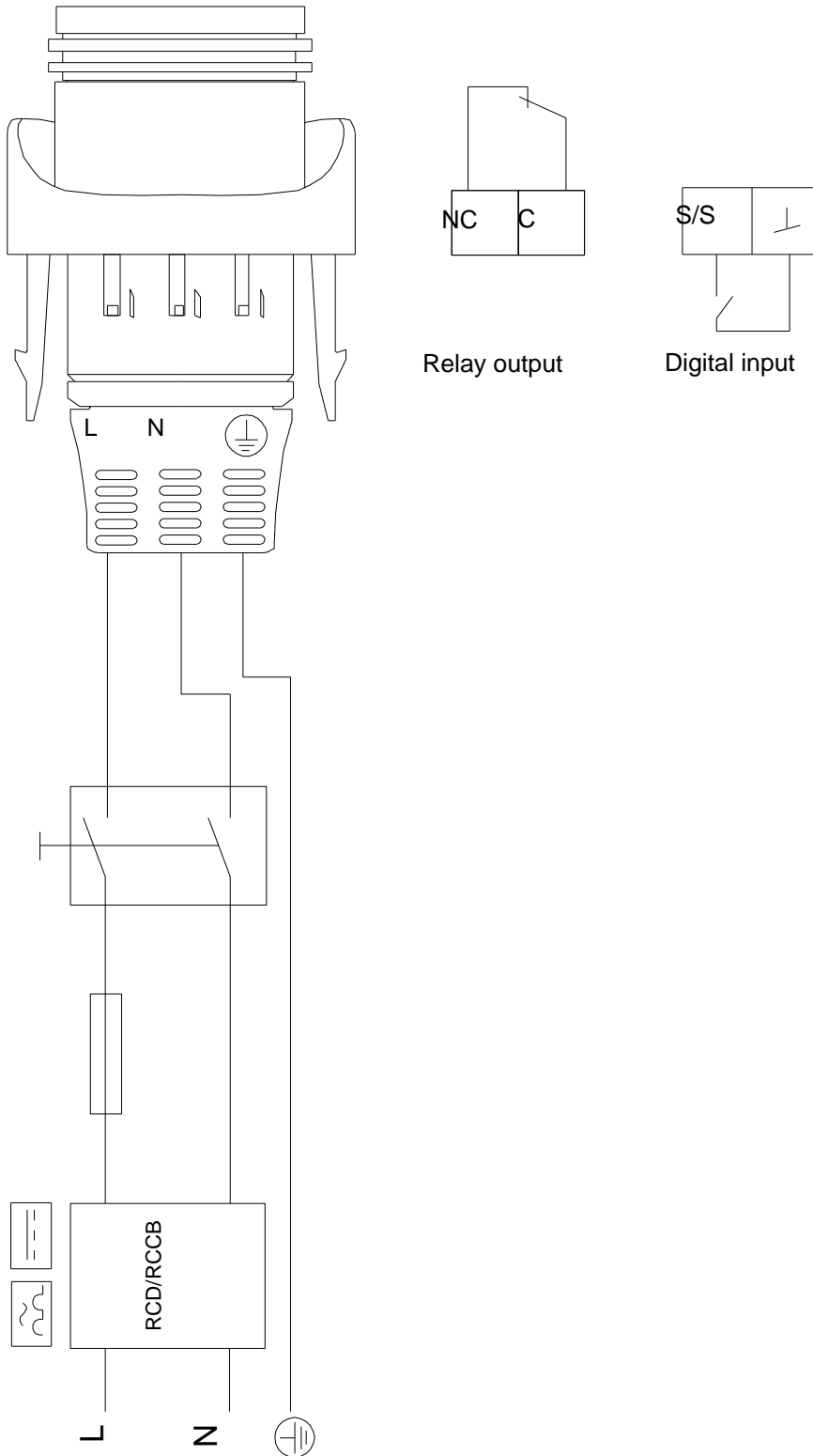


## 99221235 MAGNA1 32-80



Note! All units are in [in] unless otherwise stated.  
 Disclaimer: This simplified dimensional drawing does not show all details.

## 99221235 MAGNA1 32-80



All units are [in] unless otherwise presented.