

Count Description

1 **MAGNA1 40-80 F**



Product photo could vary from the actual product

Product No.: [99221303](#)

The new MAGNA1 is the simple option for a job well done. It is the perfect choice when replacing older circulators and due to its compliance with the EuP 2015 regulations, substantial savings on electricity is a reality. The ideal choice for basic performance needs in applications where basic system control and monitoring is desired.

- Monitoring via the fault relay, ensuring peace of mind
- Digital start/stop input available for remote pump control
- Continuous operation and reduced downtime with the wireless twin pump function (available on twin-head pumps)
- High energy efficiency resulting in substantial savings on electricity
- Easy setup and operation via the simple user interface
- No maintenance due to the canned-rotor type design.

MAGNA1 is the simple and efficient choice for most applications including

- Heating
 - Main pump
 - Mixing loops
 - Heating surfaces
- Cooling
 - Air conditioning surfaces
 - Ground source heat pump systems
 - Smaller chiller applications

Liquid:

Pumped liquid: Water
 Liquid temperature range: -10 .. 110 °C
 Selected liquid temperature: 60 °C
 Density: 983.2 kg/m³

Technical:

TF class: 110
 Approvals on nameplate: CE,VDE,EAC,CN ROHS,WEEE

Materials:

Pump housing: Cast iron
 EN-GJL-250
 ASTM A48-250B
 Impeller: PES 30%GF

Installation:

Range of ambient temperature: 0 .. 40 °C
 Maximum operating pressure: 10 bar
 Flange standard: DIN
 Pipe connection: DN 40
 Pressure stage: PN 6/10
 Port-to-port length: 220 mm

Electrical data:

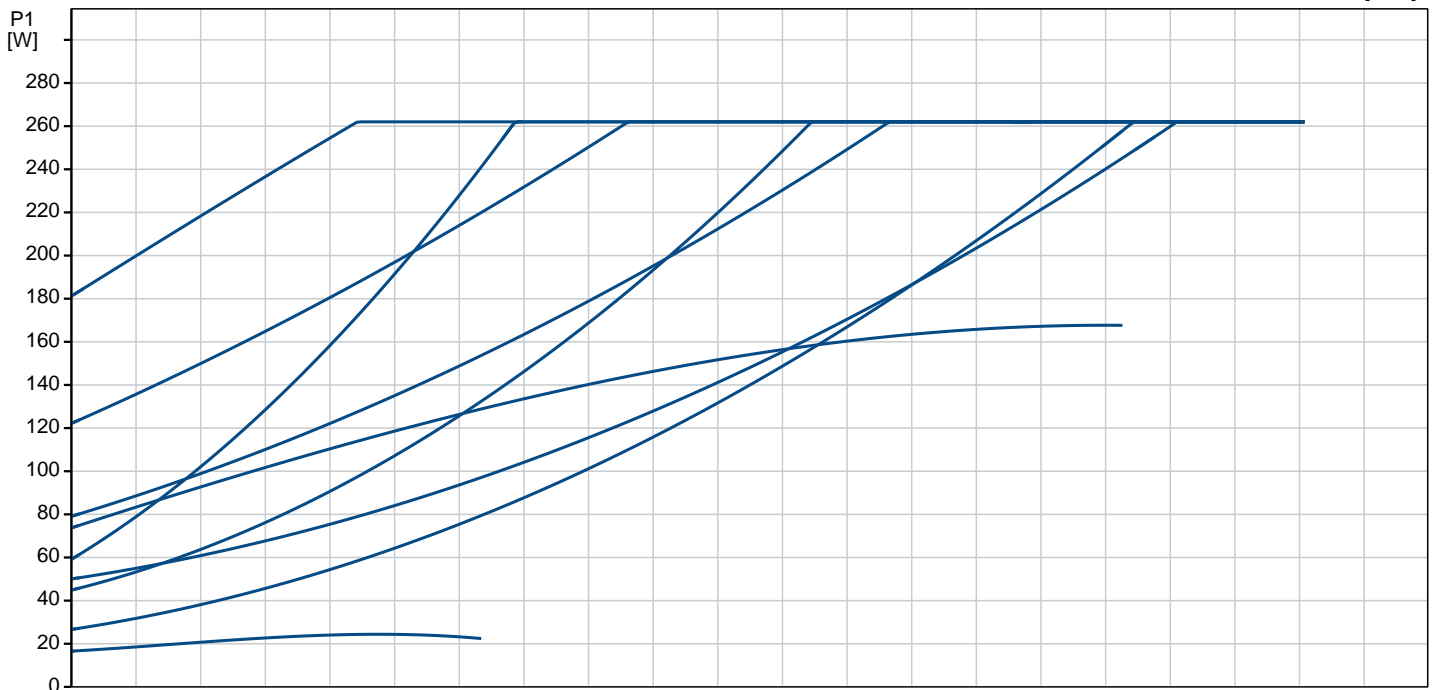
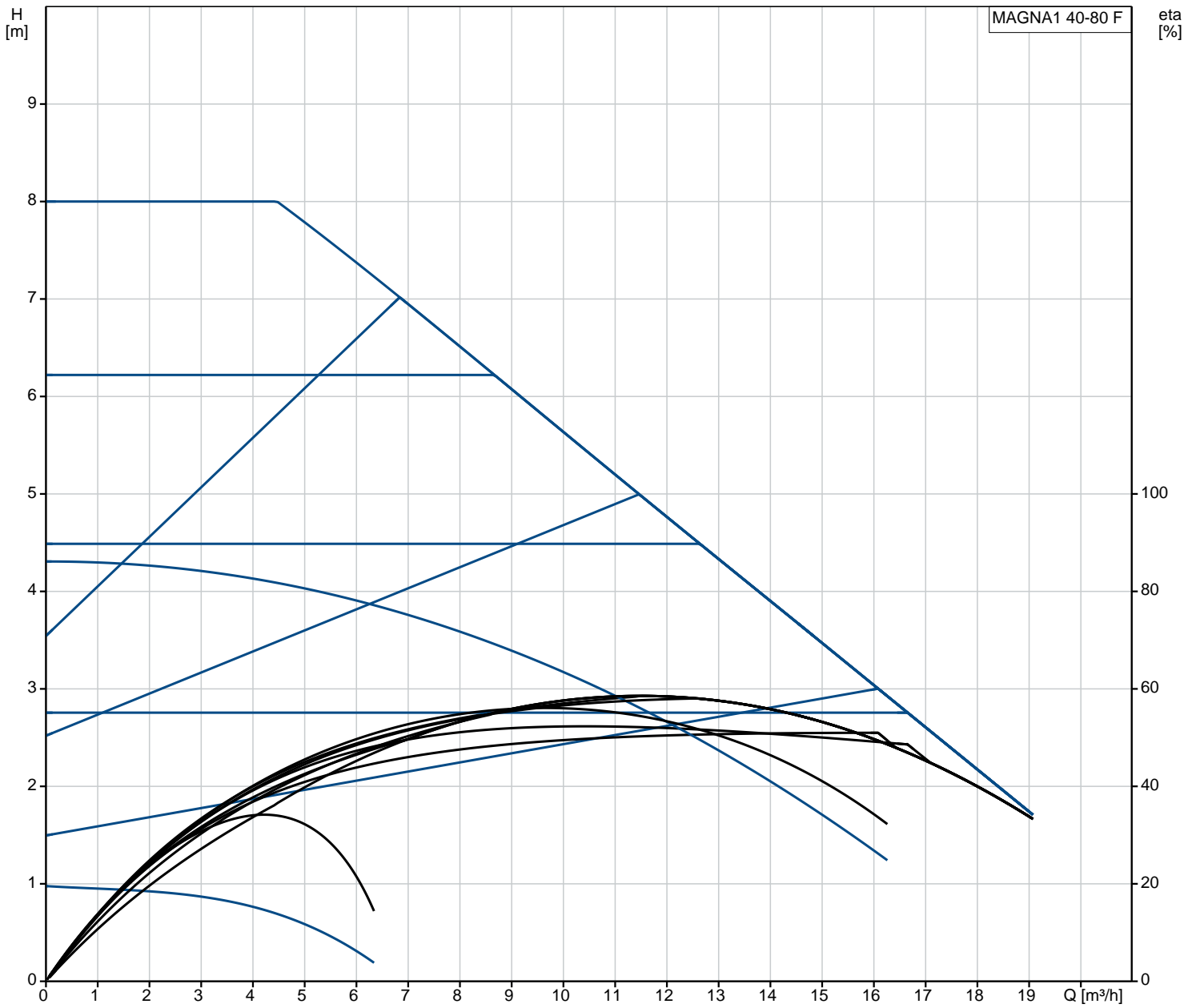
Power input - P1: 17.03 .. 267 W
 Main frequency: 50 / 60 Hz
 Rated voltage: 1 x 230 V
 Maximum current consumption: 0.19 .. 1.18 A
 Enclosure class (IEC 34-5): X4D
 Insulation class (IEC 85): F

Others:

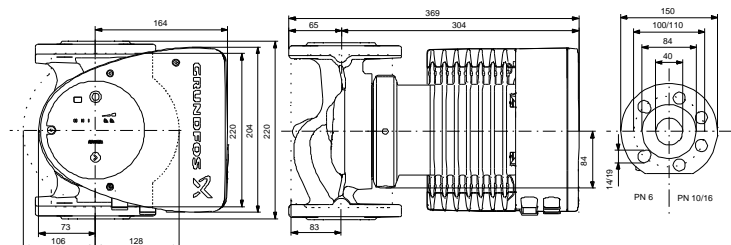
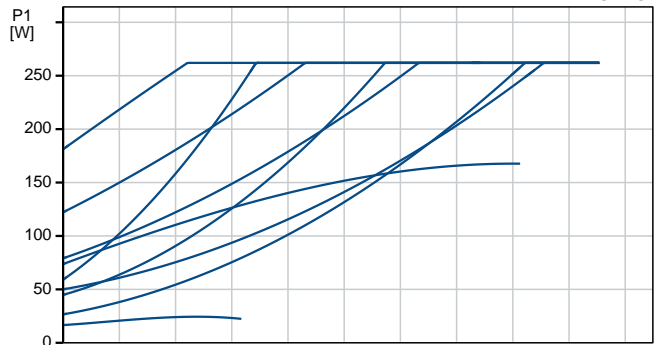
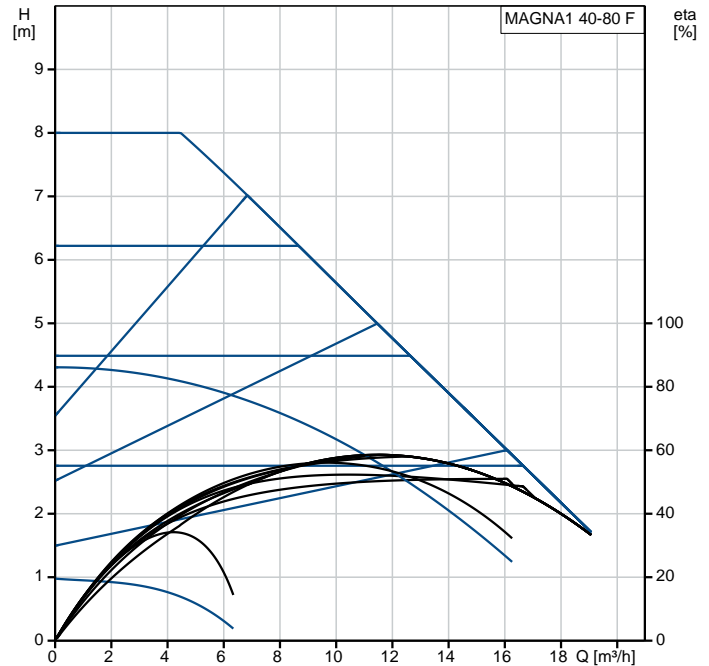
Count	Description
-------	-------------

Energy (EEI):	0.20
Net weight:	16.5 kg
Gross weight:	18.2 kg
Shipping volume:	0.039 m ³
Finnish LVI No.:	4615188
Country of origin:	DE
Custom tariff no.:	84137030

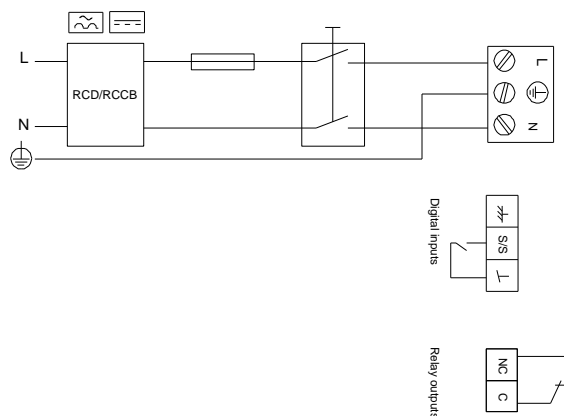
99221303 MAGNA1 40-80 F



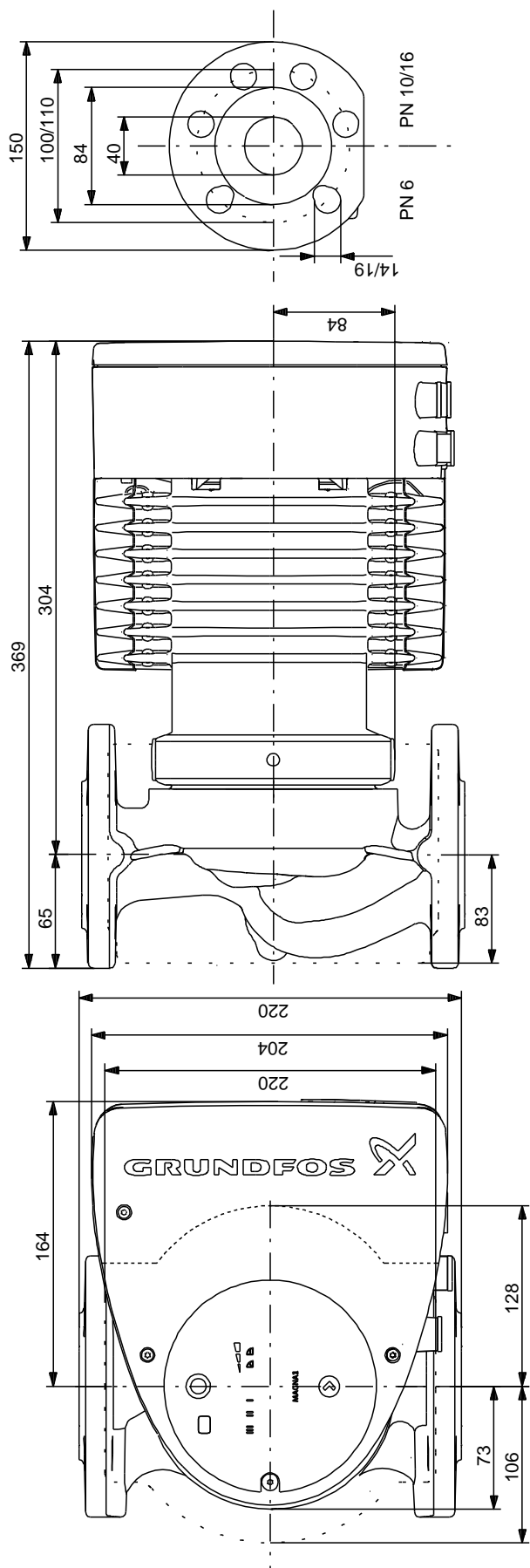
Description	Value
General information:	
Product name:	MAGNA1 40-80 F
Product No.:	99221303
EAN:	5712608942761
Technical:	
Head max:	80 dm
TF class:	110
Approvals on nameplate:	CE,VDE,EAC,CN ROHS,WEEE
Model:	C
Materials:	
Pump housing:	Cast iron
Pump housing:	EN-GJL-250
Pump housing:	ASTM A48-250B
Impeller:	PES 30%GF
Installation:	
Range of ambient temperature:	0 .. 40 °C
Maximum operating pressure:	10 bar
Flange standard:	DIN
Pipe connection:	DN 40
Pressure stage:	PN 6/10
Port-to-port length:	220 mm
Liquid:	
Pumped liquid:	Water
Liquid temperature range:	-10 .. 110 °C
Selected liquid temperature:	60 °C
Density:	983.2 kg/m ³
Electrical data:	
Power input - P1:	17.03 .. 267 W
Main frequency:	50 / 60 Hz
Rated voltage:	1 x 230 V
Maximum current consumption:	0.19 .. 1.18 A
Enclosure class (IEC 34-5):	X4D
Insulation class (IEC 85):	F
Others:	
Energy (EEI):	0.20
Net weight:	16.5 kg
Gross weight:	18.2 kg
Shipping volume:	0.039 m ³
Finnish LVI No.:	4615188
Country of origin:	DE
Custom tariff no.:	84137030



Example of mains-connected motor with mains switch, backup fuse and additional protection

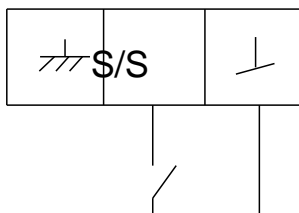
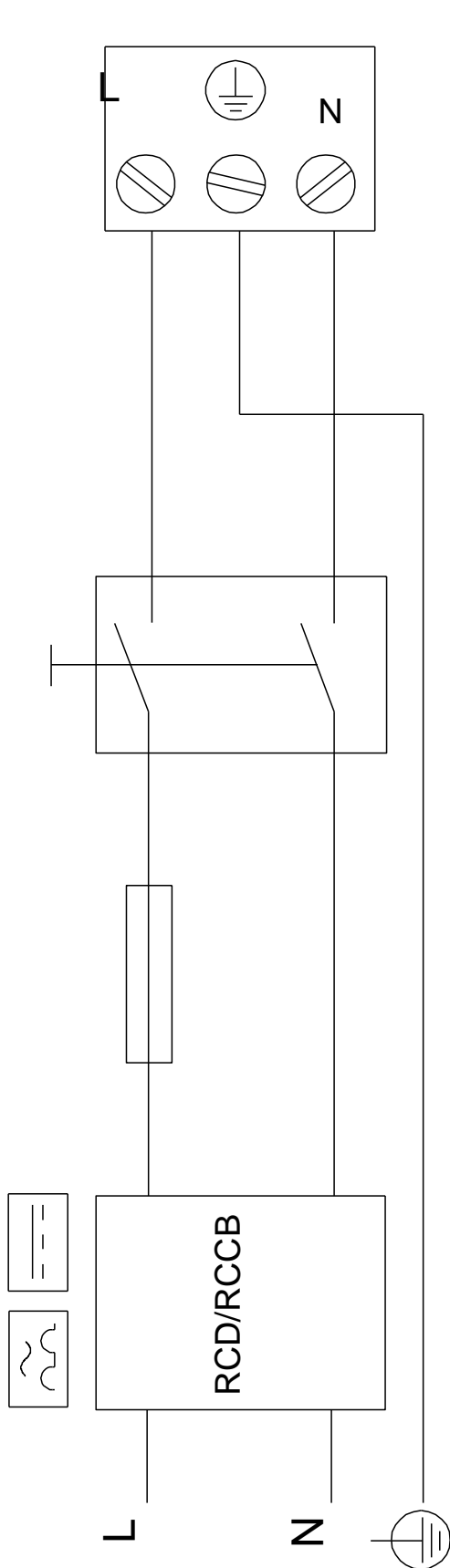


99221303 MAGNA1 40-80 F

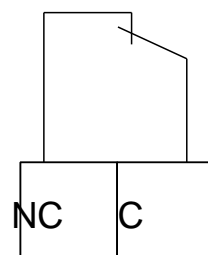


99221303 MAGNA1 40-80 F

Example of mains-connected motor with mains switch, backup fuse and additional protection



Digital inputs



Relay outputs