

**Qty. Description**

1 **MAGNA1 65-60 F**



**Note! Product picture may differ from actual product**

Product No.: [99221371](#)

The new MAGNA1 is the simple option for a job well done. It is the perfect choice when replacing older circulators and due to its compliance with the EuP 2015 regulations, substantial savings on electricity is a reality. The ideal choice for basic performance needs in applications where basic system control and monitoring is desired.

- Monitoring via the fault relay, ensuring peace of mind
- Digital start/stop input available for remote pump control
- Continuous operation and reduced downtime with the wireless twin pump function (available on twin-head pumps)
- High energy efficiency resulting in substantial savings on electricity
- Easy setup and operation via the simple user interface
- No maintenance due to the canned-rotor type design.

MAGNA1 is the simple and efficient choice for most applications including

- Heating
  - Main pump
  - Mixing loops
  - Heating surfaces
- Cooling
  - Air conditioning surfaces
  - Ground source heat pump systems
  - Smaller chiller applications

**Liquid:**

Pumped liquid: Water  
 Liquid temperature range: -10 .. 110 °C  
 Selected liquid temperature: 60 °C  
 Density: 983.2 kg/m<sup>3</sup>

**Technical:**

TF class: 110  
 Approvals on nameplate: CE,VDE,EAC,CN ROHS,WEEE

**Materials:**

Pump housing: Cast iron  
 EN-GJL-250  
 ASTM A48-250B  
 Impeller: PES 30%GF

**Installation:**

Range of ambient temperature: 0 .. 40 °C  
 Maximum operating pressure: 10 bar  
 Flange standard: DIN  
 Pipe connection: DN 65  
 Pressure rating: PN 6/10  
 Port-to-port length: 340 mm

**Electrical data:**

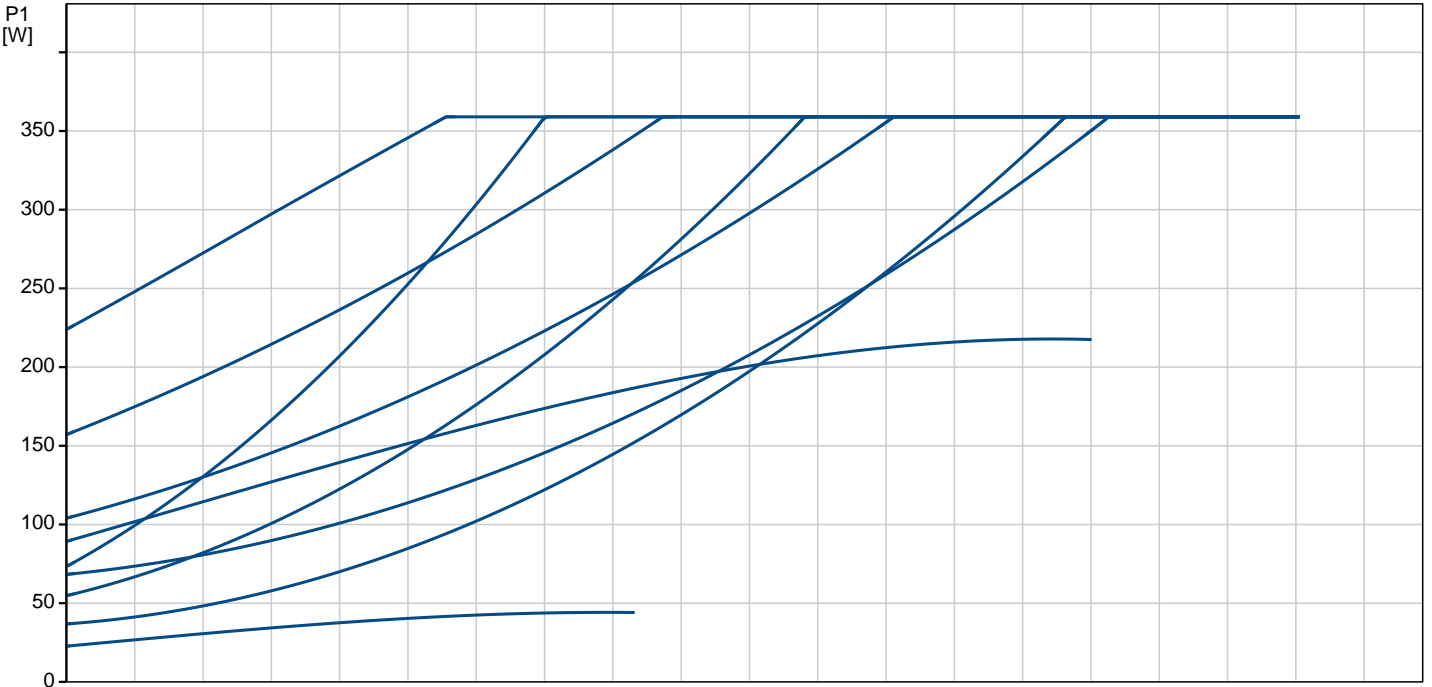
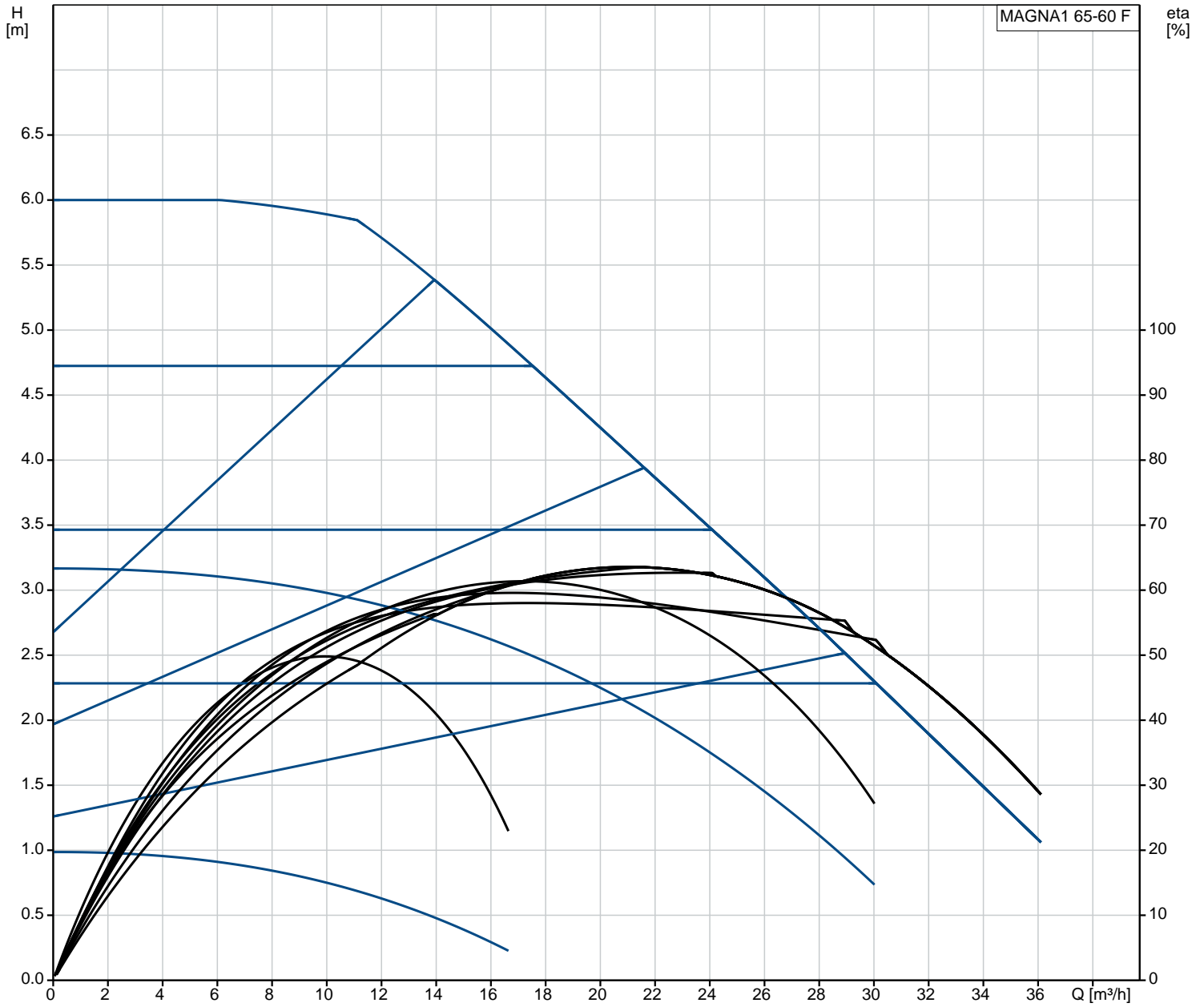
Power input - P1: 23.15 .. 365 W  
 Mains frequency: 50 / 60 Hz  
 Rated voltage: 1 x 230 V  
 Maximum current consumption: 0.24 .. 1.64 A  
 Enclosure class (IEC 34-5): X4D  
 Insulation class (IEC 85): F

**Others:**

Qty.	Description
------	-------------

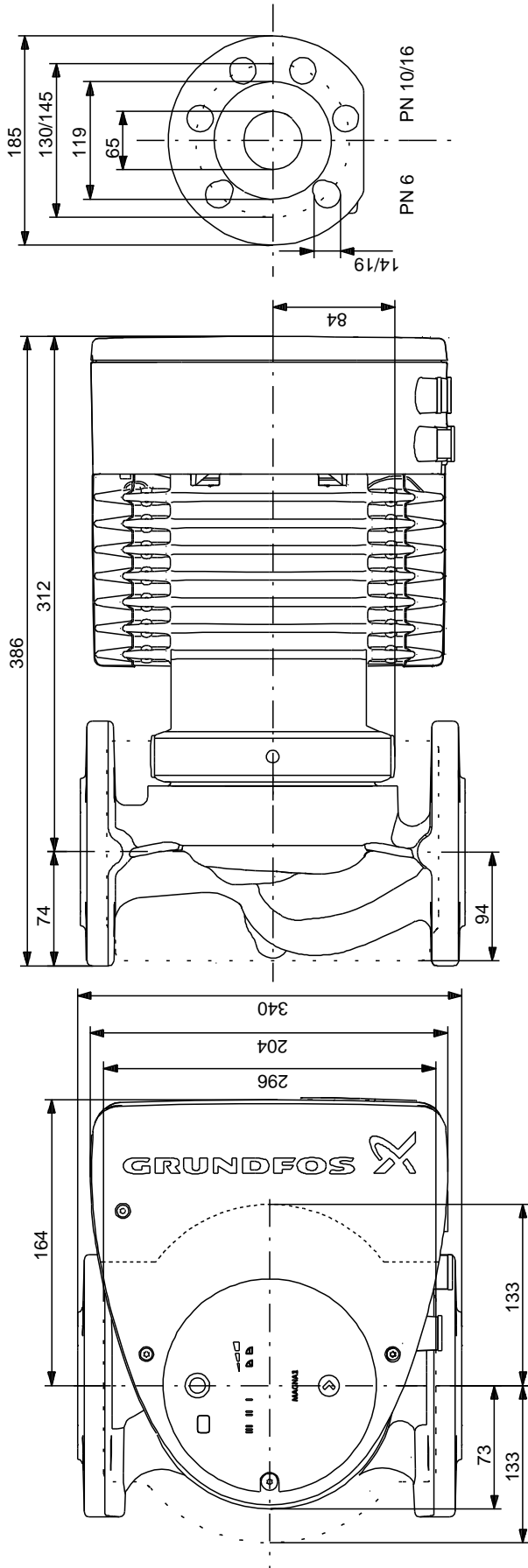
Energy (EEI):	0.20
Net weight:	20.9 kg
Gross weight:	22.8 kg
Shipping volume:	0.057 m <sup>3</sup>
Finnish LVI No.:	4615199
Country of origin:	DE
Custom tariff no.:	84137030

## 99221371 MAGNA1 65-60 F



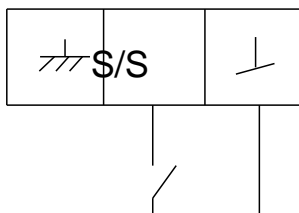
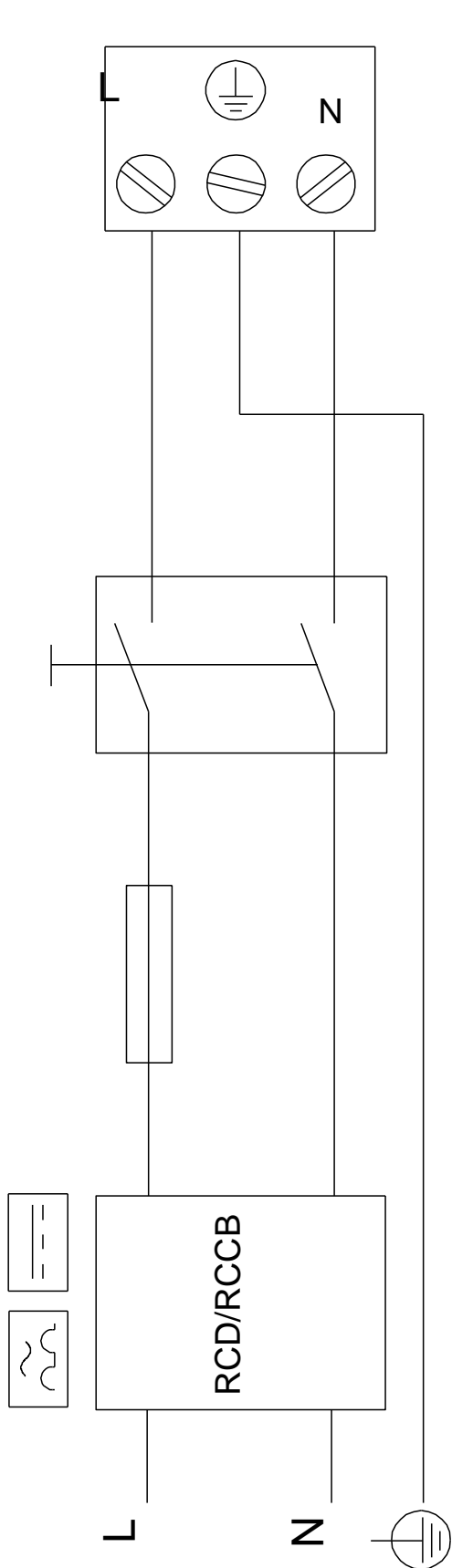


## 99221371 MAGNA1 65-60 F

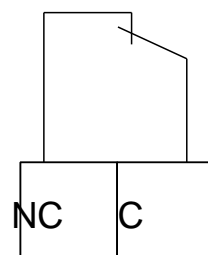


## 99221371 MAGNA1 65-60 F

Example of mains-connected motor with mains switch, backup fuse and additional protection



Digital inputs



Relay outputs