

Qty. Description

1 **MAGNA1 65-150 F**



Note! Product picture may differ from actual product

Product No.: [99221375](#)

The new MAGNA1 is the simple option for a job well done. It is the perfect choice when replacing older circulators and due to its compliance with the EuP 2015 regulations, substantial savings on electricity is a reality. The ideal choice for basic performance needs in applications where basic system control and monitoring is desired.

- Monitoring via the fault relay, ensuring peace of mind
- Digital start/stop input available for remote pump control
- Continuous operation and reduced downtime with the wireless twin pump function (available on twin-head pumps)
- High energy efficiency resulting in substantial savings on electricity
- Easy setup and operation via the simple user interface
- No maintenance due to the canned-rotor type design.

MAGNA1 is the simple and efficient choice for most applications including

- Heating
 - Main pump
 - Mixing loops
 - Heating surfaces
- Cooling
 - Air conditioning surfaces
 - Ground source heat pump systems
 - Smaller chiller applications

Liquid:

Pumped liquid: Water
 Liquid temperature range: -10 .. 110 °C
 Selected liquid temperature: 60 °C
 Density: 983.2 kg/m³

Technical:

TF class: 110
 Approvals on nameplate: CE, VDE, EAC, CN ROHS, WEEE

Materials:

Pump housing: Cast iron
 EN-GJL-250
 ASTM A48-250B
 Impeller: PES 30%GF

Installation:

Range of ambient temperature: 0 .. 40 °C
 Maximum operating pressure: 10 bar
 Flange standard: DIN
 Pipe connection: DN 65
 Pressure rating: PN 6/10
 Port-to-port length: 340 mm

Electrical data:

Power input - P1: 30.7 .. 1263 W
 Mains frequency: 50 / 60 Hz
 Rated voltage: 1 x 230 V
 Maximum current consumption: 0.31 .. 5.53 A
 Enclosure class (IEC 34-5): X4D
 Insulation class (IEC 85): F

Others:



Company name:

Created by:

Phone:

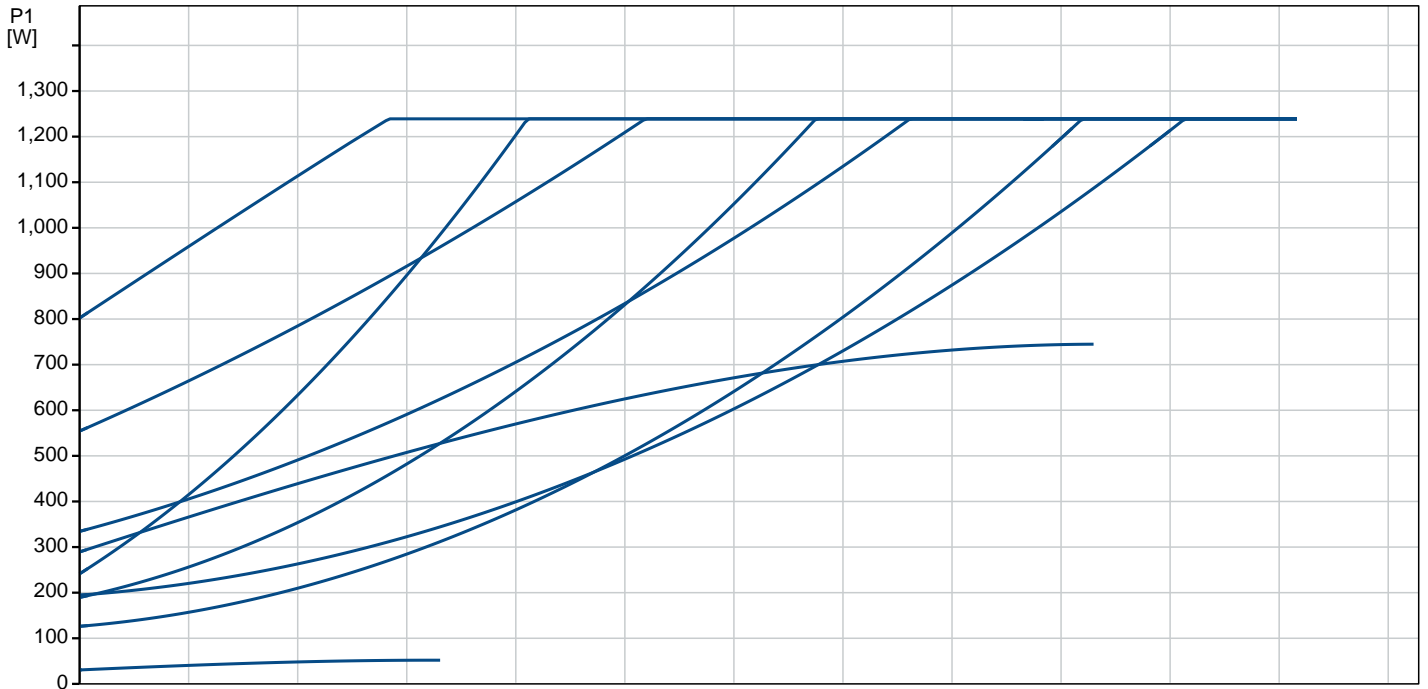
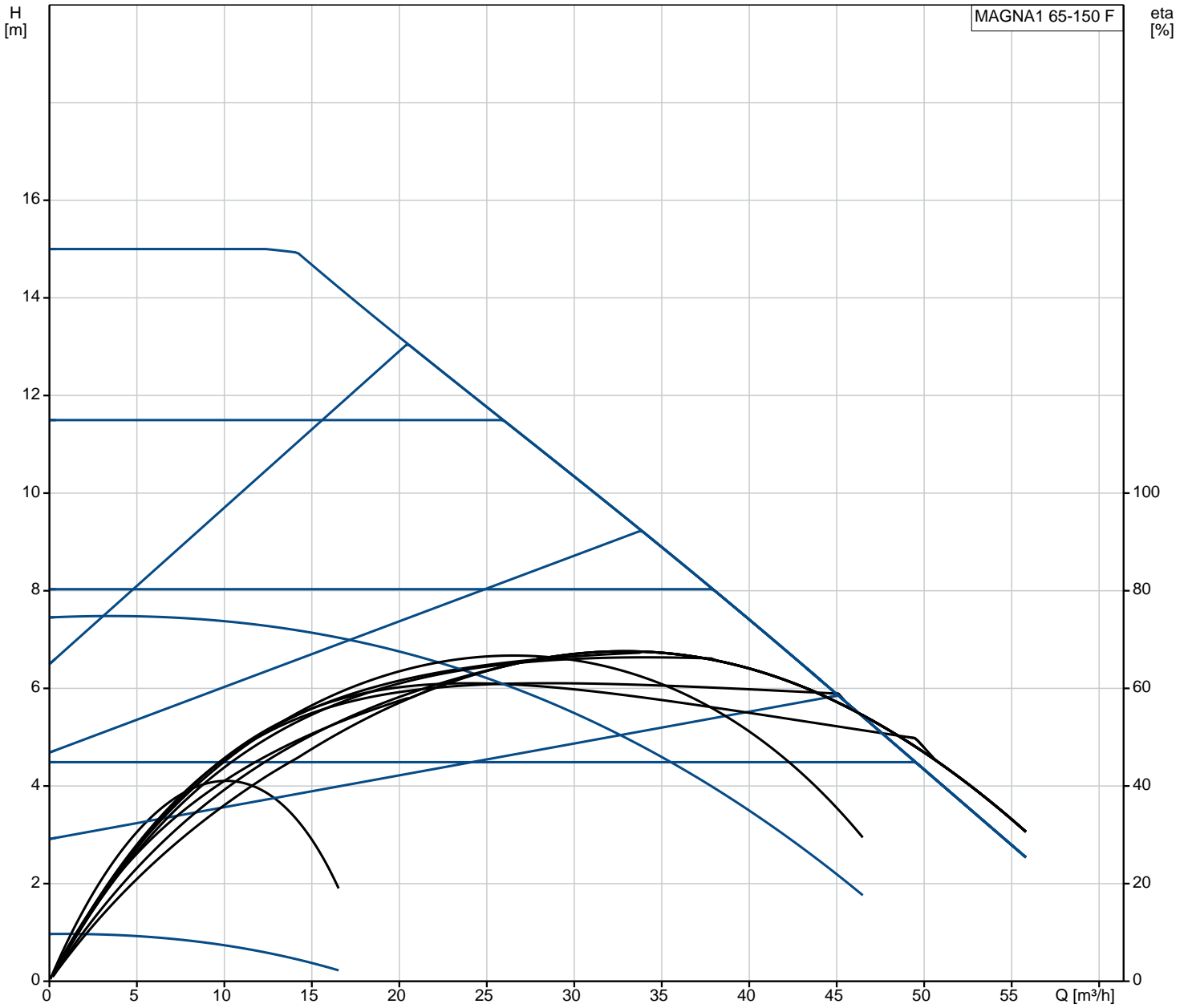
Date:

12/11/2020

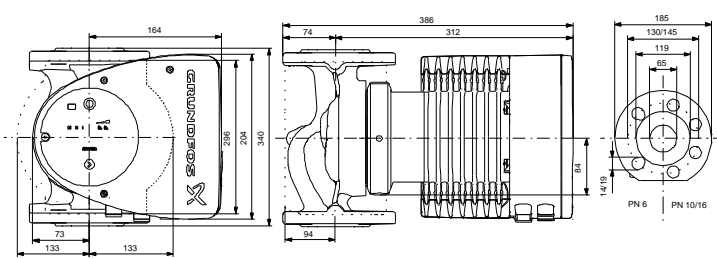
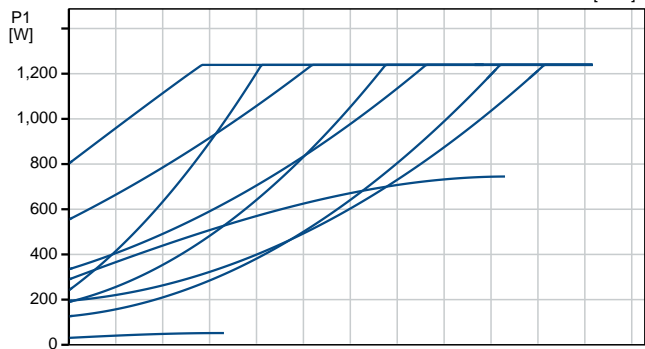
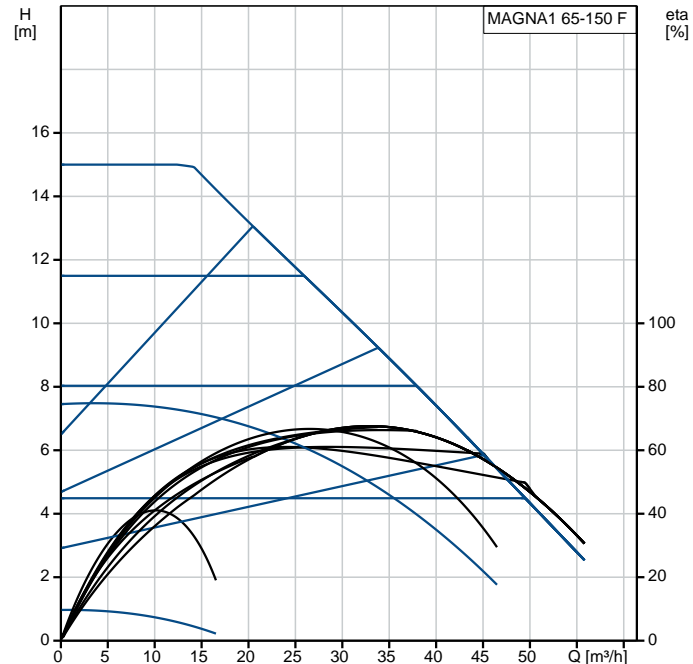
Qty. | Description

Energy (EEI):	0.18
Net weight:	24.9 kg
Gross weight:	26.8 kg
Shipping volume:	0.057 m ³
Finnish LVI No.:	4615215
Country of origin:	DE
Custom tariff no.:	84137030

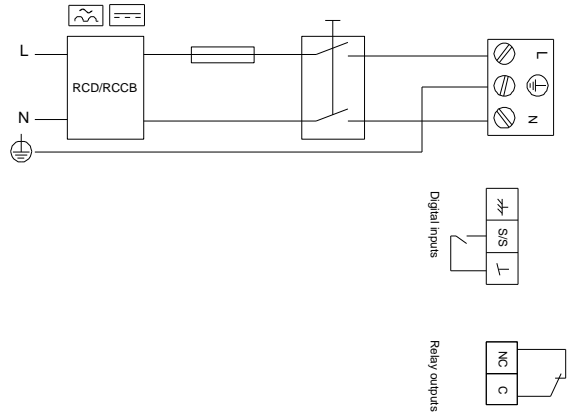
99221375 MAGNA1 65-150 F



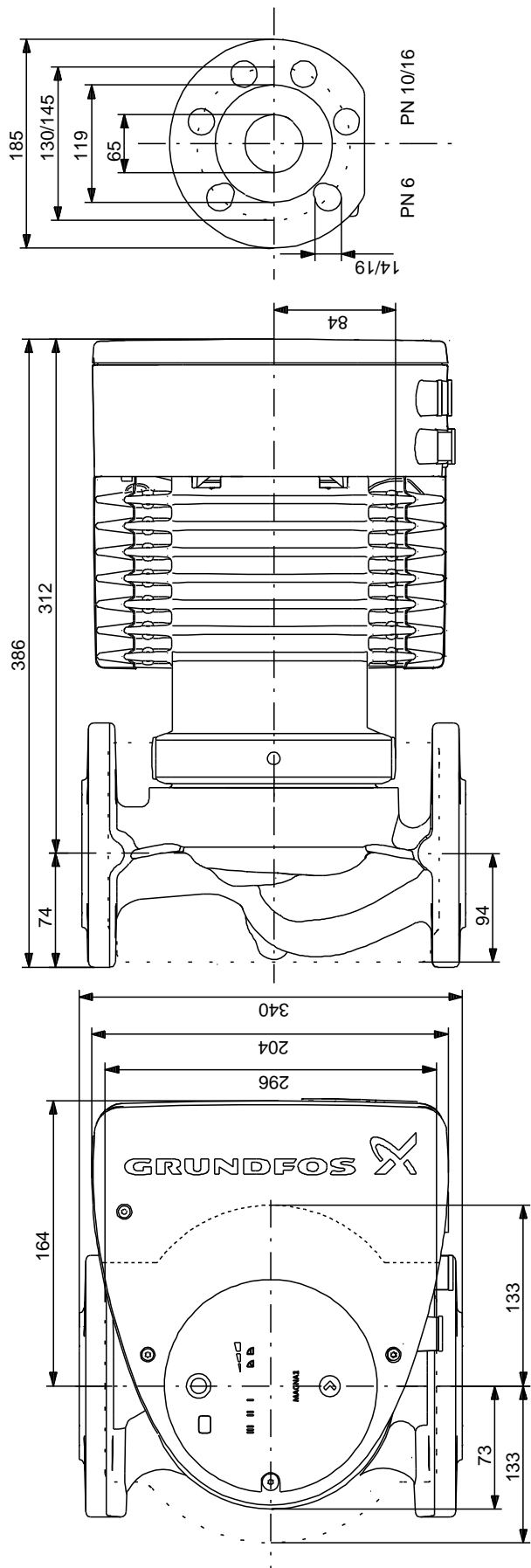
Description	Value
General information:	
Product name:	MAGNA1 65-150 F
Product No:	99221375
EAN number:	5712608943478
Technical:	
Head max:	150 dm
TF class:	110
Approvals on nameplate:	CE,VDE,EAC,CN ROHS,WEEE
Model:	C
Materials:	
Pump housing:	Cast iron
Pump housing:	EN-GJL-250
Pump housing:	ASTM A48-250B
Impeller:	PES 30%GF
Installation:	
Range of ambient temperature:	0 .. 40 °C
Maximum operating pressure:	10 bar
Flange standard:	DIN
Pipe connection:	DN 65
Pressure rating:	PN 6/10
Port-to-port length:	340 mm
Liquid:	
Pumped liquid:	Water
Liquid temperature range:	-10 .. 110 °C
Selected liquid temperature:	60 °C
Density:	983.2 kg/m ³
Electrical data:	
Power input - P1:	30.7 .. 1263 W
Mains frequency:	50 / 60 Hz
Rated voltage:	1 x 230 V
Maximum current consumption:	0.31 .. 5.53 A
Enclosure class (IEC 34-5):	X4D
Insulation class (IEC 85):	F
Others:	
Energy (EEI):	0.18
Net weight:	24.9 kg
Gross weight:	26.8 kg
Shipping volume:	0.057 m ³
Finnish LVI No.:	4615215
Country of origin:	DE
Custom tariff no.:	84137030



Example of mains-connected motor with mains switch, backup fuse and additional protection

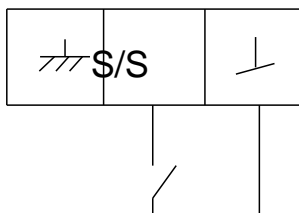
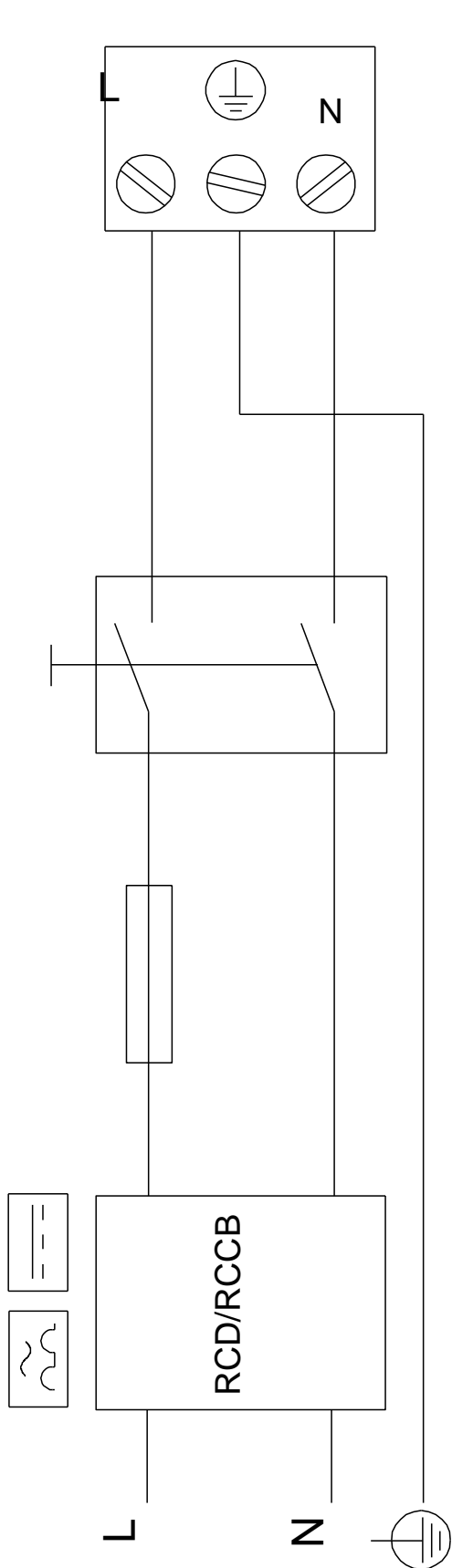


99221375 MAGNA1 65-150 F

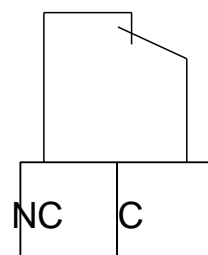


99221375 MAGNA1 65-150 F

Example of mains-connected motor with mains switch, backup fuse and additional protection



Digital inputs



Relay outputs