

**Qty. Description**

1 **MAGNA1 25-40 N**

**NEW MAGNA1**



**Note! Product picture may differ from actual product**

Product No.: [99221223](#)

The new MAGNA1 is the simple option for a job well done. It is the perfect choice when replacing older circulators and due to its compliance with the EuP 2015 regulations, substantial savings on electricity is a reality. The ideal choice for basic performance needs in applications where basic system control and monitoring is desired.

- Monitoring via the fault relay, ensuring peace of mind
- Digital start/stop input available for remote pump control
- Continuous operation and reduced downtime with the wireless twin pump function (available on twin-head pumps)
- High energy efficiency resulting in substantial savings on electricity
- Easy setup and operation via the simple user interface
- No maintenance due to the canned-rotor type design.

MAGNA1 is the simple and efficient choice for most applications including

- Heating
  - Main pump
  - Mixing loops
  - Heating surfaces
- Cooling
  - Air conditioning surfaces
  - Ground source heat pump systems
  - Smaller chiller applications

**Liquid:**

Pumped liquid: Water  
 Liquid temperature range: -10 .. 110 °C  
 Selected liquid temperature: 60 °C  
 Density: 983.2 kg/m<sup>3</sup>

**Technical:**

TF class: 110  
 Approvals on nameplate: CE,VDE,EAC,CN ROHS,WEEE

**Materials:**

Pump housing: Stainless steel  
 EN 1.4308  
 ASTM 351 CF8  
 Impeller: PES 30%GF

**Installation:**

Range of ambient temperature: 0 .. 40 °C  
 Maximum operating pressure: 10 bar  
 Pipe connection: G 1 1/2"  
 Pressure rating: PN 10  
 Port-to-port length: 180 mm

**Electrical data:**



**Company name:** Anchor Pumps Company Limited

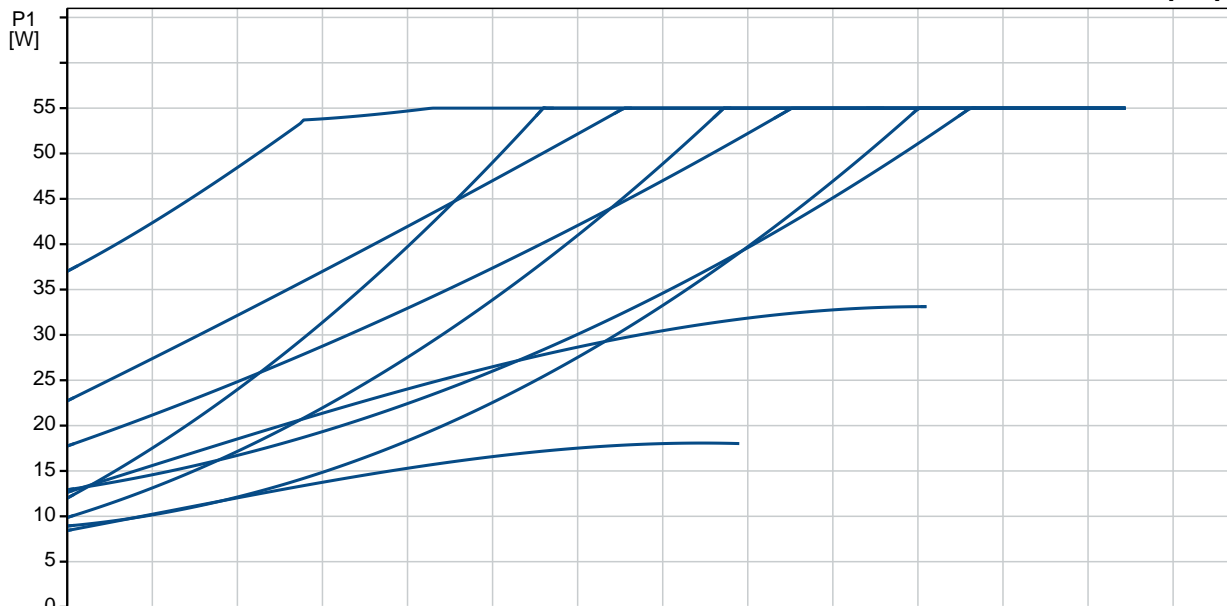
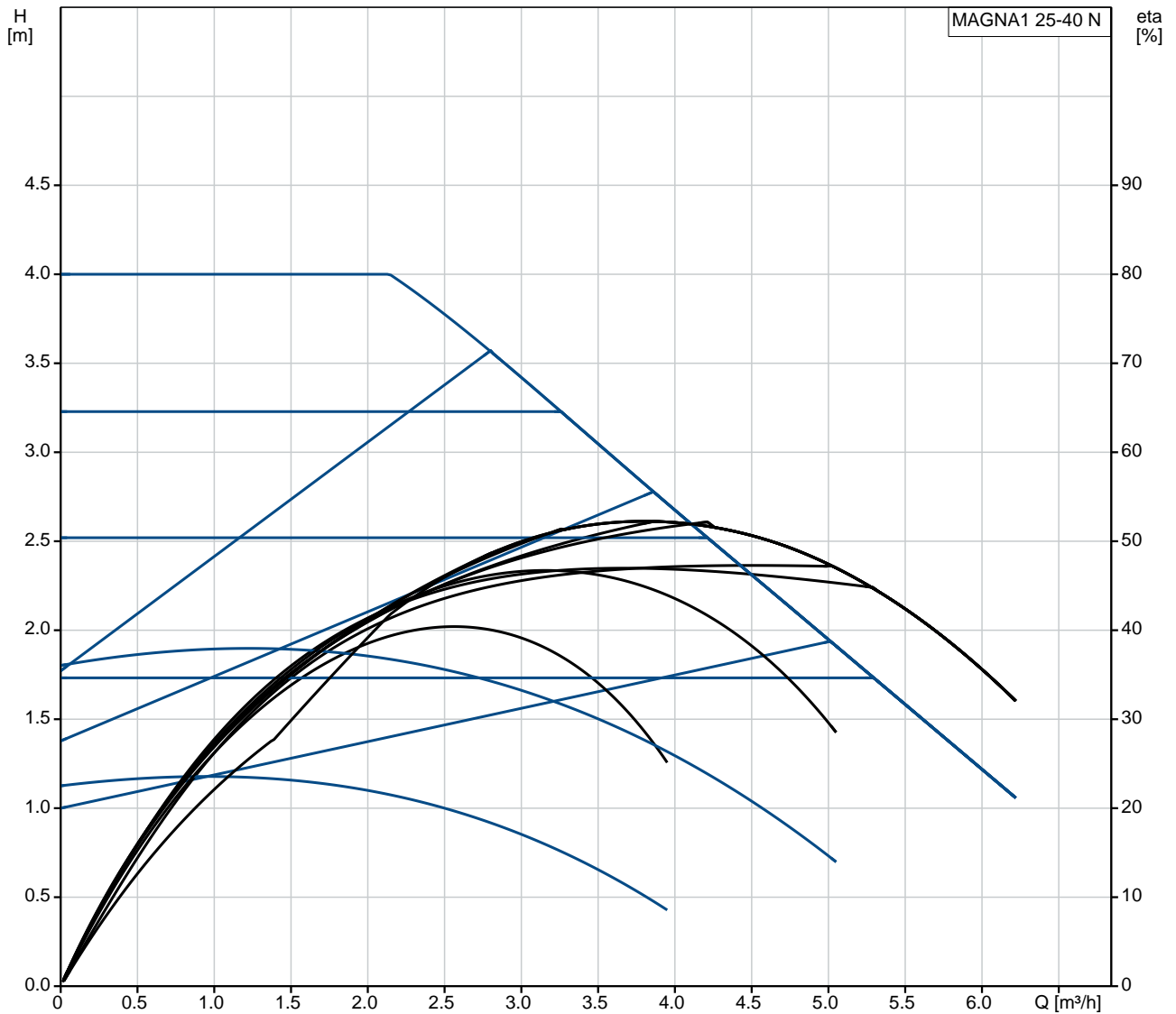
**Created by:**

**Phone:**

**Date:** 17/11/2020

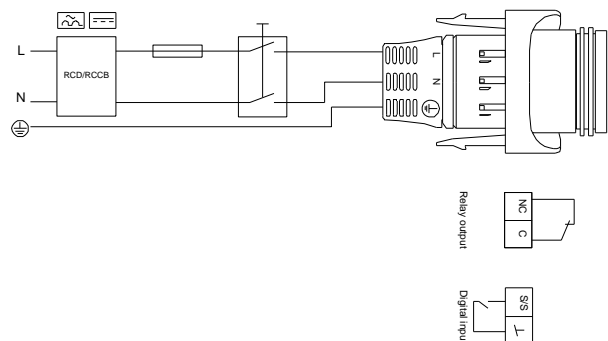
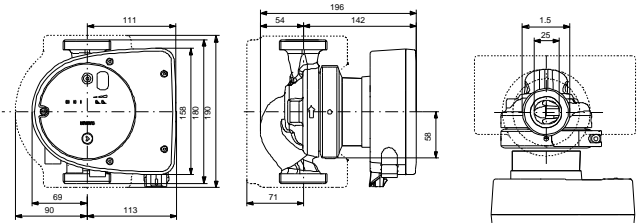
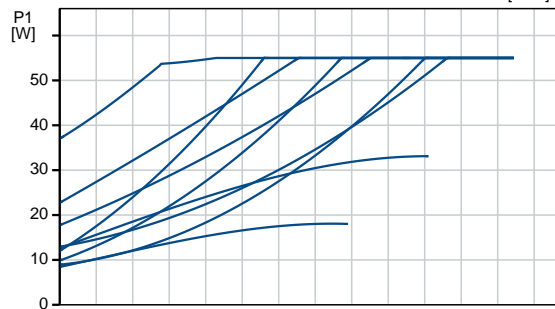
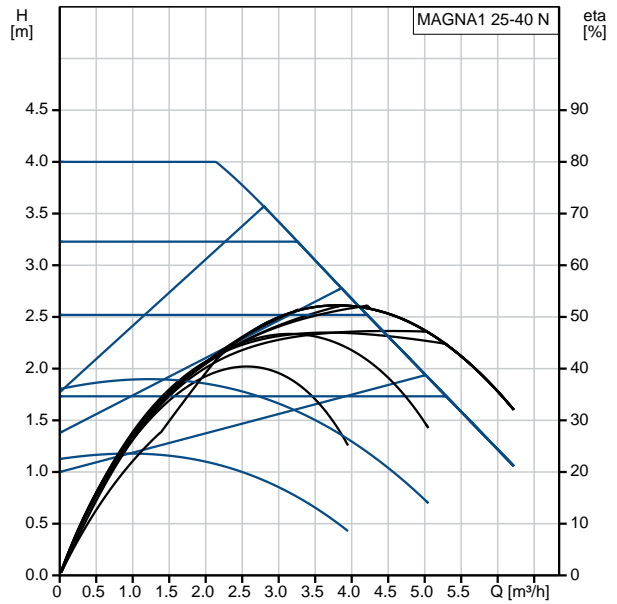
Qty.	Description
	<p>Power input - P1: 9 .. 56 W Mains frequency: 50 / 60 Hz Rated voltage: 1 x 230 V Maximum current consumption: 0.09 .. 0.45 A Enclosure class (IEC 34-5): X4D Insulation class (IEC 85): F</p> <p>Others: Energy (EEI): 0.20 Net weight: 4.5 kg Gross weight: 5 kg Shipping volume: 0.013 m<sup>3</sup> Finnish LVI No.: 4615299 Country of origin: DE Custom tariff no.: 84137030</p>

## 99221223 MAGNA1 25-40 N

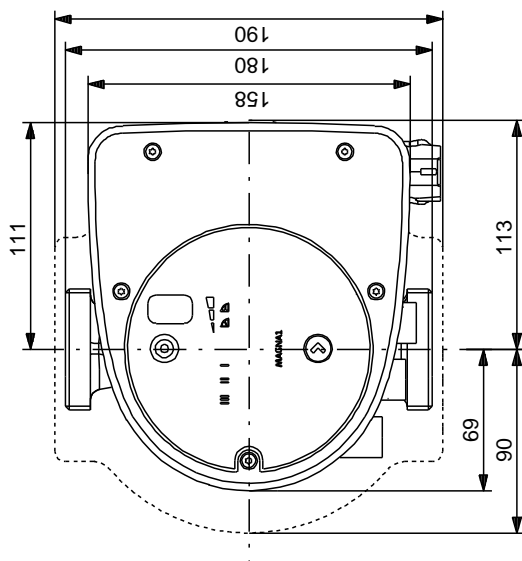
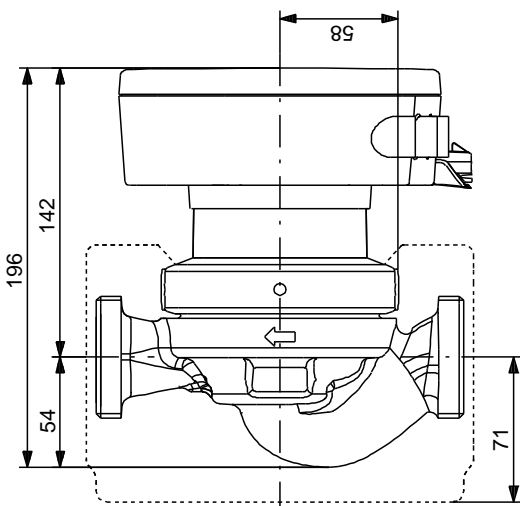
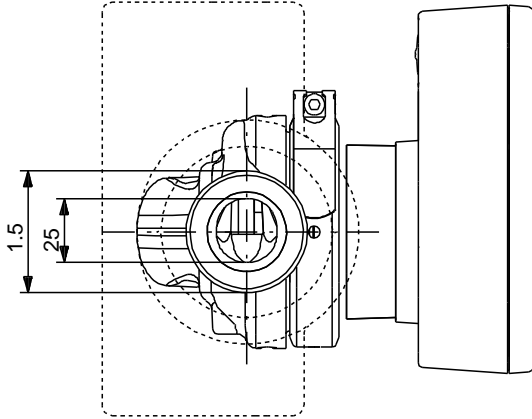


**Date:** 17/11/2020

Description	Value
<b>General information:</b>	
Product name:	MAGNA1 25-40 N
Product No:	99221223
EAN number:	5712608941962
<b>Technical:</b>	
Head max:	40 dm
TF class:	110
Approvals on nameplate:	CE,VDE,EAC,CN ROHS,WEEE
Model:	C
<b>Materials:</b>	
Pump housing:	Stainless steel
Pump housing:	EN 1.4308
Pump housing:	ASTM 351 CF8
Impeller:	PES 30%GF
<b>Installation:</b>	
Range of ambient temperature:	0 .. 40 °C
Maximum operating pressure:	10 bar
Pipe connection:	G 1 1/2"
Pressure rating:	PN 10
Port-to-port length:	180 mm
<b>Liquid:</b>	
Pumped liquid:	Water
Liquid temperature range:	-10 .. 110 °C
Selected liquid temperature:	60 °C
Density:	983.2 kg/m <sup>3</sup>
<b>Electrical data:</b>	
Power input - P1:	9 .. 56 W
Mains frequency:	50 / 60 Hz
Rated voltage:	1 x 230 V
Maximum current consumption:	0.09 .. 0.45 A
Enclosure class (IEC 34-5):	X4D
Insulation class (IEC 85):	F
<b>Others:</b>	
Energy (EEL):	0.20
Net weight:	4.5 kg
Gross weight:	5 kg
Shipping volume:	0.013 m <sup>3</sup>
Finnish LVI No.:	4615299
Country of origin:	DE
Custom tariff no.:	84137030

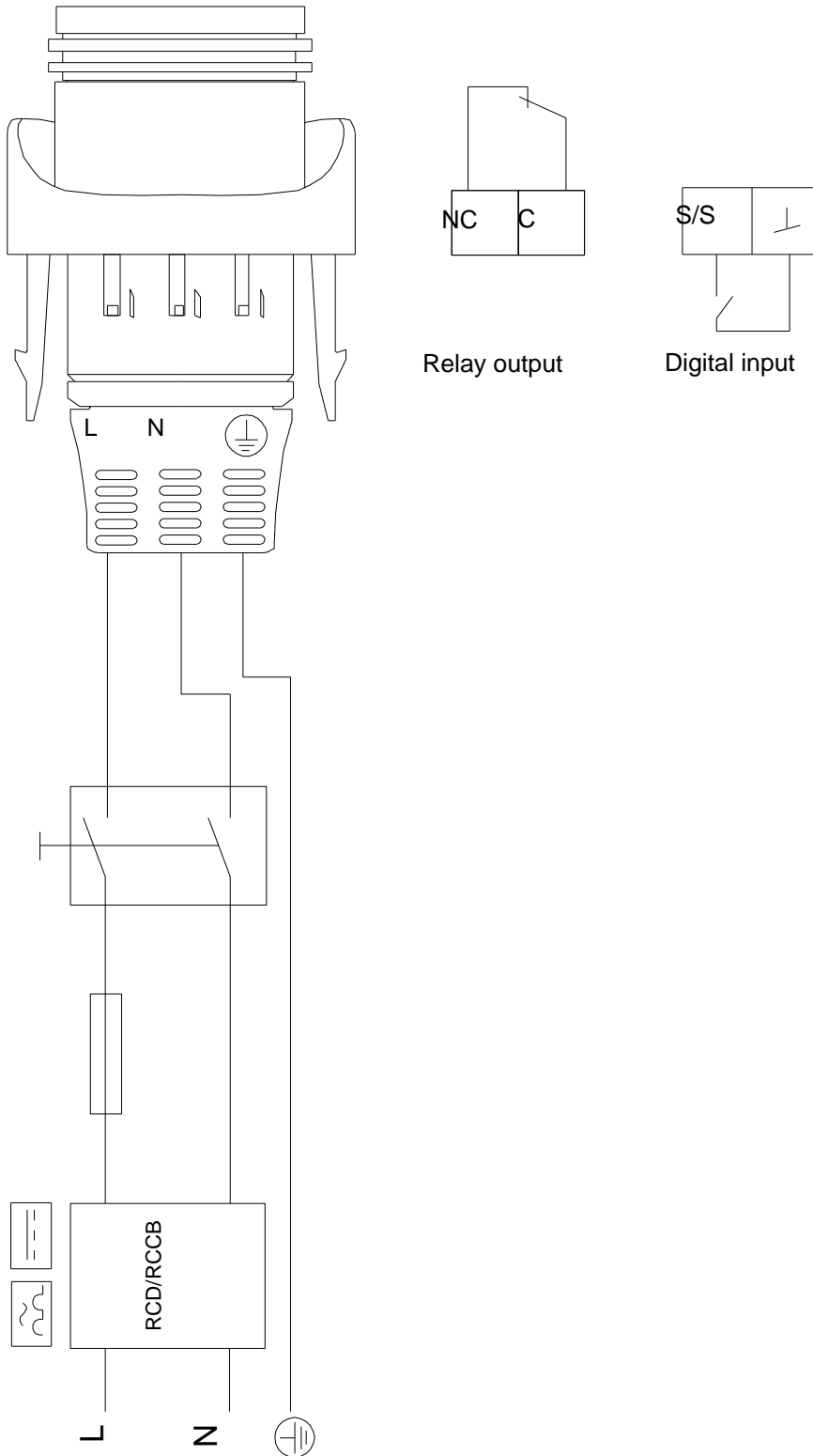


## 99221223 MAGNA1 25-40 N



Note! All units are in [mm] unless others are stated.  
Disclaimer: This simplified dimensional drawing does not show all details.

## 99221223 MAGNA1 25-40 N



Note! All units are in [mm] unless others are stated.