

SHOWERMATE

Standard Single Pumps

Showermate Standard Single shower pumps can be used in pairs to pump hot and cold water supplies independently, or as a single pump to boost the hot or cold water supply as required.

High quality, high performance compact pump supplied with two 15 mm anti-vibration flexible hoses with an integral isolation valve on the inlet hose.

All Showermate Standard pumps are suitable for use in open vented (gravity fed) systems for positive head applications.

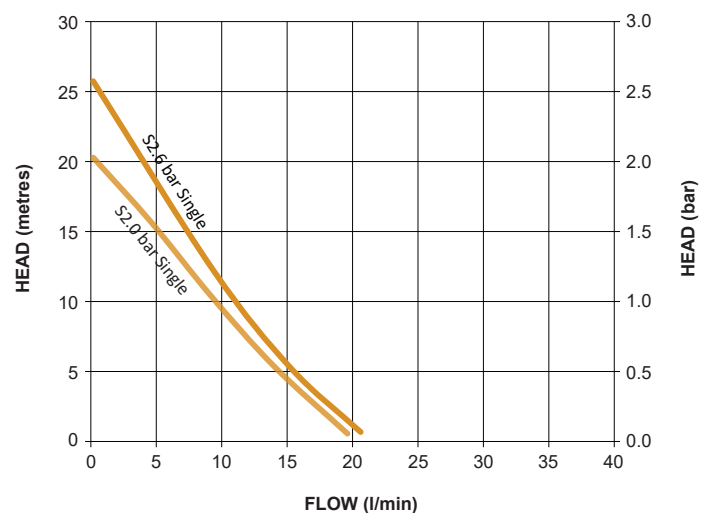


Features

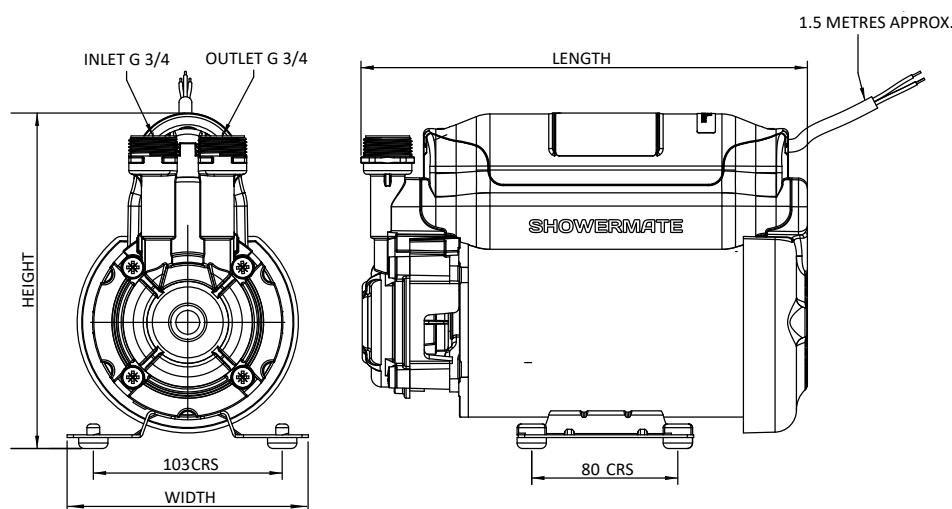
- 3 year warranty
- 2.0 and 2.6 bar options
- Suitable for positive head applications
- High quality, high performing plastic pump supplied with 15 mm flexible hoses with an integral ISO valve on the inlet hose
- Quiet operation
- WRAS approved materials
- Continuously rated
- Anti-vibration feet
- EPDM/PTFE/Al. Oxide seal
- Pre-wired with 1.5 metre power cable

Application

- Low pressure gravity systems – boosting hot or cold water supplies to a single shower or to up to four outlets within a bathroom
- Showermate Standard pumps are suitable for use where there is already more than 1 litre/min flow from the outlet(s) to be boosted



Pump Model		S2.0 bar Single 47340	S2.6 bar Single 47341
General	Warranty	3 years	
	Approvals	UKCA, CE	
Features	Pump type	Peripheral	
	Pump control	Flow switch	
	Anti-vibration feet	✓	
	Flexible hoses	2	
	Dry run protection	✓	
	Typical noise	56 dB(A)	58 dB(A)
Performance	Maximum head – closed valve	2.0 bar (20 metres)	2.6 bar (26 metres)
	Performance @ 9 l/min	1.0 bar (10 metres)	1.2 bar (12 metres)
	Performance @ 18 l/min	0.2 bar (2 metres)	0.3 bar (3 metres)
	Maximum flow	19 l/min	20 l/min
	Maximum static inlet pressure	10 metres	13 metres
	Maximum working pressure*	380 kPa (3.8 bar)	400 kPa (4.0 bar)
	Maximum ambient air temperature	40 °C	
	Min / Max water temperature**	Min 4 °C / Max 65 °C	
	Flow switch sensitivity	0.8 l/min (approx)	
Materials	Pump body	Plastic	
	Impeller	Plastic	
	Mechanical seal	EPDM / PTFE / Al. Oxide	
Connections	Pump connections	G ¾ M	
Flexible hoses	Connections (UK model)	G ¾ F x 15 mm push-fit x 200 mm long, isolating valves on inlet hoses	
Motor	Type	Induction (auto-reset thermal trip)	
	Duty rating	Continuous (S1) @ 9 l/min and above	
Electrical	Power supply (Vac/Ph/Hz)	230 V a.c. / 1 / 50 Hz	
	Power consumption – P1	215 Watts	256 Watts
	Current – full load	1.0Amps	1.2 Amps
	Fuse rating	5 Amps	
	Power cable length	1.5 metres (pre-wired to terminal block)	
Physical	Enclosure protection	IP22	
	Length	208 mm	245 mm
	Width	132 mm	
	Height – excluding hoses	171 mm	184 mm
	Weight – including fittings	3.4 Kg	4.1 Kg



* The maximum pressure that can be applied to the pump under any installation conditions.

** A stored water temperature of 60 °C is considered sufficient to meet all normal requirements and will minimise deposition of scale in hard water areas.

Stuart Turner Limited reserves the right to amend specifications without notice.

Stuart Turner Ltd, Henley-on-Thames, Oxfordshire RG9 2AD Tel: +44 (0) 1491 572655 Fax: +44 (0) 1491 573704
TechAssist Helpline +44 (0) 800 31 969 80
www.stuart-turner.co.uk

Pt. No. 19214 Issue 5020/04-01