

AQUABOOST

iBolt 03 Range – Single Pump Booster Set

The Aquaboost iBolt range of single pump booster sets features a horizontal multistage pump controlled by an air-cooled variable speed frequency inverter mounted directly on the pump motor.

The single pump 03 range includes 0304, 0306 and 0308 pump variants capable of delivering flow rates up to 5.0 m³/hour and capable of producing head pressures of up to 9.0 bar.



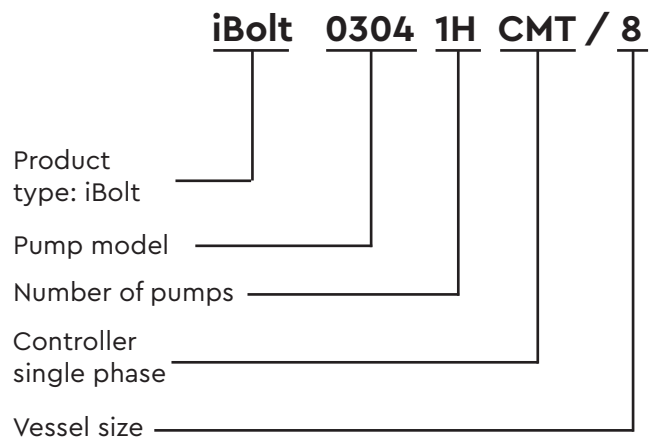
Features

- Flow rates up to 5.0 m³/h
- Head pressure up to 9.0 bar
- Dry run protection
- 304 stainless steel pump
- Stainless steel / brass discharge fittings
- Nickel plated WRAS approved ball valves
- Air cooled inverter
- BMS volt free contacts
- Glycerine filled pressure gauge
- Brass non-return valve
- WRAS approved union ball valves
- WRAS approved 8 litre pressure vessel

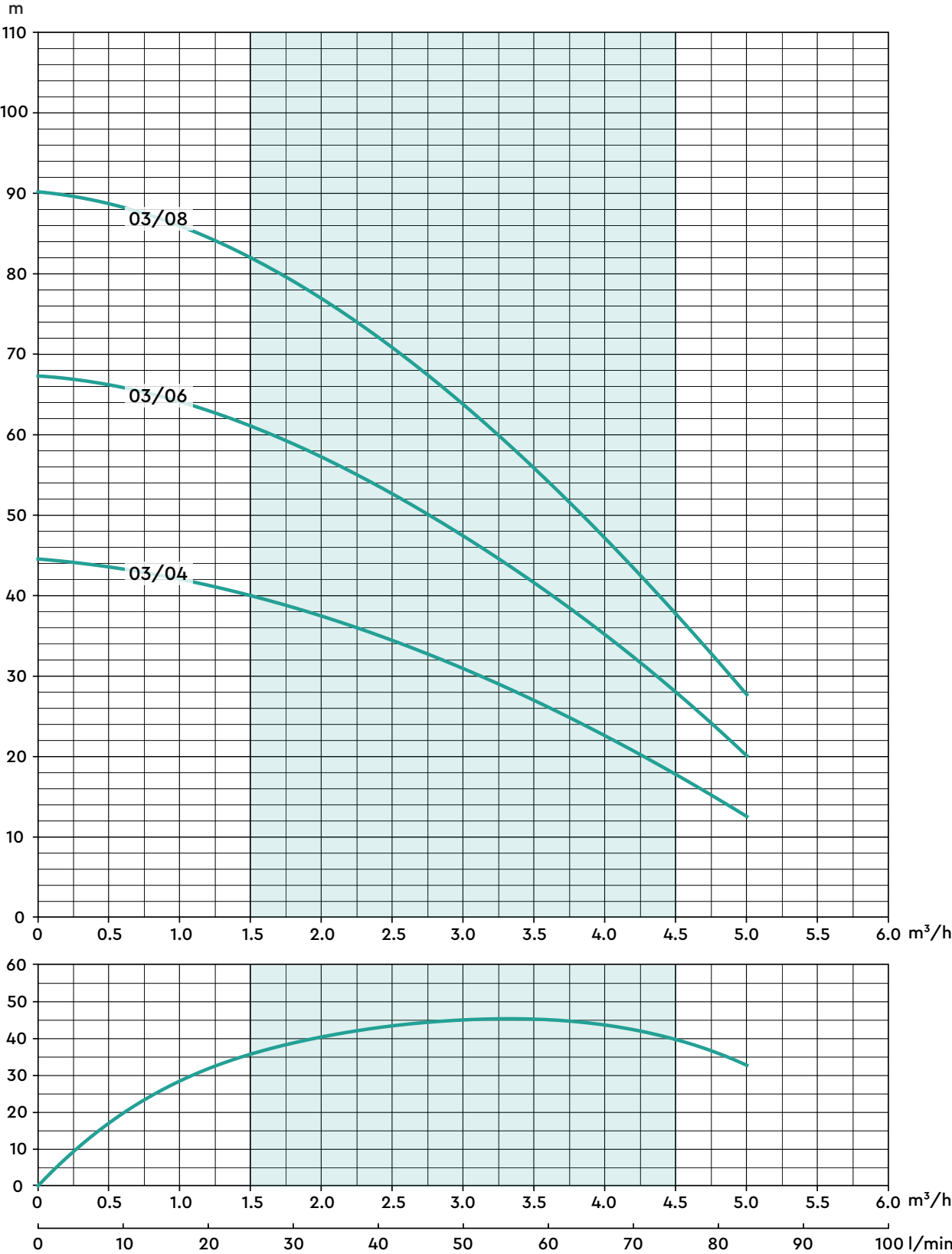
Application

- Cold water pressure and flow boosting in a range of domestic, commercial and industrial applications

Product Code Structure



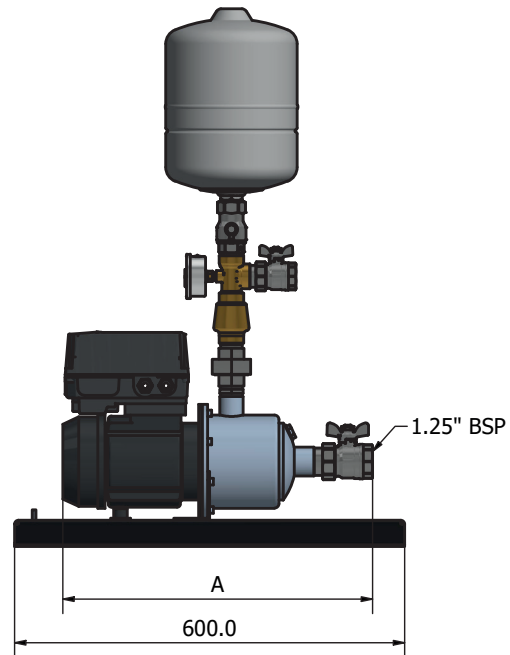
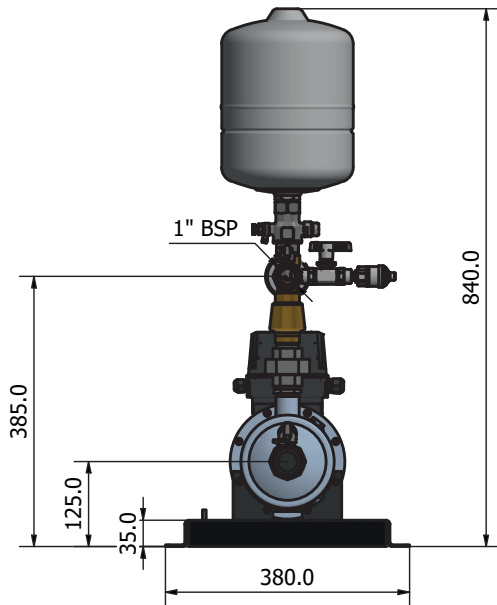
Performance Characteristics iBolt 03 1H-CMT/8



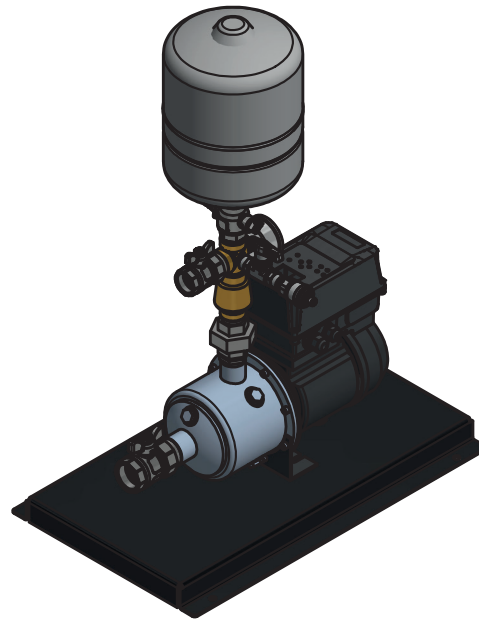
Technical Specification iBolt 03 1H-CMT/8

Model		iBolt 0304 1H-CMT/8 47381	iBolt 0306 1H-CMT/8 47382	iBOLT 0308 1H-CMT/8 47383
General	Warranty	2 years		
	Conformity certification	UKCA, CE		
Features	Pump control system	Variable speed (via pressure transducer)		
	Pump control mode	Duty		
	Dry run protection	✓	✓	✓
	Glycerine filled pressure gauge	✓	✓	✓
	Pump check valve(s)	✓	✓	✓
	BMS volt-free contacts	✓	✓	✓
	Pressure vessel	8 litres		
	Noise	<70 dB(A)		
Performance	Nominal head	3.0 bar	4.7 bar	6.4 bar
	Maximum head (closed valve)	4.4 bar	6.7 bar	9.0 bar
	Nominal flow rate	3.0 m ³ /h		
	Maximum flow rate	5.0 m ³ /h		
	Minimum static inlet pressure	0.1 bar		
	Maximum static inlet pressure	1 bar		
	Maximum static outlet pressure	1.3 bar		
	Maximum ambient air temperature	40 °C		
Connections	Inlet	1 ¼"		
	Outlet	1"		
Manifold	Manifold construction	Stainless steel		
	Pump isolation valves	Full bore, lever		
Pump	Pump type	Centrifugal multistage		
	Pump body	Stainless steel		
	Impeller	Stainless steel		
	Mechanical seal	EPDM / Carbon / Ceramic		
	Motor type	Induction (current overload sensor)		
	Duty rating	Continuous		
Electrical	Power supply / phase / frequency	230 V a.c./1/50 Hz		
	Current – full load	2.9 Amps	3.8 Amps	5.3 Amps
Physical	Enclosure protection	IP55		
	Width	380 mm		
	Depth	600 mm		
	Height	840 mm		
	Weight	24 Kg	26 Kg	30 Kg

Dimensions iBolt 03 1H-CMT/8



Dimension Table	
Pump Type	A (mm)
0304	480
0306	525
0308	615



Scan QR Code for:

- Quick install information
- Operation & Maintenance manuals
- Wiring diagram
- Troubleshooting guides



Stuart Turner Limited reserves the right to amend specifications without notice.

Stuart Turner Ltd, Market Place, Henley-on-Thames, Oxfordshire, RG9 2AD

Tel: +44 (0) 1491 572655

www.stuart-turner.co.uk

Pt. No. 21142 Issue 0422-01-02