

AQUABOOST

iBolt Pump – 05 Range

The Aquaboost iBolt pump range features a horizontal multistage pump controlled by an air-cooled variable speed frequency inverter mounted directly on the pump motor.

The iBolt pump 05 range includes 0504, 0506 and 0508 pump variants capable of delivering flow rates up to 8.0 m³/hour and capable of producing head pressures of up to 9.2 bar.



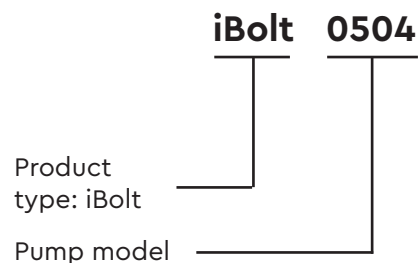
Features

- Flow rates up to 8.0 m³/h
- Head pressure up to 9.2 bar
- Dry run protection
- 304 stainless steel pump
- Stainless steel / brass discharge fittings
- Nickel plated WRAS approved ball valves
- Air cooled inverter
- BMS volt free contacts
- Hydraulic kit, base plate and anti-vibration mount options available

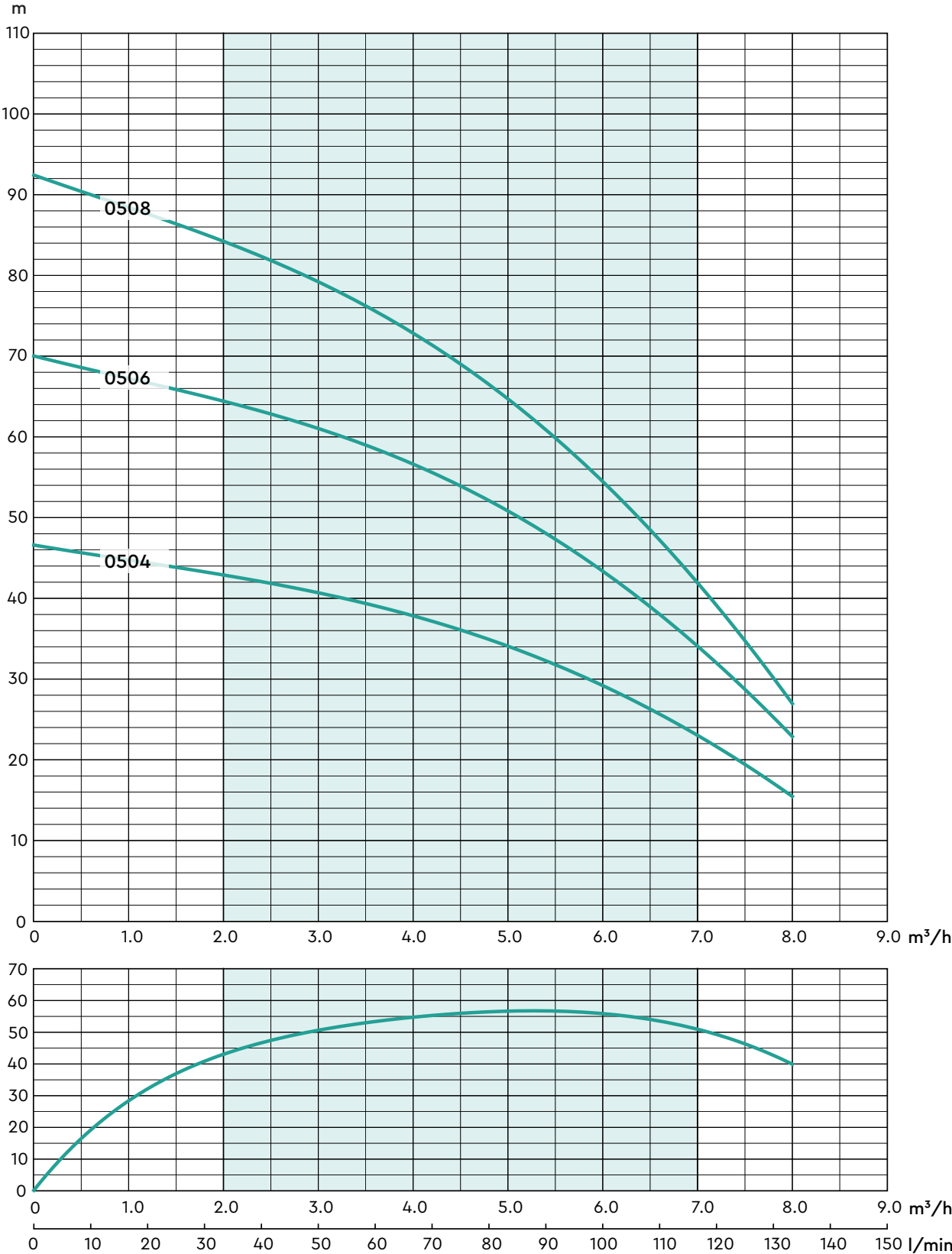
Application

- Cold water pressure and flow boosting in a range of domestic, commercial and industrial applications

Product Code Structure



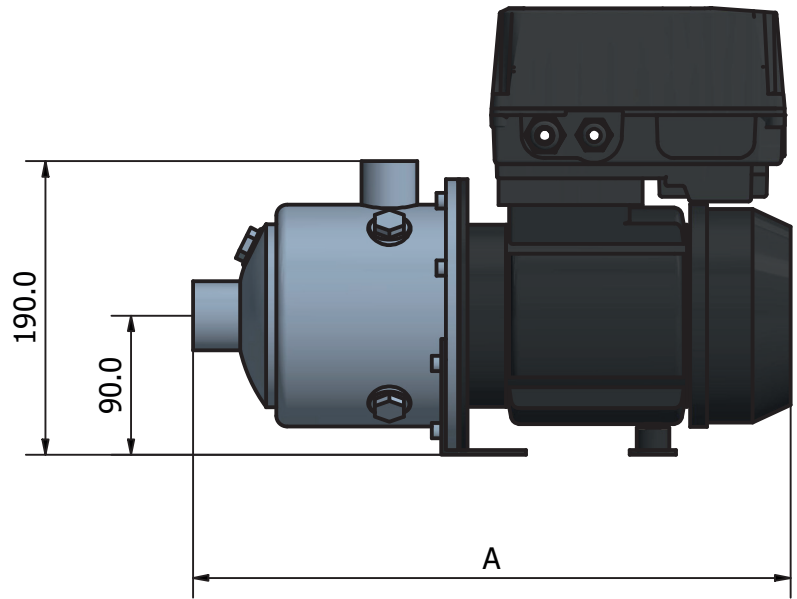
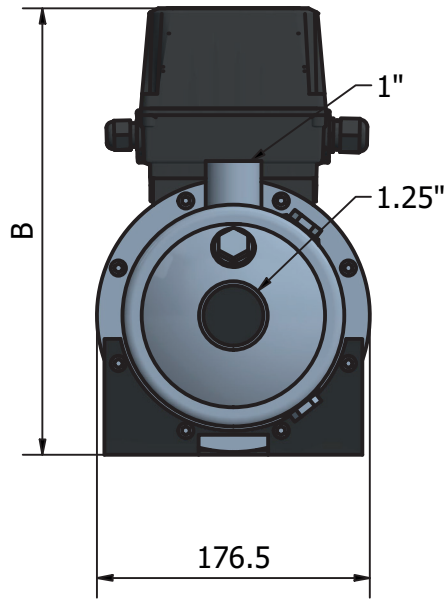
Performance Characteristics iBolt Pump - 05 Range



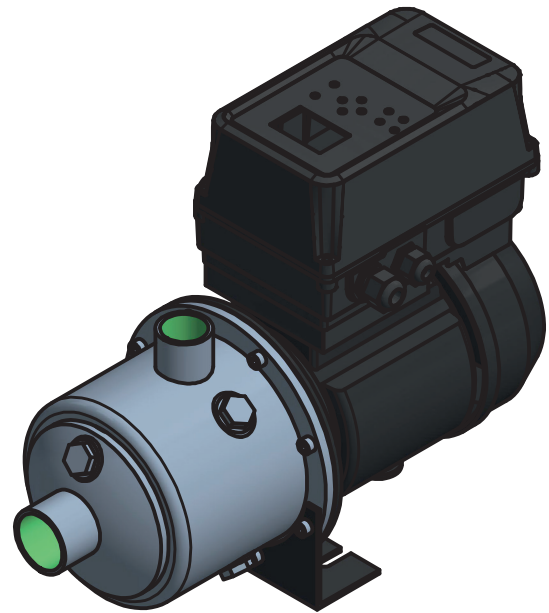
Technical Specification iBolt Pump – 05 Range

Model		iBolt Pump 0504 47347	iBolt Pump 0506 47348	iBolt Pump 0508 47379
General	Warranty	2 years		
	Conformity certification	UKCA, CE		
Features	Pump control system	Variable speed (via pressure transducer)		
	Pump control mode	Duty		
	Dry run protection	✓	✓	✓
	BMS volt-free contacts	✓	✓	✓
	Noise	<70 dB(A)		
Performance	Nominal head	3.4 bar	5.0 bar	6.5 bar
	Maximum head (closed valve)	4.6 bar	7.0 bar	9.2 bar
	Nominal flow rate	5.0 m ³ /h		
	Maximum flow rate	8.0 m ³ /h		
	Minimum static inlet pressure	0.1 bar		
	Maximum static inlet pressure	1 bar		
	Maximum static outlet pressure	1.3 bar		
	Maximum ambient air temperature	40 °C		
Connections	Inlet	1 ¼"		
	Outlet	1"		
Pump	Pump type	Centrifugal multistage		
	Pump body	Stainless steel		
	Impeller	Stainless steel		
	Mechanical seal	EPDM / Carbon / Ceramic		
	Motor type	Induction (current overload sensor)		
	Duty rating	Continuous		
Electrical	Power supply / phase / frequency	230 V a.c./1/50 Hz		
	Current – full load	3.7 Amps	5.5 Amps	7.3 Amps
Physical	Enclosure protection	IP55		
	Width	176.5 mm		
	Depth	387 mm	472 mm	567 mm
	Height	300 mm	315 mm	320 mm
	Weight	14 Kg	18 Kg	24 Kg

Dimensions iBolt Pump - 05 Range



Dimension Table		
Pump Type	A (mm)	B (mm)
0504	387	300
0506	472	315
0508	567	320



Scan QR Code for:

- Quick install information
- Operation & Maintenance manuals
- Wiring diagram
- Troubleshooting guides



Stuart Turner Limited reserves the right to amend specifications without notice.

Stuart Turner Ltd, Market Place, Henley-on-Thames, Oxfordshire, RG9 2AD

Tel: +44 (0) 1491 572655

www.stuart-turner.co.uk

Pt. No. 21140 Issue 0422-01-02