

# C2-Lite CAD™

Lightweight maintenance-free pressure tanks



## Features

- Patented CAD-2 diaphragm technology
- Unique three piece construction
- Reinforced plastic connection
- Durable continuous strand fiberglass sealed with epoxy resin
- Rugged copolymer polypropylene base
- Quality brass air stem with O-ring seal
- No sweat design
- Comprehensive testing
- Maintenance-free



*Certifications may vary by model. Check with your GWS sales representative for more detailed information.*

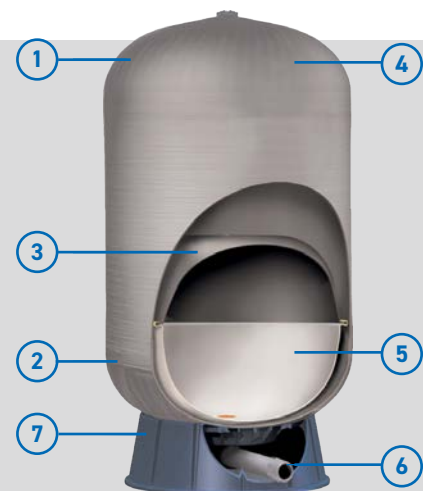
If you are looking for the proven performance of a GWS steel tank in a lightweight composite design, C2-Lite CAD™ series is the answer. Efficient and cost-effective, C2-Lite CAD tanks are designed with the patented controlled action diaphragm design of GWS Challenger™ tanks. Unlike other composite tanks that hide tired old bag technology in a plastic shell, the patented CAD-2 diaphragm design is stronger and will not crease and wear out. It features a 100% butyl diaphragm with a precision molded copolymer polypropylene liner for superior air and water separation. This patented design allows each size tank to have a properly sized water chamber matched to the drawdown performance of that tank. C2-Lite CAD tanks are easy to install, weather-resistant, and engineered to withstand even extreme environmental conditions. When it comes to performance and durability, the GWS C2-Lite CAD design cannot be beat.

C2-Lite CAD tanks are quality tested at several stages on the production line to ensure the structural integrity of every tank.

C2-Lite CAD tanks represent the best value for the investment and are the best quality composite vessels available today.

### Construction of a C2-Lite CAD™ tank

1. Precision injection molded domes
2. High-tech spin welding process
3. Patented CAD-2 controlled action diaphragm design
4. Durable continuous strand fiberglass sealed with epoxy resin
5. Virgin polypropylene liner
6. Reinforced plastic connection
7. Rugged base



Where Water Gets Better

## Models

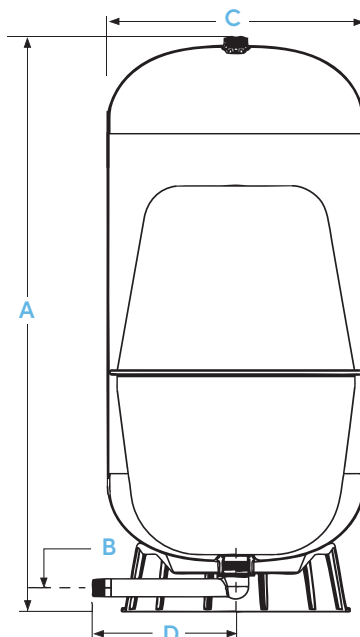
Model Number		Connection	Nominal Volume		Dimensions (mm)				Gross Weight [kg]
BSP	NPT		Liters	Gallons	A	B	C	D	
<b>Vertical</b>									
C2B-60LV	C2N-15GV	1" BSPT / 1" NPT	60	15.8	650	45	421	239	8.6
C2B-80LV	C2N-20GV	1" BSPT / 1" NPT	80	21.1	865	45	421	239	10.9
C2B-100LV	C2N-25GV	1" BSPT / 1" NPT	100	26.4	980	45	421	239	11.5
C2B-130LV	C2N-35GV	1" BSPT / 1" NPT	130	34.3	1242	45	421	239	15.4
C2B-200LV	C2N-50GV	1¼" BSPT / NPT	200	52.8	1099	57	546	302	20.2
C2B-250LV	C2N-65GV	1¼" BSPT / NPT	250	66.0	1355	57	546	302	25.0
C2B-300LV	C2N-80GV	1¼" BSPT / NPT	300	79.2	1644	57	546	302	28.2
C2B-350LV	C2N-90GV	1¼" BSPT / NPT	350	92.4	1448	57	618	340	33.1
C2B-450LV	C2N-120GV	1¼" BSPT / NPT	450	118.8	1832	57	618	340	36.3

Note: Minor dimensional variations may occur.

## Specifications

Product Series Name	C2-Lite CAD™
Nominal Volume	60 - 450 L / 15 - 120 gal
Max. Operating Temperature	49°C / 120°F
Max. Operating Pressure	8.6 bar   125 psi
Factory Pre-charge	1.4 bar   20 psi

Please refer to tank packaging for correct factory set pre-charge information.



**LIGHTWEIGHT MAINTENANCE-FREE PRESSURE TANKS**