

DOMO GRI 11HF

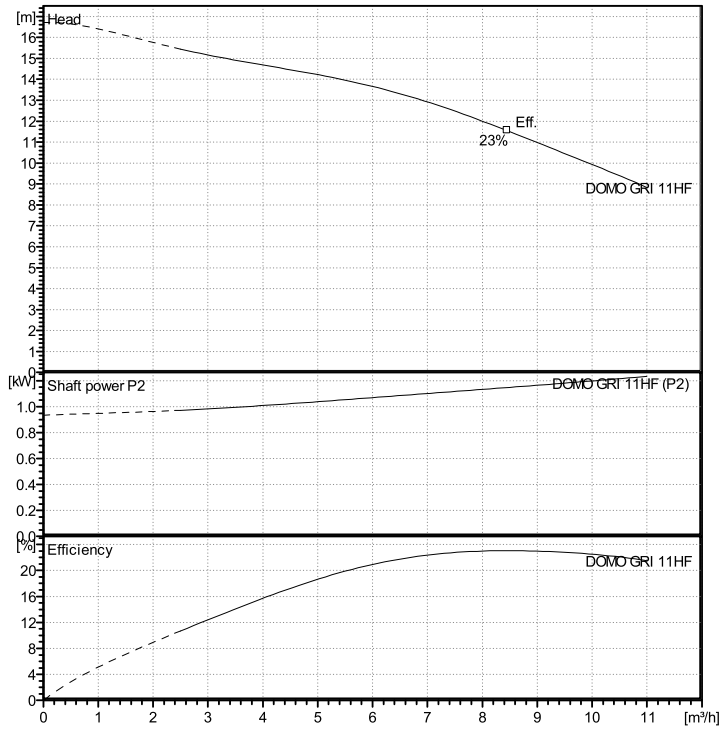
Technical data

Company name
Contact
Phone number
e-mail address

Performance according to ISO 9906:2012 – Grade 3B

Power data referred to:

Water, pure [100%] ; 4°C; 1000kg/m³; 1.57mm²/s



Operating Data Specification

Flow	0 m ³ /h
Head	0 m

Hydraulic data (duty point)

Flow	
Head	
Max. shaft power	1.23 kW

Pump data

Make	Lowara
Type	DOMO GRI 11HF Submersible waste water pump
Speed	2900
Head H(Q=0)	16.7 m
Suction side	
Discharge side	
Types of installation	1 phase motor version
Weight	20.8 kg

Materials / seals

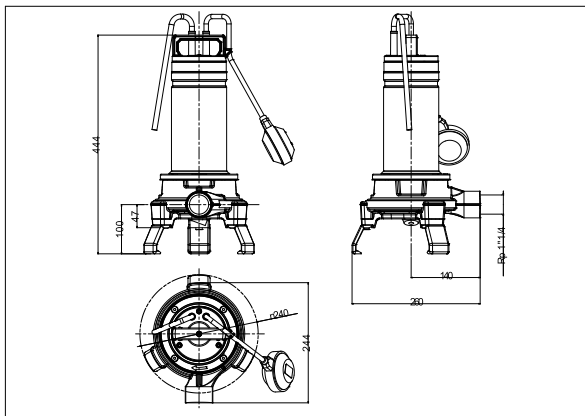
Pump body	Cast iron / ASTM Class 30
Impeller	PBT
SUCTION COVER	Cast iron / ASTM Class 30
Fixing ring	Stainless steel / AISI 304

Shaft Seal

Rotating Assembly	Silicon Carbide
Fixed Assembly	Silicon Carbide
Elastomers	NBR
Springs	AISI 316
Other Components	AISI 316

Motor data

Rated power P2	1.1 kW	Nom. Speed	2900 rpm
Frequency	50	Phase	1~
Rated voltage	240 V	Rated current	4.97 A
Protection class	IP X8	Insulation class	F
Permitted voltage tolerance +/- 10%			



Dimensions mm

B	240		
C	260		
H	444		
H1	100		
H2	47		
X	Rp 1" 1/4		

Note: