

STUART

PH ES CI Peripheral Pumps (50 Hz)

STUART PH Cast Iron pumps are designed for continuous operation at 5 litres per minute and above.

These compact, high performance pumps feature end suction and vertical delivery connections and provide flow rates up to 49 litres per minute and heads up to 97 metres.

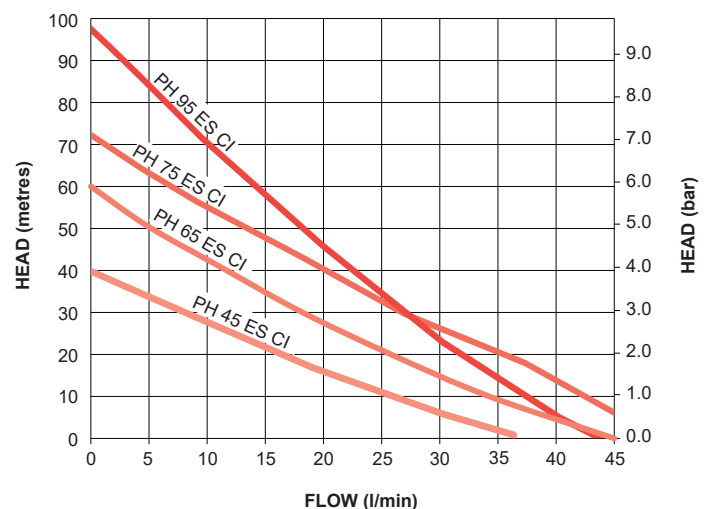


Features

- Flow rates up to 49 litres per minute
- Heads up to 97 metres
- End suction, vertical delivery connections
- Cast iron pump body and brass impeller
- Standard control
- Continuously rated
- 1 year warranty

Application

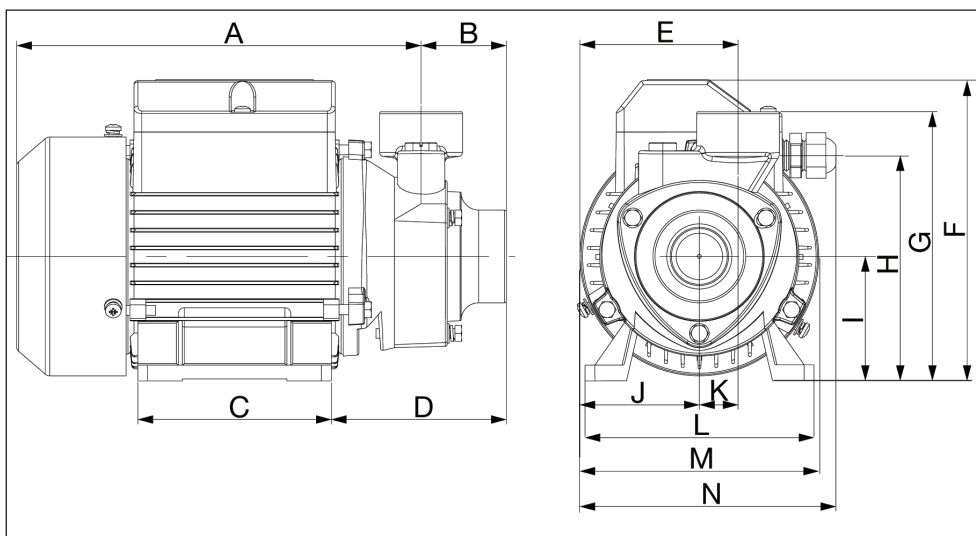
- PH ES CI peripheral pumps are designed to pump clean water
- Other clean, non aggressive, non explosive liquids with similar characteristics to water may be pumped
- Please consult Stuart Turner Ltd for guidance



		PH 45 ES CI 50 Hz 46669	PH 65 ES CI 50 Hz 47394	PH 75 ES CI 50 Hz 46732	PH 95 ES CI 50 Hz 46733
General	Warranty	1 year			
	Conformity certification	UKCA CE			
Features	Pump type	Peripheral			
	Priming vent plug	●		●	●
	Noise	70 dB(A)	74 dB(A)	79 dB(A)	75 dB(A)
Materials	Pump body	Cast iron			
	Impeller	Brass			
	Mechanical seal	Nitrile / Carbon / Ceramic			
Performance	Maximum head (closed valve)	40 metres	60 metres	72 metres	97 metres
	Performance @ 9 l/min	29 metres	43 metres	56 metres	73 metres
	Performance @ 18 l/min	18 metres	29 metres	43 metres	50 metres
	Maximum flow	36 l/min	47 l/min	49 l/min	43 l/min
	Minimum static inlet pressure	0.1 bar (1 metre)			
	Maximum static inlet pressure	1.4 bar (14 metres)			
	Maximum viscosity	50 secs redwood no 1 9.5 centistokes			
	Maximum working pressure*	600 kPa (6 bar)	750 kPa (7.5 bar)	850 kPa (8.5 bar)	1100 kPa (11 bar)
	Maximum ambient air temperature	50 °C			
	Min / Max water temperature	Min 4 °C / Max 60 °C			
	Suction lift**	4.6 metres			
Connections	Pump connections	G 1 F	G 1 F	G 1 F	G ¾ F
Motor	Type	Induction, auto-reset thermal trip			
	Duty rating	Continuous (S1) @ 5 l/min and above			
Electrical	Power supply / phase / frequency	230 V a.c. / 1 / 50 Hz			
	Current (full load)	2.3 Amps	3.6 Amps	4.9 Amps	5.6 Amps
	Power consumption	529 Watts	812 Watts	1087 Watts	1240 Watts
	Fuse rating	5 Amps	5 Amps	13 Amps	13 Amps
Physical	Enclosure protection	IP44			
	Length	248 mm		283 mm	280.5 mm
	Width	130 mm		145 mm	
	Height	153 mm		177 mm	
	Weight	5.4 Kg	7.3 Kg	10.4 Kg	10.5 Kg

* The maximum pressure that can be applied to the pump under any installation conditions.

** With footvalve fitted



	PH 45 ES CI	PH 65 ES CI	PH 75 ES CI	PH 95 ES CI
Dim. 'A'	205	208	234	234
Dim. 'B'	43	40	49	46.5
Dim. 'C'	98	98	112	112
Dim. 'D'	89	86	101	98.3
Dim. 'E'	80	80	93.5	88.6
Dim. 'F'	153	153	177	177
Dim. 'G'	136	136	154	157
Dim. 'H'	114	114	134	134
Dim. 'I'	63	63	71	71
Dim. 'J'	60.5	60.5	70.5	70.5
Dim. 'K'	19.7	19.7	23.5	18.5
Dim. 'L'	116	116	134	134
Dim. 'M'	121	121	140	140
Dim. 'N'	130	130	145	145

Stuart Turner Limited reserves the right to amend specifications without notice.

Stuart Turner Ltd, Henley-on-Thames, Oxfordshire RG9 2AD Tel: +44 (0) 1491 572655

TechAssist Helpline +44 (0) 800 31 969 80

www.stuart-turner.co.uk