

# Sanifloor +



3 m  
30 m



## PRODUCT BENEFITS

- Wireless communication between pump and waste
- Easy maintenance: removable and cleanable hair drain
- Simple maintenance: replaceable detection module

## FUNCTIONING PRINCIPLES

The water entering the gully automatically activates the pump using an internal drain detection system. The water is then sucked up and pumped towards the main pipe.

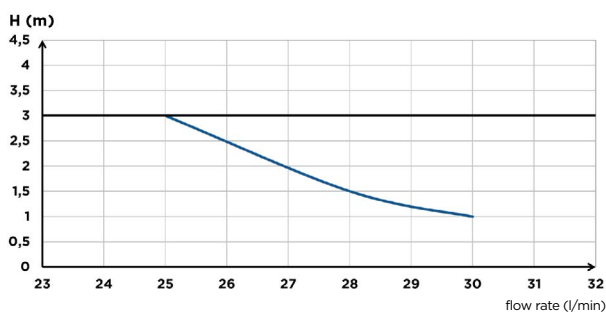
## TECHNICAL FEATURES

	Sanifloor+ 1	Sanifloor+ 2	Sanifloor+ 3	Sanifloor+ 4
Number of inlets	1			
External inlet diameter	16 mm			
Discharge diameter ext.	32 mm			
Voltage / Frequency	220-240 V / 50-60 Hz			
Motor power	400 W			
IP Rating	IP44			
Electrical class	I			
<b>Identification and logistics</b>				
Gross weight	8 kg			8.5 kg
EAN code	3308815076232	3308815076249	3308815076164	3308815076256
Product code	6154	6155	6156	6158

## PACK CONTAINS

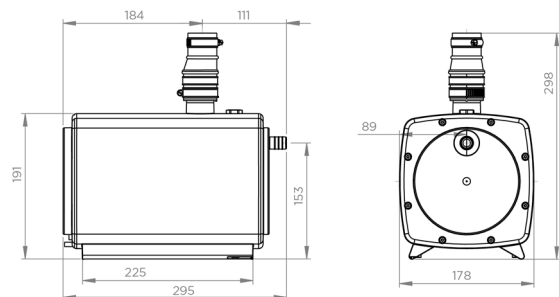
Sanifloor + pump and waste, non-return valve, floor fixings, 3 m steel spiral hose

## CURVE



— recommended max height: 3 m

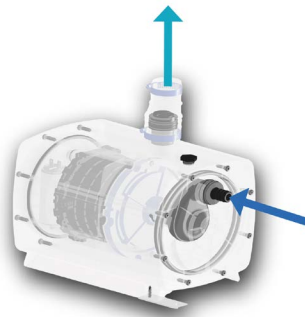
## DIMENSIONS



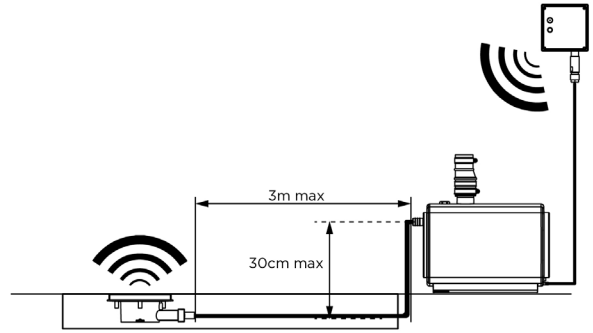
## CONNECTIONS

← Discharge diameter ext. : 32 mm

→ External inlet diameter : 16 mm

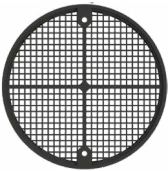


## INSTALLATION DIAGRAM



### Sanifloor+ 1

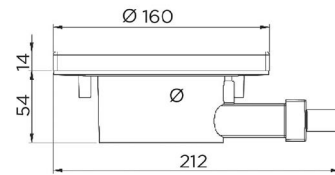
For tiled floors



Removable hair drain



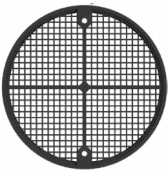
Barcode: 3308815076232



Product code: 6154

### Sanifloor+ 2

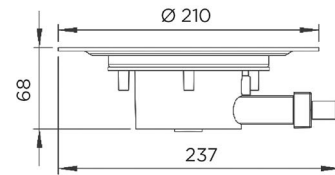
For vinyl floors



Removable hair drain



Barcode: 3308815076249



Product code: 6155

### Sanifloor+ 3

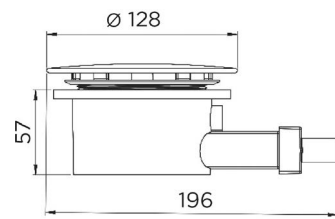
For shower trays



Removable hair drain



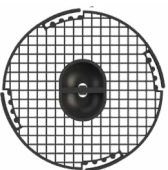
Barcode: 3308815076164



Product code: 6156

### Sanifloor+ 4

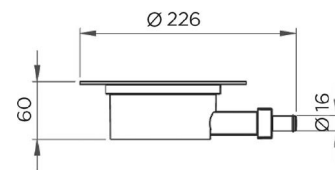
For Wedi® former for tiling



Removable hair drain



Barcode: 3308815076256



Product code: 6158