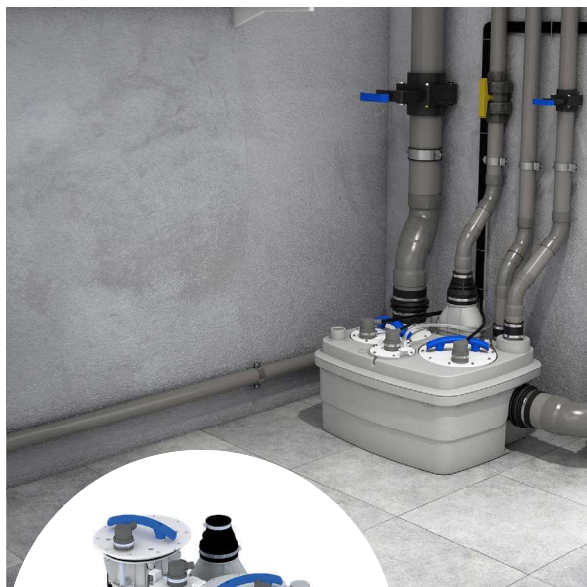


Sanicubic 2 Pro

Grey water, black water

Sanicubic 2 Pro, 2 Pro Smart and 2 Pro Smart Brushless are two pump stations designed for the lifting of waste water from individual houses, small businesses or light commercial premises such as restaurants or pubs. They use the Pro X K2 macerator technology which removes waste water through a 50 mm diameter discharge pipe. The two pumps work alternately. The 5 inlets, 2 of which are side inlets, allow great flexibility in the installation of sanitaryware.



PERFORMANCE

- Max. head : 12 m
- Max. flow rate : 15 m³/h

PRODUCT BENEFITS

- Easily accessible with removable motors and level sensors for ease of maintenance
- Alternating operation of the 2 pumps
- 5 inlets, 2 of which are side inlets
- Less chance of clogging due to the Pro X K2 grinder technology
- Discharge in 50 mm ext. pipe
- Smart control box available for the Sanicubic 2 Pro, 2 Pro Smart and 2 Pro Smart Brushless



See page 10

DELIVERED AS STANDARD



Remote wired audible and visual alarm unit (5m) for Sanicubic 2 Pro Smart and 2 Pro Smart Brushless



HF alarm for Sanicubic 2 Pro



Classic control box for Sanicubic 2 Pro



SMART control box for Sanicubic 2 Pro Smart and 2 Pro Smart Brushless

OPTIONAL EXTRAS



Isolation valve
DN50 shut-off valve
Product code: 1109

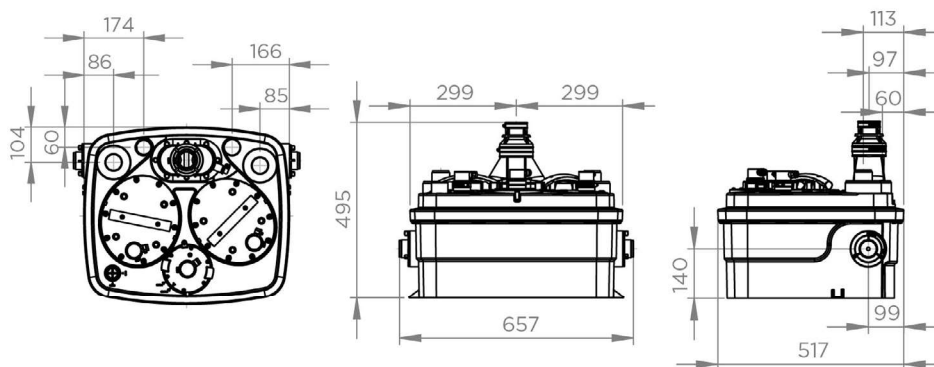


Isolation valve
DN100 shut-off valve
Product code: 1107/1

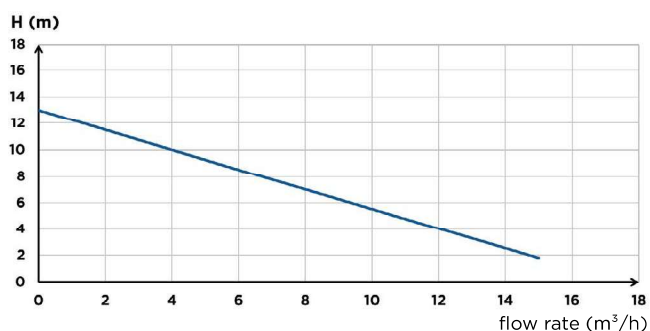


Sanicubic carbon filter
Product code: 1108
Barcode: 3308815077529

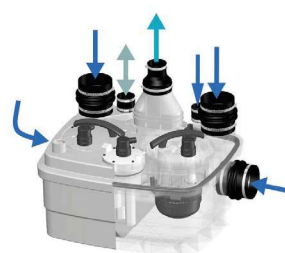
DIMENSIONS



CURVE



CONNECTIONS



- External inlet diameter : 40/50/100/110 mm
- Discharge diameter ext. : 50 mm
- Ext. ventilation diameter : 50 mm

	Sanicubic 2 Pro	Sanicubic 2 Pro Smart	Sanicubic 2 Pro Smart Brushless
Type of control box	Classic	Smart	Smart
Material			
Tank	PP	PP	PP
Pump housing	PA 12 GF	PA 12 GF	PA 12 GF
Motor housing	PA 12 GF	PA 12 GF	PA 12 GF
Impeller	PP GF	PP GF	PP GF
Electrical features			
Voltage (V)	230	230	230
Frequency (Hz)	50-60	50-60	50-60
Power consumption P1 (W)	1500	1500	1500
Power output P2 (W)	1050	1050	1050
Mode of operation	S3 50 %	S3 50 %	S3 50 %
IP rating	IP68	IP68	IP68
Hydraulics			
Max. head (m)	13	13	13
Max. flow rate (m³/h)	15	15	15
External inlet diameter (mm)	40/50/100/110	40/50/100/110	40/50/100/110
Discharge diameter ext. (mm)	50	50	50
Ext. ventilation diameter (mm)	50	50	50
Total volume (L)	45	45	45
Useable volume (L)	17.5	17.5	17.5
ON level /OFF level (mm)	140/70	140/70	140/70
Alarm level (mm)	210	210	210
Max. temperature of the pumped liquid (5 min)	70°C	70°C	70°C
Type of impeller	Pro X K2 grinder	Pro X K2 grinder	Pro X K2 grinder
Type of activation	pneumatic	pneumatic	pneumatic
Identification and logistics			
Gross weight (kg)	35	35	35
EAN code	3308815074450	3308815075457	3308815085166
Product code	30011	30012	30013