

Qty. Description

1 COMFORT 15-14 B TDT



Note! Product picture may differ from actual product

Product No.: On request

COMFORT TDT is an efficient circulator designed for hot-water recirculation in residential buildings with a dedicated return line. It is compatible with all types of water heater tanks, tankless systems, solar or heat pumps regardless of whether the system has mixing or tampering valves installed.

The pump features a compact housing and a permanent magnet with an integrated control unit.

The spherical rotor, equipped with an impeller, ensures optimal functionality supported by a robust single-bearing ball system.

The drinking-water approved brass pump housing guarantees both safety and reliability.

COMFORT TDT moreover features a built-in temperature sensor to maintain precise water temperature.

The user-friendly interface features LEDs and push-buttons on the operating panel. This offers an intuitive way to display and set operating times and control modes and ensures a comfortable and energy-efficient experience for residential use.

The timer control mode enables the pump to operate continuously based on set operating times with the smallest time increment being 30 minutes.

In case of power failure, the timer pauses with no power reserve.

However, the selected operating times and actual time are retained.

When power is restored, the pump resumes its last set operating state.

If the power outage exceeds 15 minutes, the actual time may need to be reset.

The timer and temperature control mode enables the pump to operate based on set operating times and the functionalities of temperature mode, with operating times taking priority.

This means that the temperature mode is only active during the specified operating times.

This control mode automatically activates the pump when the internal temperature sensor detects that the water temperature drops below a certain level.

The control mode automatically adjusts the on/off temperature based on the maximum temperature measured in the system.

The maximum temperature of the system is measured every 12 hours for 15 minutes, enabling dynamic adjustment of the on/off temperature.

The product offers:

- Q-H performance that is designed for single—and multi-family homes, depending on the required duty point to accommodate heat loss in a specific pipe layout.
- Heat loss reduction by 56 % compared to continuously running pump.
- Low power consumption and silent operation.
- Compliance with pipe manufacturers' flow velocity limits, including DN 15, DN 20 PEX, copper, and others.
- Drinking-water approval, ensured by the brass pump housing, stainless-steel rotor, and composite impeller.
- A design that makes it easy to clean limescale and foreign deposits by removing the pump head, enabling the product to meet unlimited water hardness requirements.
- Dry-running protection to prevent failure if the system runs out of water.
- Multiple installation positions, even with the pump head pointing downwards.
-



Company name:

Created by:

Phone:

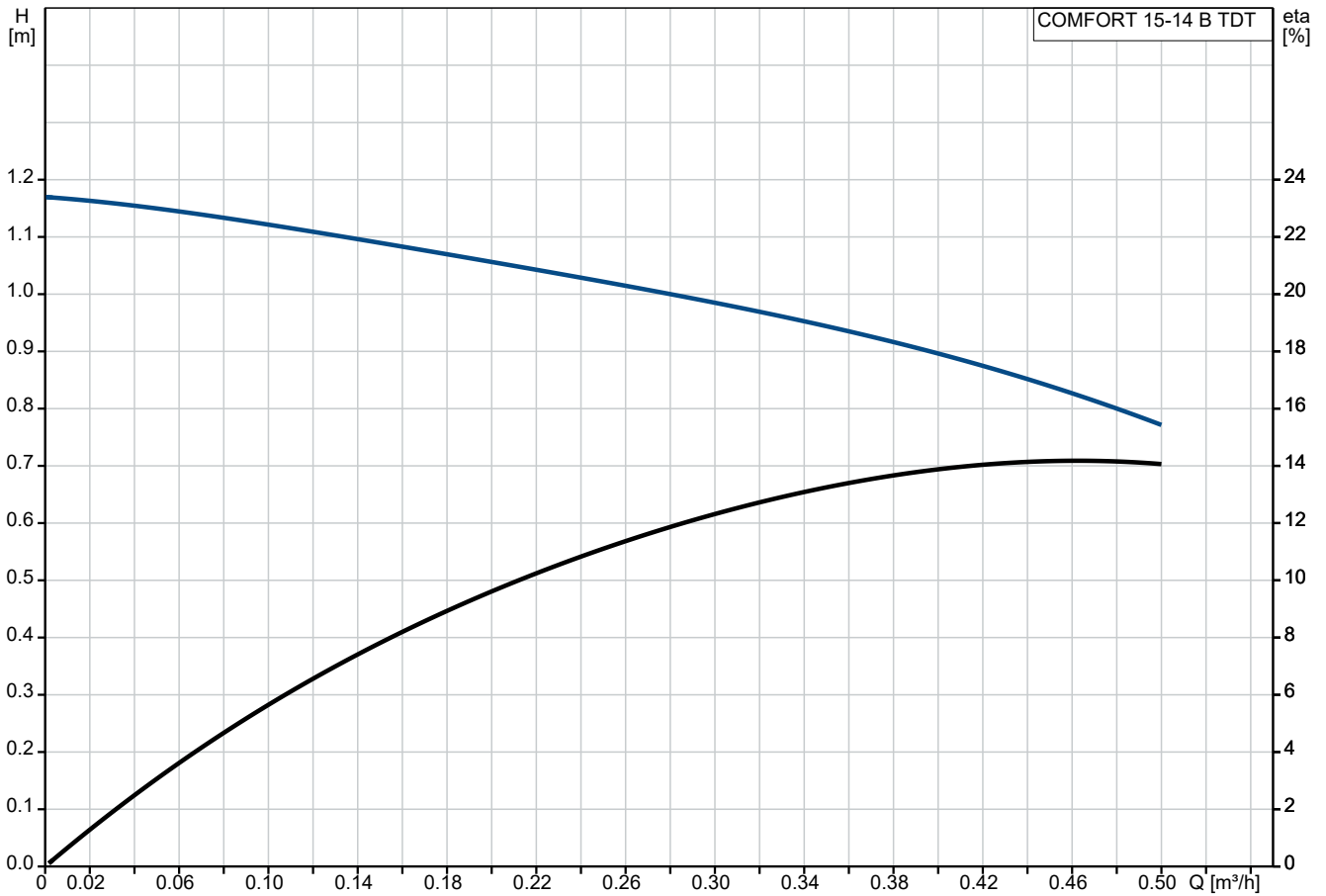
Date:

03/09/2024

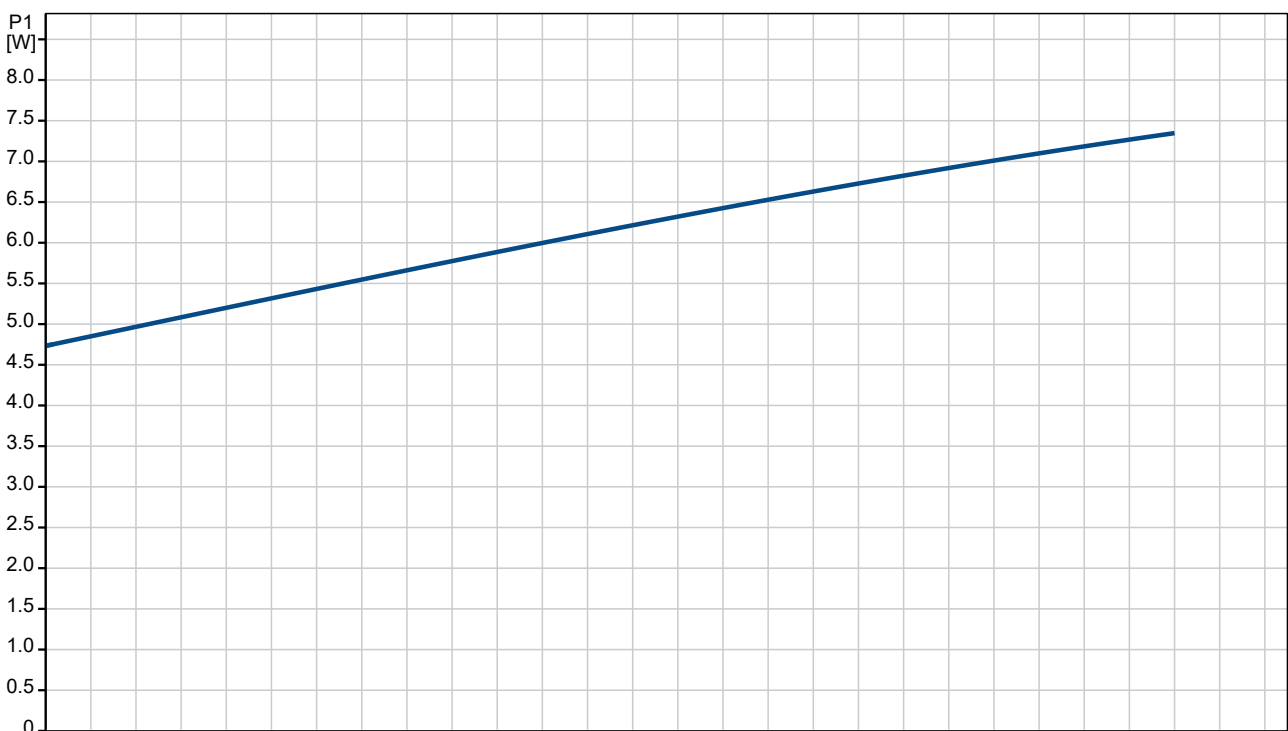
Qty.	Description
------	-------------

1	<p>A pump head designed to fit brass pump housings of old and new pumps of the same design, even from different pump manufacturers (such as WILO, VORTEX, LOWARA, DAB and others).</p> <p>The design enables easy installation and removes the need to replace the pump housing and drain the system.</p> <ul style="list-style-type: none">• Easy electrical installation, which is ensured by a detachable COMFORT plug and a double insulation protection design, which eliminates the need for a ground wire.• Insulating shell included for reduced heat loss.• Non-return and shut-off valves included in X variant, reducing installation cost.• An optional venting flange, providing a simple way to vent or drain the system without the need for permanently installing an additional venting valve.• Optional fittings for pipe connections in different sizes and types.• Optional non return and shut-off valves are available.
---	--

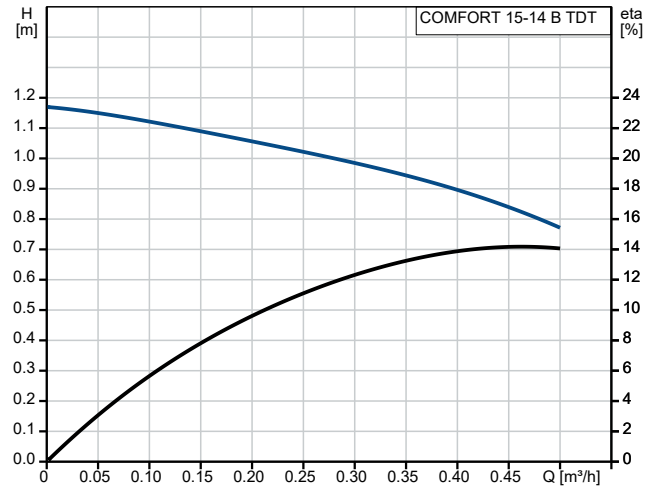
On request COMFORT 15-14 B TDT



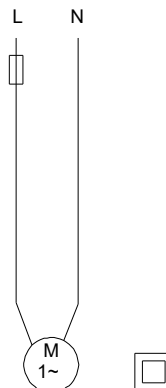
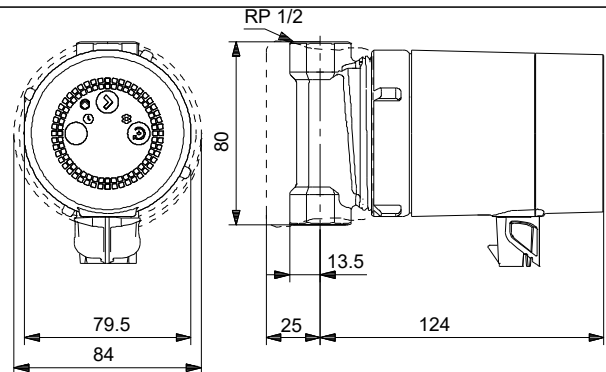
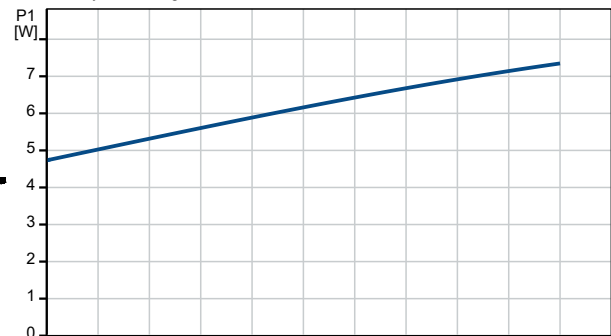
Pumped liquid = Water
 Liquid temperature during operation = 60 °C
 Density = 983.2 kg/m³



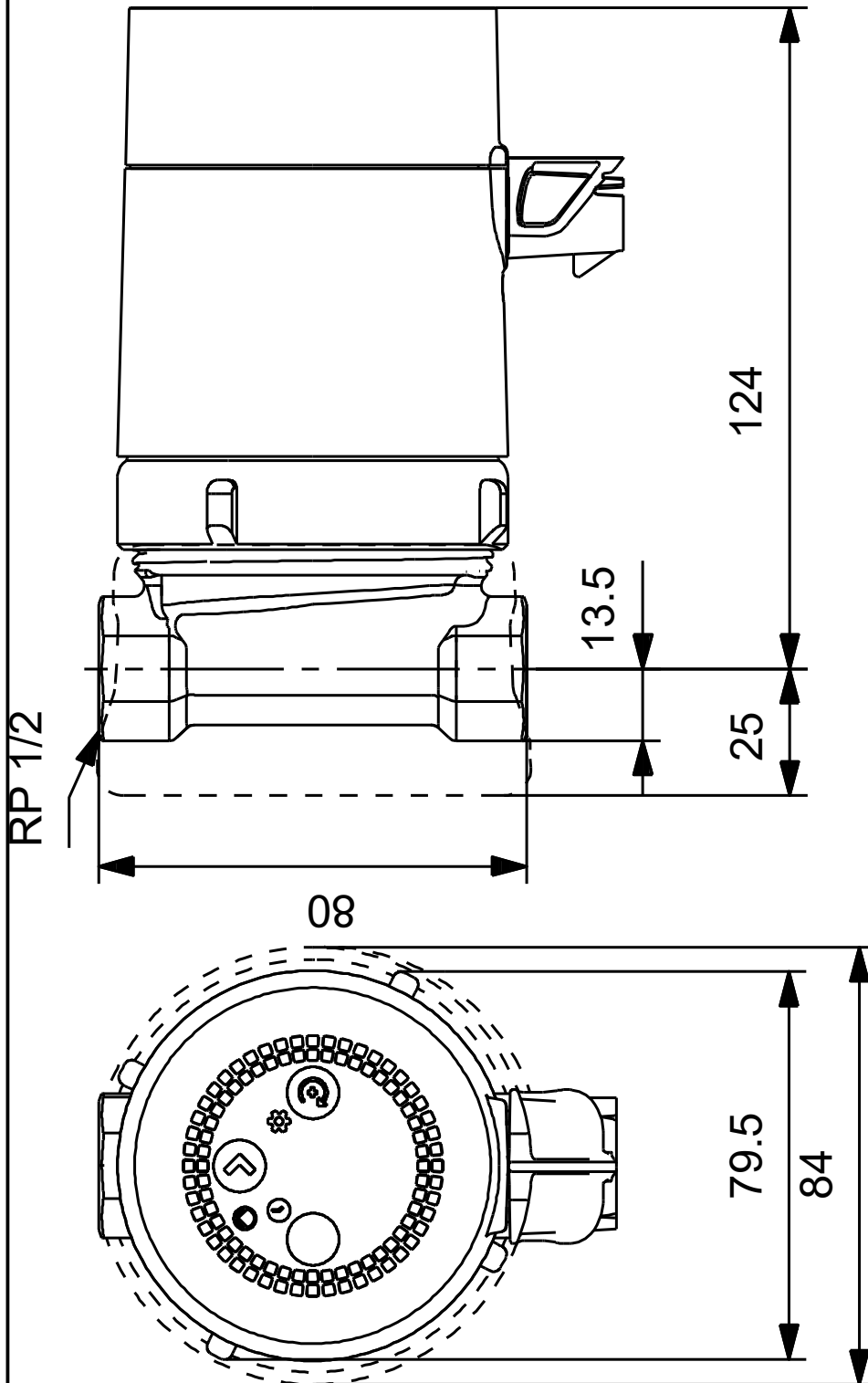
Description	Value
General information:	
Product name:	COMFORT 15-14 B TDT
Product No:	On request
EAN number:	On request
Technical:	
Speed no:	1
Rated flow:	0.45 m ³ /h
Rated head:	0.9 m
Maximum head:	14 dm
TF class:	95
Approvals:	CE,WEEE,RCM,UKCA
Materials:	
Pump housing:	Brass
Pump housing:	CuZn39Pb3, MS58
Impeller:	Composite
Impeller:	PPO-GF20/Stainless steel
Installation:	
Minimum ambient temperature:	0 °C
Maximum operating pressure:	10 bar
Type of connection:	Rp
Size of connection:	1/2 inch
Pressure rating for connection:	PN 10
Port-to-port length:	80 mm
Liquid:	
Pumped liquid:	Water
Liquid temperature range:	2 .. 95 °C
Selected liquid temperature:	60 °C
Density:	983.2 kg/m ³
Electrical data:	
Max. power input:	7 W
Mains frequency:	50 / 60 Hz
Rated voltage:	1 x 230 V
Current in speed 3:	0.07 A
Enclosure class (IEC 34-5):	IP44
Insulation class (IEC 85):	F
Built-in motor protection:	ELECT.
Thermal protec:	IMP.
Controls:	
Operation mode include:	Timer
Others:	
Net weight:	0.94 kg
Gross weight:	1.04 kg
Shipping volume:	0.003 m ³
Sales region:	Great Britain
Country of origin:	DE
Custom tariff no.:	84137030



Pumped liquid = Water
 Liquid temperature during operation = 60 °C
 Density = 983.2 kg/m³



On request COMFORT 15-14 B TDT



Note! All units are in [mm] unless others are stated.
Disclaimer: This simplified dimensional drawing does not show all details.

On request COMFORT 15-14 B TDT



Note! All units are in [mm] unless others are stated.

